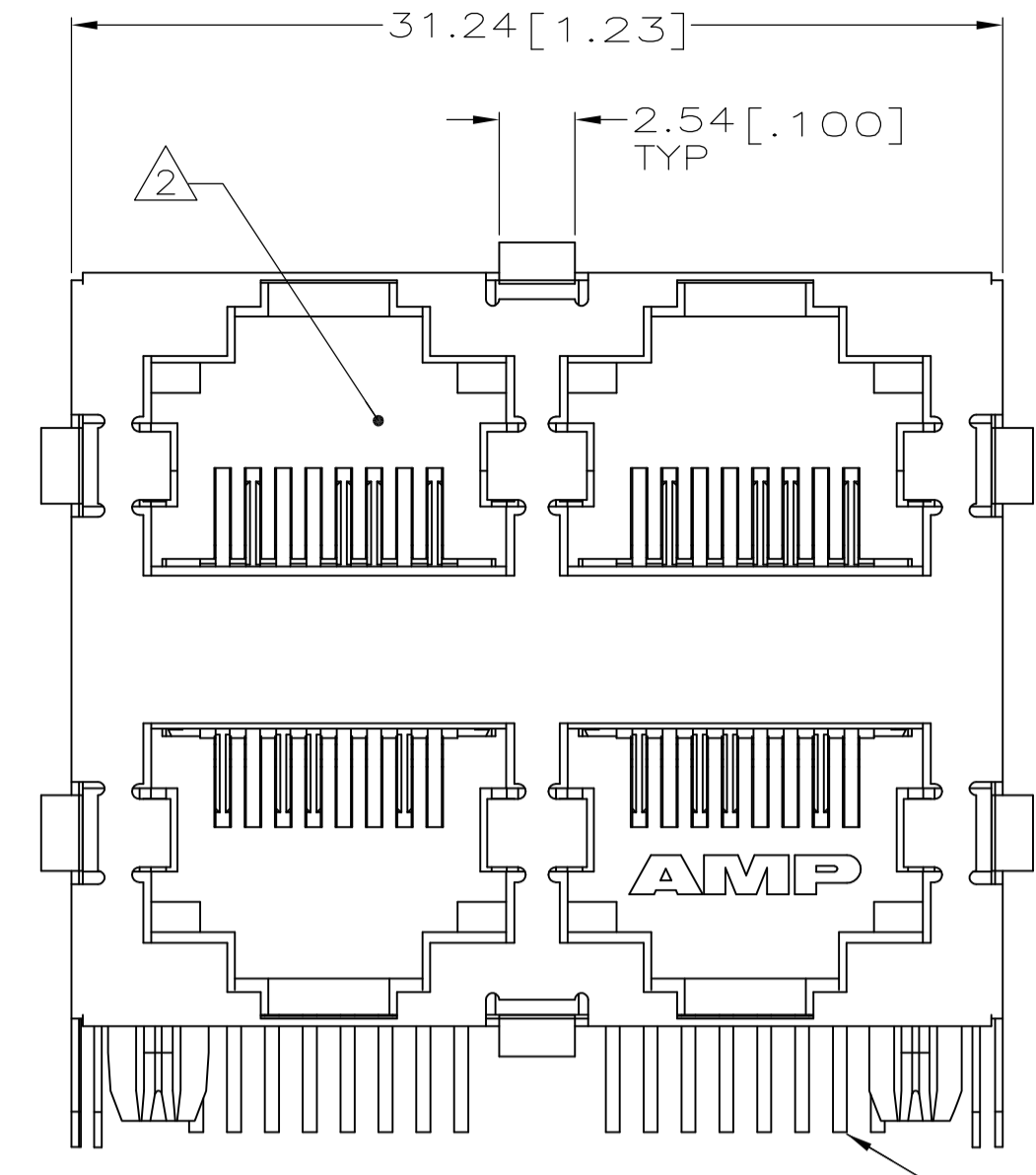
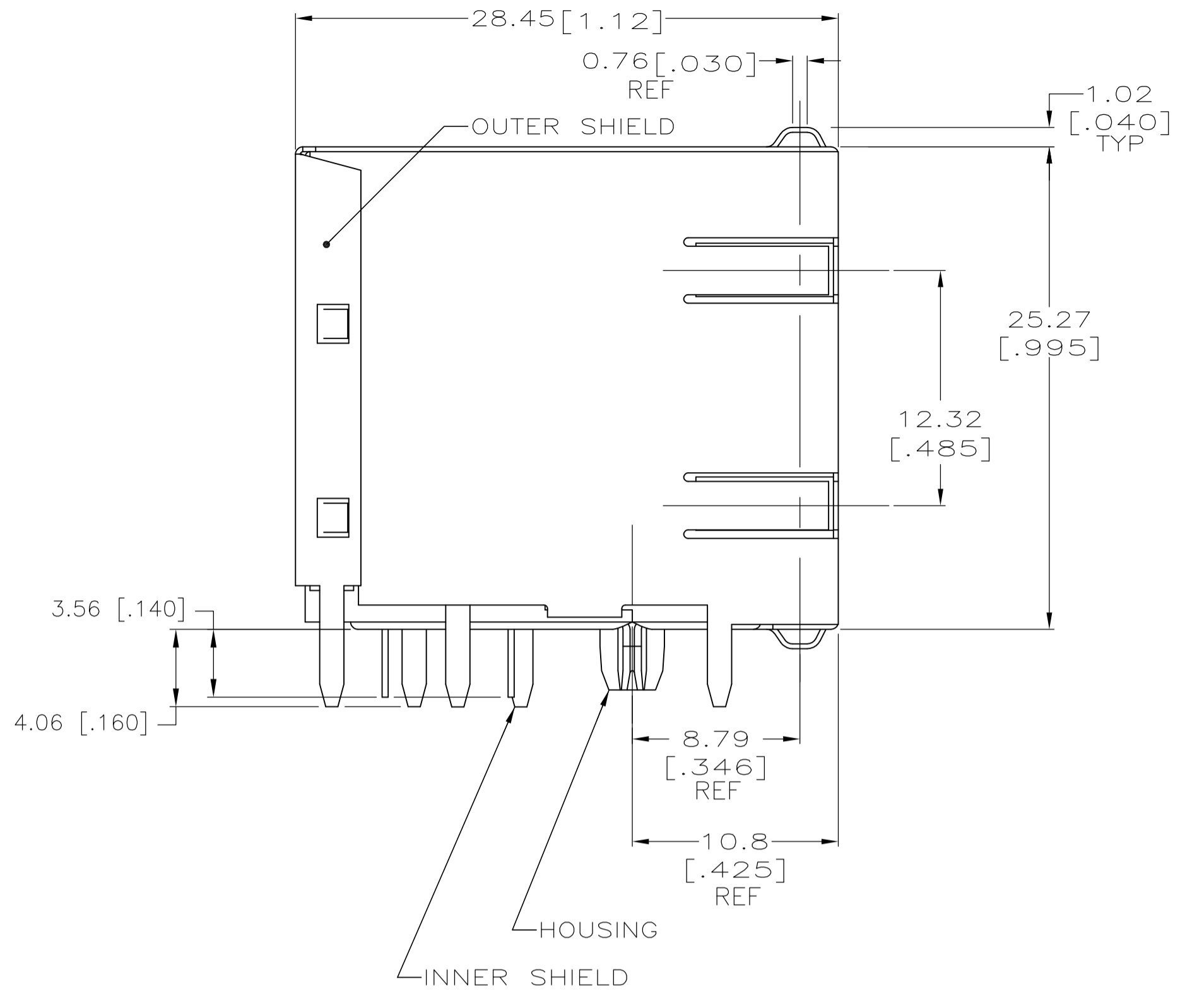
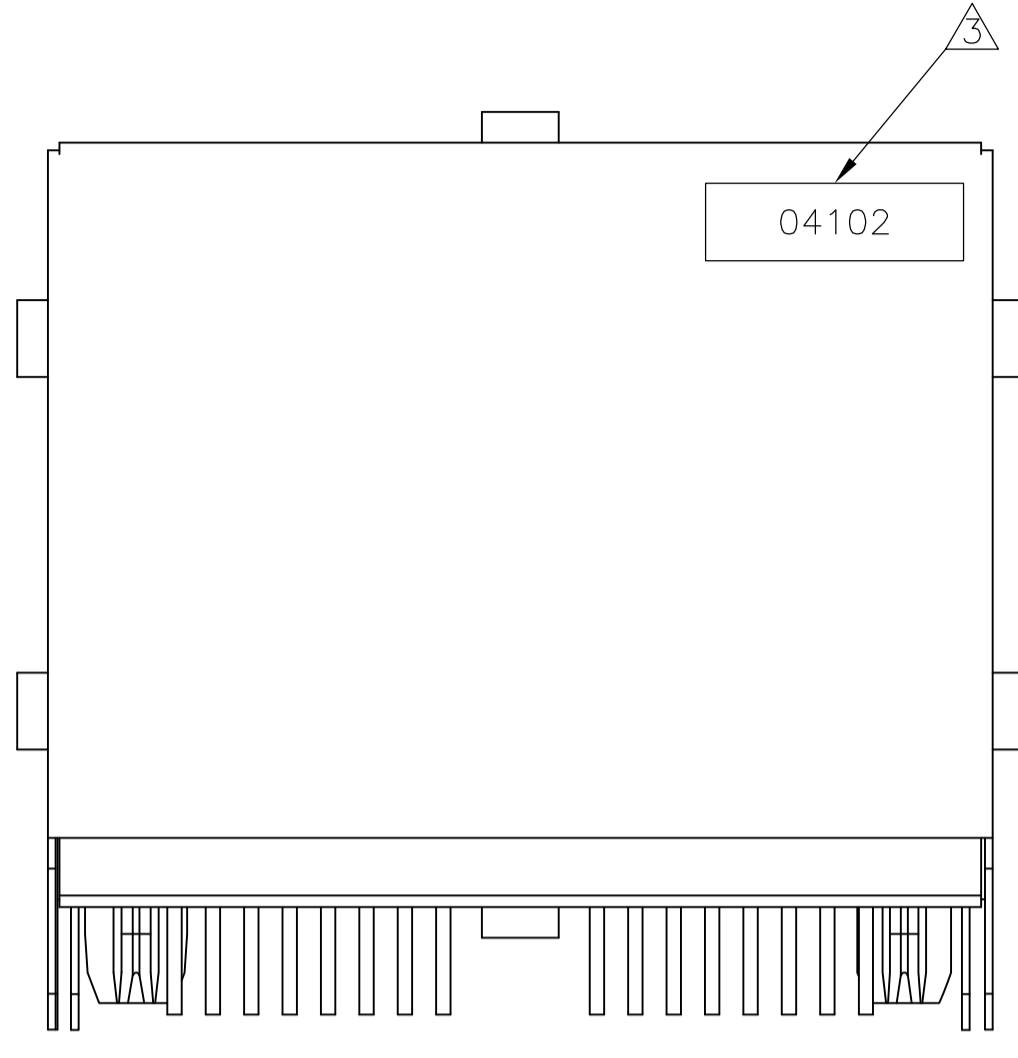


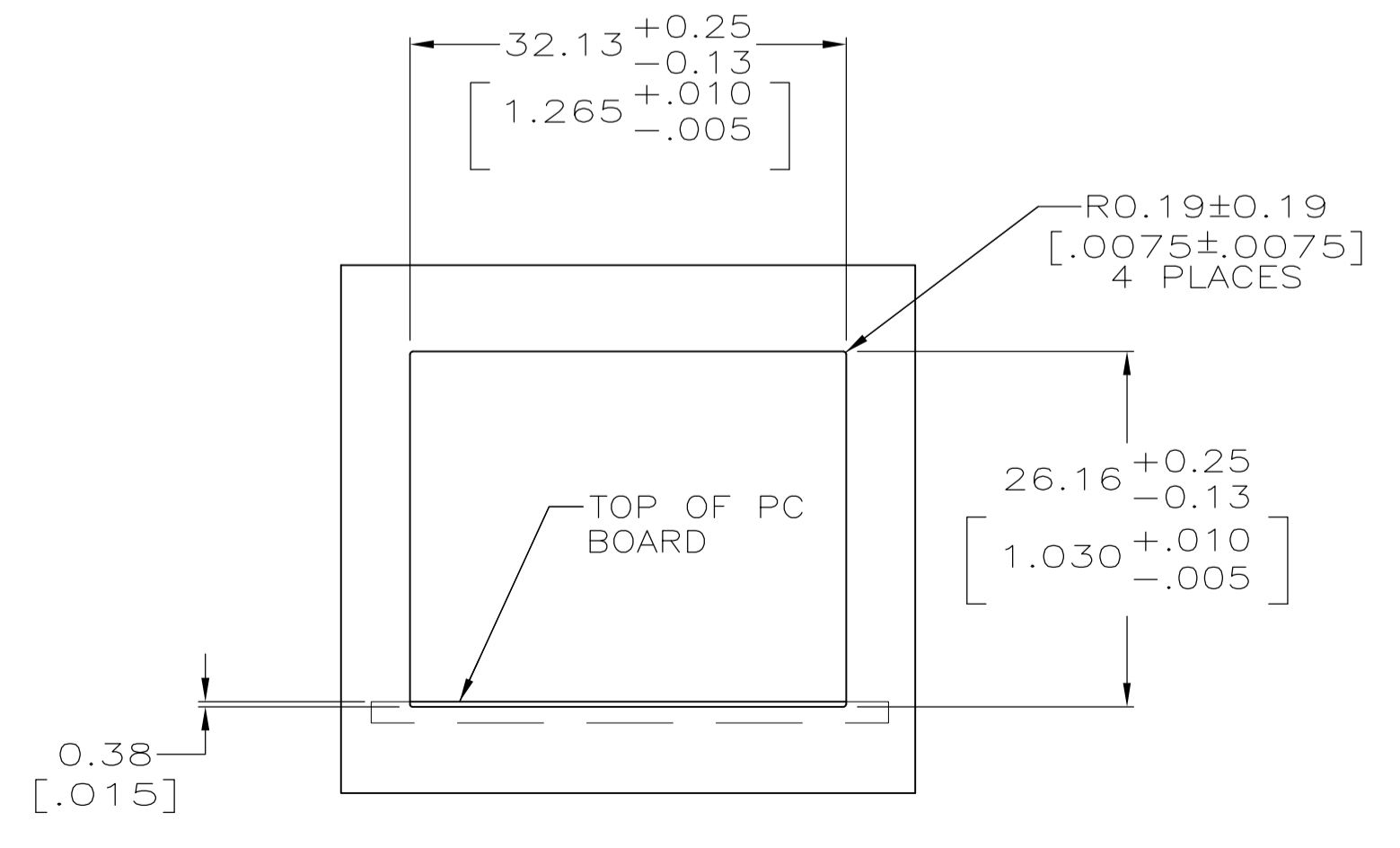
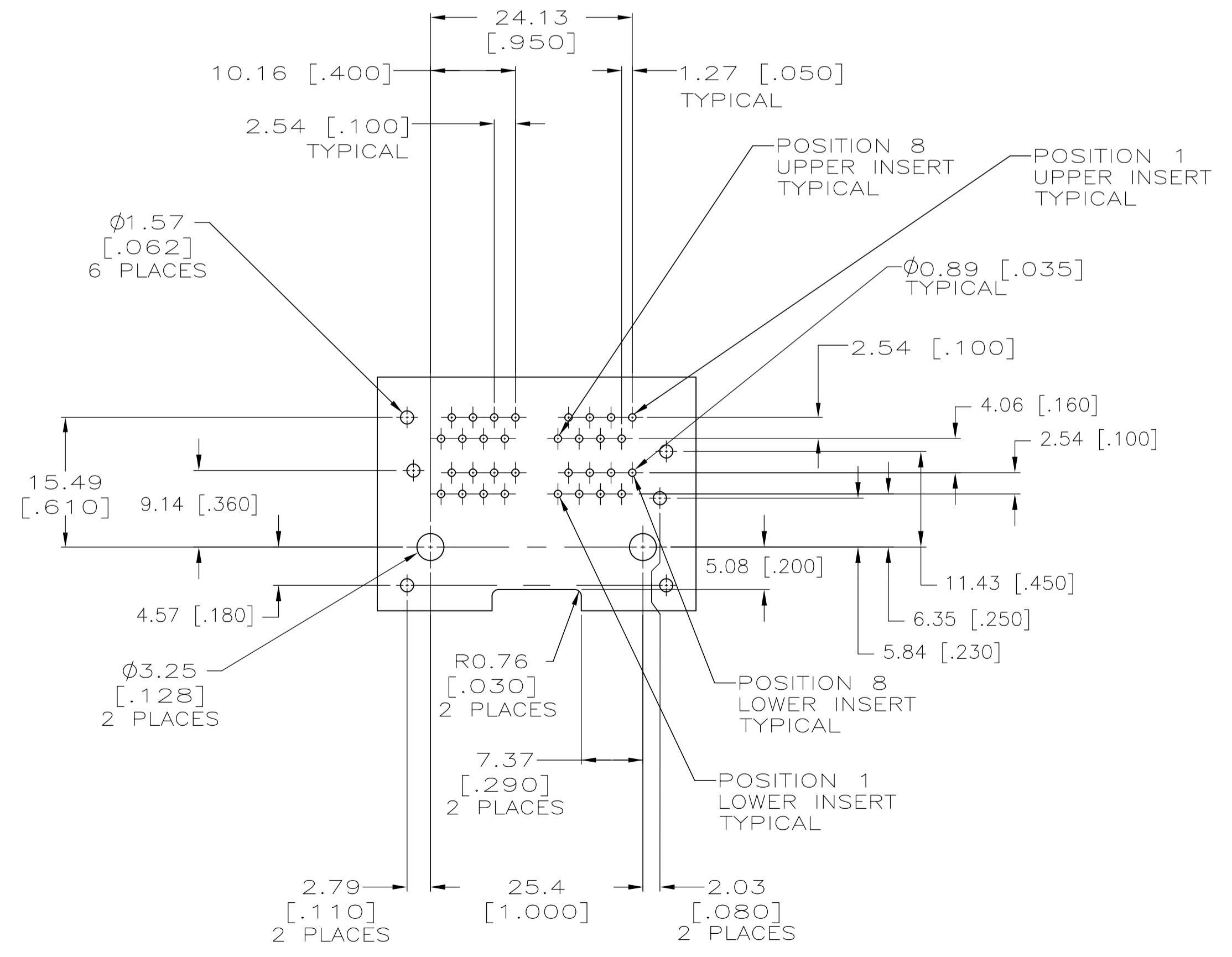
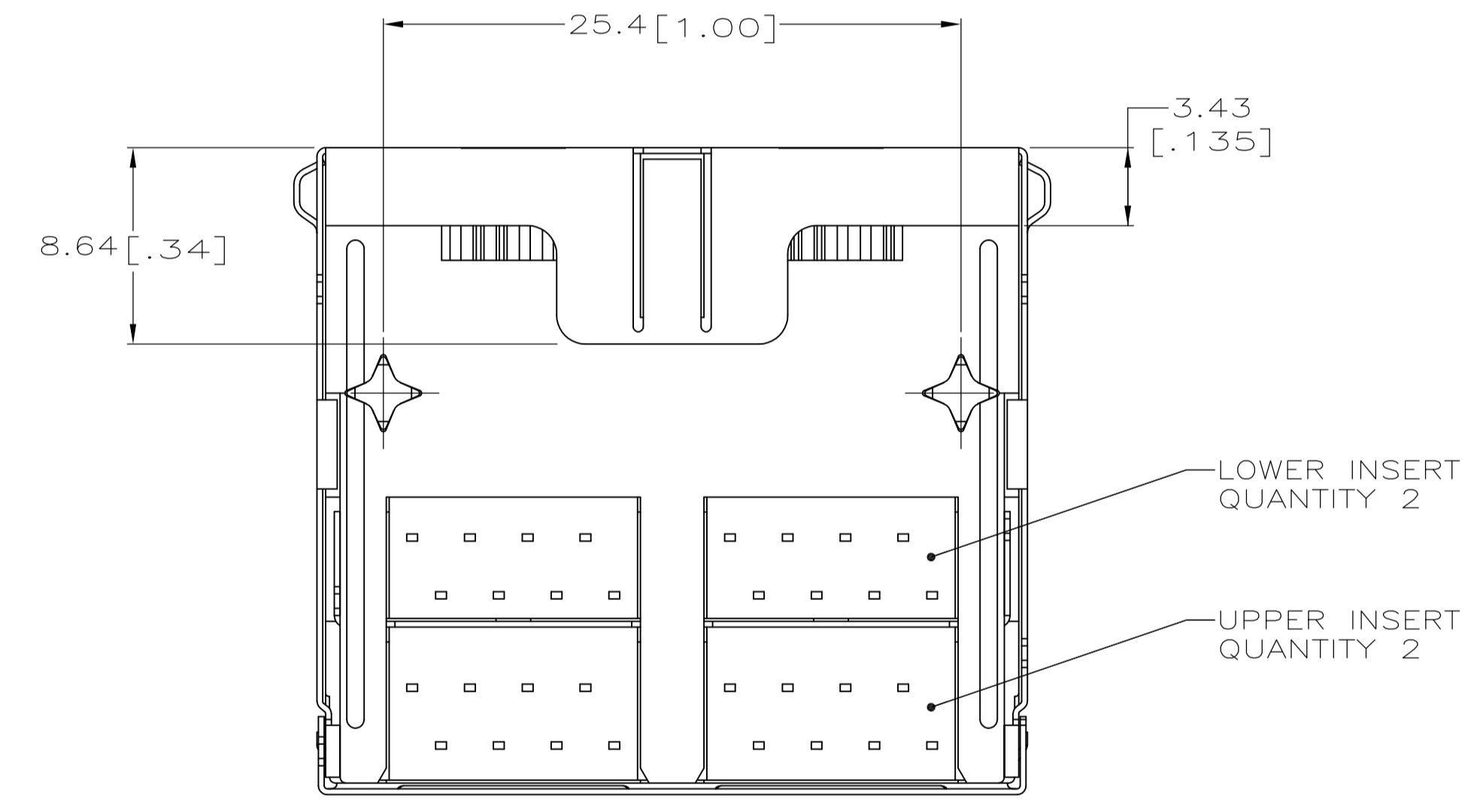
LOC		DIST		REVISIONS			
F	LTR	DESCRIPTION	DATE	DWN	APVD		
A3		REVISED PER ECO-11-005033	28MAR11	RK	HMR		



**MATERIAL:**  
 HOUSING - PCT POLYESTER, BLACK, UL94V-0.  
 OVERMOLDED TERMINAL ARRAY - PBT, BROWN.  
 TERMINALS - 0.33 [.013] THICK PHOS BRONZE PLATED WITH 1.27um [.000050] MIN THICK HARD GOLD IN LOCALIZED AREA AND 3.81um [.000150] MIN THICK MATTE TIN IN SOLDER AREA OVER 1.27um [.000050] MIN THICK NICKEL UNDERPLATE.  
 SHIELDS - 0.25 [.010] THICK COPPER ALLOY PLATED WITH 1.27 um [.000050] MINIMUM NICKEL AND 2.03 um [.000080] MINIMUM HOT TIN DIP ON PCB GROUND TABS.

**JACK CAVITY CONFORMS TO FCC RULES AND REGULATIONS, PART 68 SUBPART F.**

**DATE CODE LOCATED ON REAR OF PART APPROXIMATELY AS SHOWN:**  
 FIRST 2 DIGITS ARE LAST 2 DIGITS OF YEAR, SECOND 2 DIGITS ARE MANUFACTURING WORK WEEK, LAST DIGIT IS DAY OF WEEK, WITH SUNDAY = 1.



PC BOARD LAYOUT VIEWED FROM COMPONENT SIDE  
SCALE 2:1

SUGGESTED PANEL CUTOUT DIMENSIONS  
SCALE 2:1

THIS DRAWING IS A CONTROLLED DOCUMENT.		DIN A. FERNANDEZ-DOCK5 15JUN2005	TE Connectivity
		CHK J. WESTMAN 15JUN2005	
DIMENSIONS: mm (INCHES)	TOLERANCES UNLESS OTHERWISE SPECIFIED:	APVD S. FLICKINGER 15JUN2005	NAME
0. PLC ± -	1. PLC ± -	PRODUCT SPEC	STACKED MODULAR JACK ASSEMBLY, 2x2 PORT, 8 POSITION, SHIELDED, PANEL GROUND, CATEGORY 5
2. PLC ± 0.25(.01)	3. PLC ± 0.13(.005)	APPLICATION SPEC	108-1163-2
4. PLC ANGLES ± -		SIZE	114-2048
MATERIAL	FINISH	WEIGHT	SCALE 4:1 SHEET 1 OF 1 REV A3
		CUSTOMER DRAWING	RESTRICTED TO