

# GN 6336.3

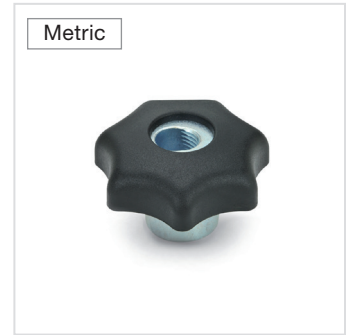
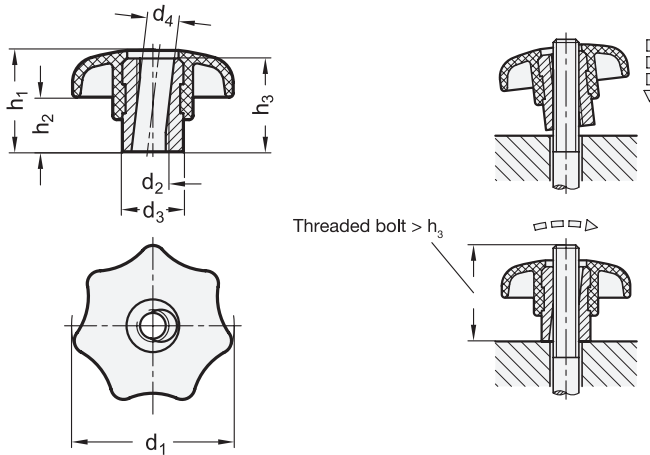
Steel / Stainless Steel

# Quick Release Star Knobs

Technopolymer Plastic



**JWWINCO**  
A Ganter Company



SS Stainless Steel

## Metric table

Dimensions in: millimeters - inches

d <sub>1</sub>	d <sub>2</sub> Thread	d <sub>3</sub>	d <sub>4</sub>	h <sub>1</sub>	h <sub>2</sub> ≈	h <sub>3</sub> min.
40 1.57	M 8	16 0.63	8.4 0.33	26 1.02	14 0.55	23.5 0.93
50 1.97	M 10	20 0.79	10.5 0.41	32 1.26	17 0.67	29 1.14
63 2.48	M 12	26 1.02	13 0.51	40 1.57	21 0.83	36 1.42

## Specification

- Star knob  
Plastic  
Technopolymer (Polyamide PA)  
- Shock-resistant  
- Black, matte finish
- Hub insert  
- Steel, zinc plated, blue passivated finish —  
- Stainless steel AISI 303 **NI**
- Plastic Characteristics → page 2135
- Stainless Steel Characteristics → page 2143
- RoHS compliant

## Information

GN 6336.3 quick release star knobs are used in such applications where the knob has to be completely removed after the releasing operation and mounted again rapidly for re-clamping.

The knob is tilted over the threaded spindle. When in position, the knob is brought into a straight position for mating of the two threads on the insert and spindle. The star knob will then have to be turned only by a fraction of a rotation to achieve clamping.

Functional safety exists only if the clamping surface lies at a right angle to the threaded bolt.

see also...

- Quick Release Knurled Nuts GN 6303.1 → page 716
- Quick Release Star Knobs GN 6336.3 with Loss Protection GN 111.7 → page 2046

<b>How to order (Steel hub)</b> 1 2 <b>GN 6336.3-50-M10</b>	1	Handle diameter d <sub>1</sub>
	2	Thread d <sub>2</sub>
<b>How to order (Stainless steel hub)</b> 1 2 3 <b>GN 6336.3-40-M8-NI</b>	1	Handle diameter d <sub>1</sub>
	2	Thread d <sub>2</sub>
	3	Hub material

1.1  
1.2  
1.3  
1.4  
2.1  
2.2  
2.3  
2.4