

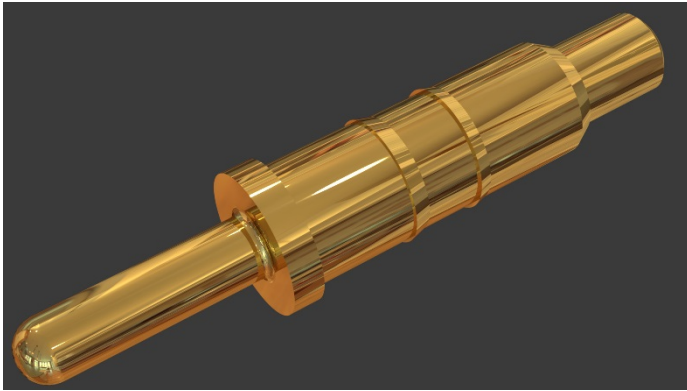
# 90147-AS

## SOLDERTAIL SPRING LOADED CONTACT

Visit us at [WWW.PRECI-DIP.COM](http://WWW.PRECI-DIP.COM)



preci-dip



### *Engineered for Success*

Assembly: Soldertail

Overall Length:

9mm (.354")

Above Board Height:

6mm (.236")

Stroke: 1.4mm (.055")

**ORDER AS:**

**90147-AS**

#### APPLICATION NOTES:

#### PRODUCT DESCRIPTION:

Preci-Dip Spring Loaded contact soldertail termination for wave or hand soldering. Every Preci-Dip spring contact is Swiss precision machined and assembled for highest quality, performance and long product life.

#### PRODUCT PACKAGING:

This product is sold in bulk but is also available but can be provided assembled in an insulator. Let us help you with your custom packaging request.

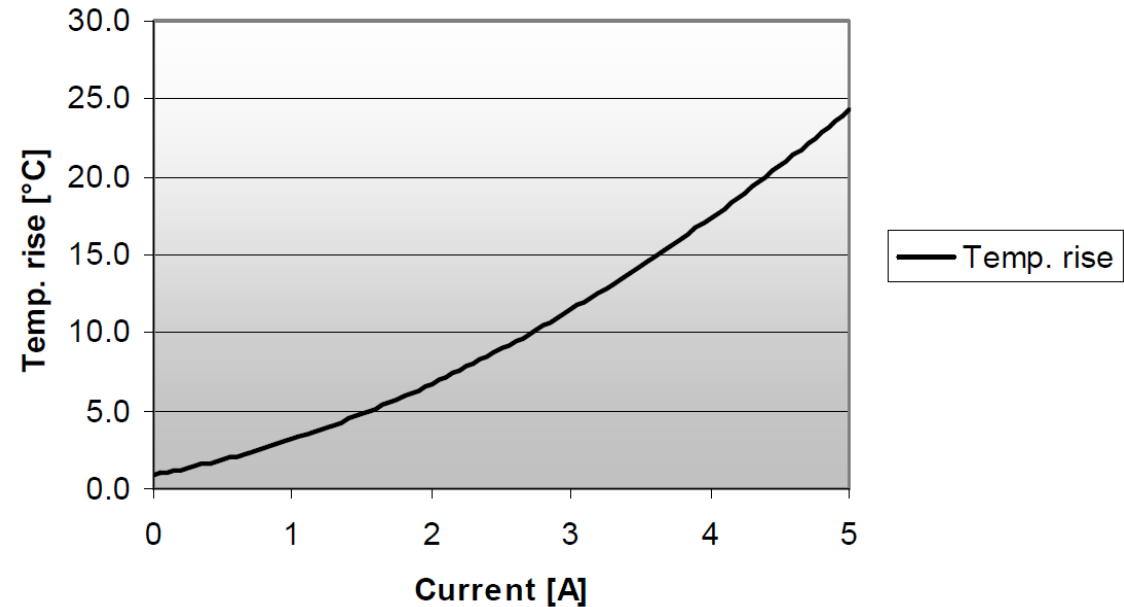
#### HOW TO USE THIS PRODUCT:

This product is ideal for PCB applications on 2.54mm (.100") grid. With solid one-piece body construction, These spring loaded contacts are typically used in docking stations, recharging stations, module stacking and pluggable SLC requirements.

#### CAN I CUSTOMIZE THIS PRODUCT?

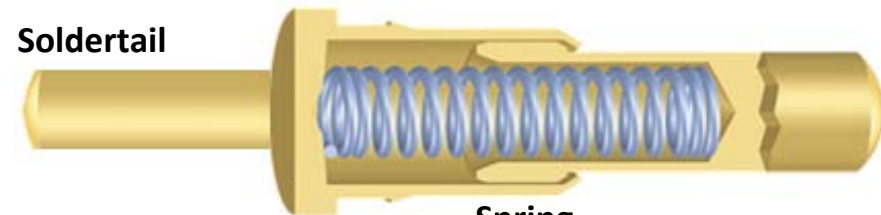
Preci-Dip welcomes custom design requests. Please provide us your spring force and packaging requirements. Call today to discuss your application.

### Temperature rise [°C]



Current: 3A continuous @ 10 ° C rise

Soldertail



Piston

Spring

#### HOW IT WORKS:

Strong, secure and featuring one piece solid body construction, there are no capped components at the bottom of this spring contact. No seams for solder to wick inside the shell.



# 90147-AS

## SOLDERTAIL SPRING LOADED CONTACT

Visit us at [WWW.PRECI-DIP.COM](http://WWW.PRECI-DIP.COM)



preci-dip

### SPECIFICATIONS:

#### MATERIAL:

Piston: Brass Alloy, plated 0.5um (20µ") Gold  
Barrel: Brass Alloy, plated 0.25um (10µ") Gold  
Spring: Music Wire plated Gold Flash

#### ELECTRICAL:

Current: 3A continuous @ @ 10 ° C rise. 5A Peak.  
Rated Voltage: 100Vrms 150Vdc  
Contact Resistance: 20mΩ max..

#### ENVIRONMENTAL

Operating Temperature: -55 to 125° C  
Passed Vibration Test Sinusoidal per IEC 512.6d / IEC 68-2-6  
Passed Shock Test per IEC 512.6d / IEC 68-2-27  
No electrical discontinuity greater than 1µs.

#### SPRING CONTACT FEATURES:

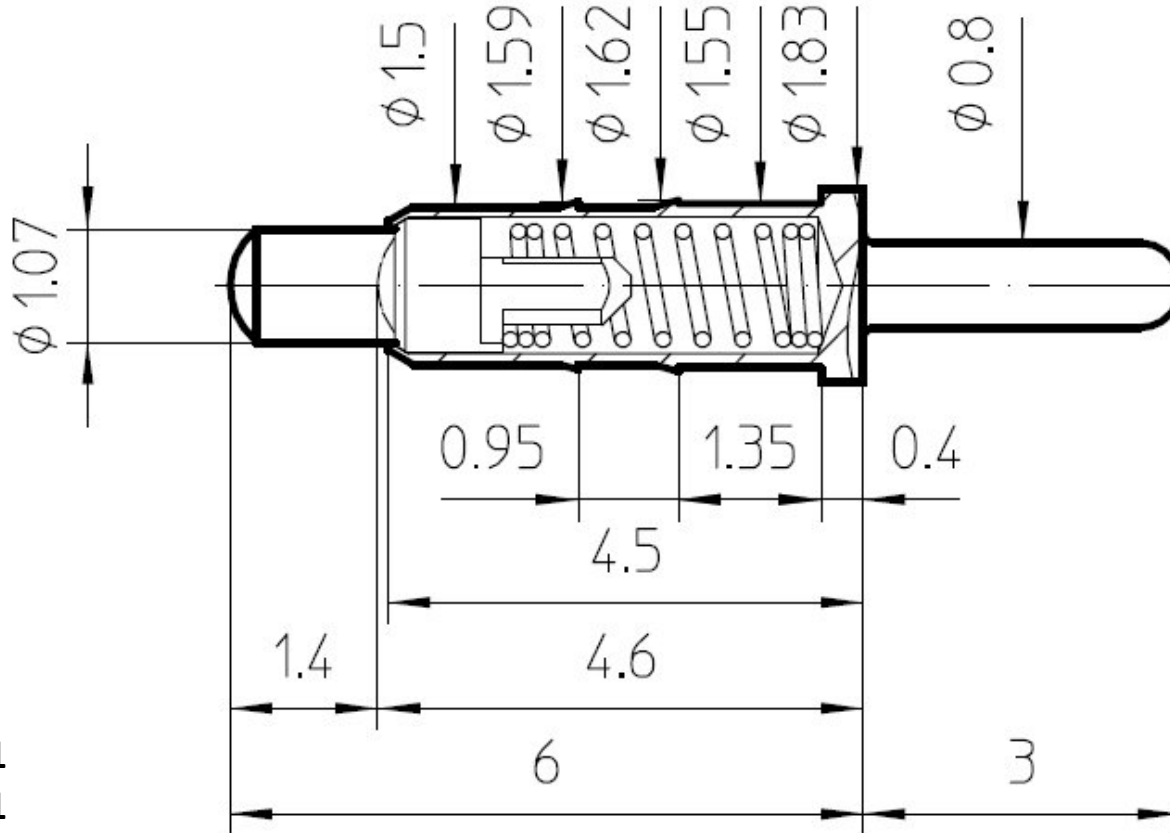
- \* Swiss Experience
- \* Swiss Quality
- \* Swiss precision machined components
- \* Seamless shell construction
- \* Press-fit barb on barrel for packaging
- \* Gold plating for corrosion resistance.
- \* Smooth piston travel
- \* High quality, smooth surface finish on tip of piston.
- \* Strong and durable construction
- \* RoHs

See 90147-AS in an insulator:

**811-S1-NNN-10-014101**

**813-S1-NNN-10-014101**

Note about S1 plating:  
Barrel = 0.25um Gold  
Piston = 0.50um Gold



#### MECHANICAL

Durability: Minimum 40,000 cycles.  
Stroke: 1.4mm (.055")  
Working Travel: 6-4.65mm (.236-.183")  
Force: Initial .25N  
Half-Stroke .85N

#### HOW TO CUSTOMIZE A SPRING CONTACT

##### Specify:

1. Stacking distance between boards
2. Desired piston stroke
3. Desired spring force
4. Desired current rating.
5. Termination style SMT, Solder tail, Wire
6. Desired Cycle life

