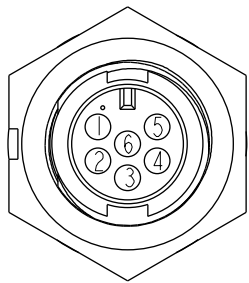
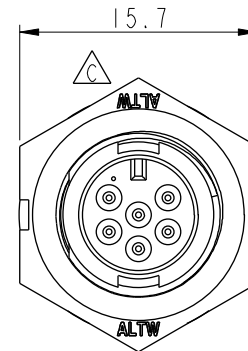
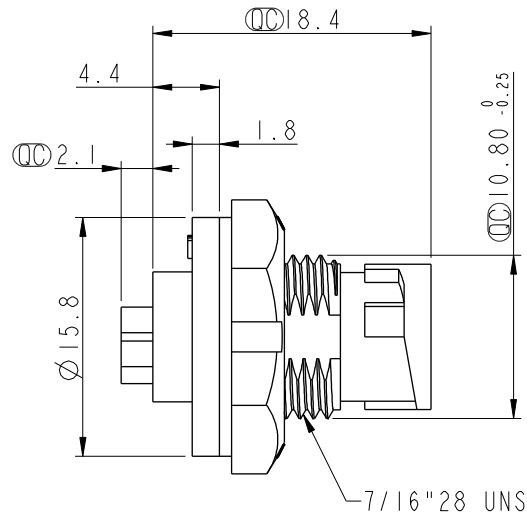
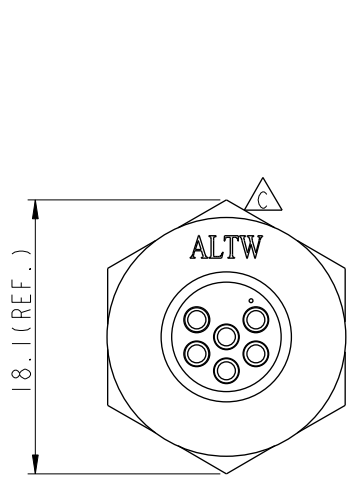
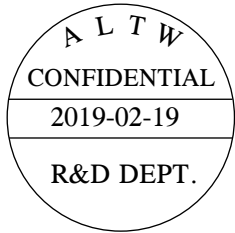
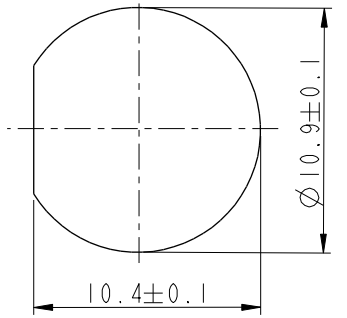


THIS DOCUMENT IS SUBJECT TO CHANGE WITHOUT NOTICE. IT IS CONFIDENTIAL AND A PROPERTY OF AMPHENOL LTW. DISCLOSURE TO THIRD PARTY HAS TO BE AUTHORIZED BY AMPHENOL LTW.

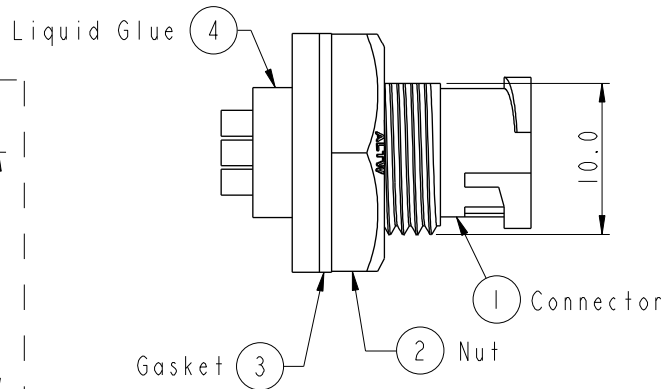
REV.	ECN NO.	DATE	SIGN	DESCRIPTION
B	LEN-8A0156	2008/09/15	Shin	Add Notes
C	LEN1610005	2015/12/25	Kaven	Update Logo
D	CI90268	2019/02/19	Ruru	Modify Note



Pin Assignments
Front View



Recommended Panel Cut-Out



Note:

- * Important Dimension.
- * Waterproof Rate: IP67, Unmated
- * Housing: Thermoplastic, Black
- * Pin: Copper Alloy, Gold Plated
- * Nut: Thermoplastic, Black
- * Gasket: Rubber, Black
- * Use with waterproof cap or dust cap
Panel Thickness max: 2.5mm
- * Use without waterproof cap or dust cap
Panel Thickness max: 3.5mm
- * Gasket and Nut are packed separately in PE bags.

UNIT:mm	
TOLERANCE	
.X	±0.25
.XX	±0.1
.XXX	±0.05
ANGLES	±1°

TITLE Mini Panel Lock 6Pin M Conn M Pin			
SCALE 2:1	SIZE A4	SHEET 1 OF 1	
REV. D	WC-REV. A.6	: Inspection item	

Amphenol LTW
安費諾亮泰企業股份有限公司

ITEM NO AU-06PMMS-LC7001	DRAWN BY Ruru	DATE 2019-02-19
DWG NO AU-06PMMS-LC7001	CHECKED BY Rita	DATE 2019-02-19
CUSTOMER ALTW	APPROVED BY Max	DATE 2019-02-19