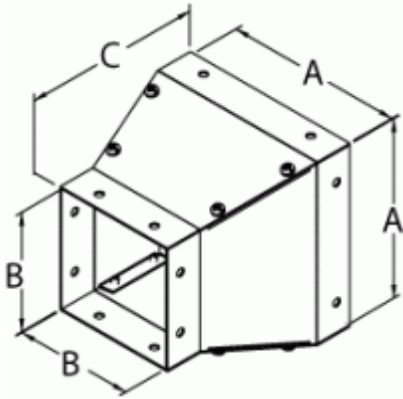




*Quality Products. Service Excellence.*

## Reducer *CWRD Series*



### Painted Steel

Part No.	Size
CWRD42	4x4 to 2.5x2.5
CWRD64	6x6 to 4x4
CWRD86	8x8 to 6x6
CWRD108	10x10 to 8x8
CWRD128	12x12 to 8x8
CWRD1210	12x12 to 10x10

### Unpainted Galvanized

Part No.	Size
CWRD42G	4x4 to 2.5x2.5
CWRD64G	6x6 to 4x4
CWRD86G	8x8 to 6x6
CWRD108G	10x10 to 8x8
CWRD128G	12x12 to 8x8
CWRD1210G	12x12 to 10x10

*Data subject to change without notice*

© 2021. Hammond Manufacturing Ltd. All rights reserved.