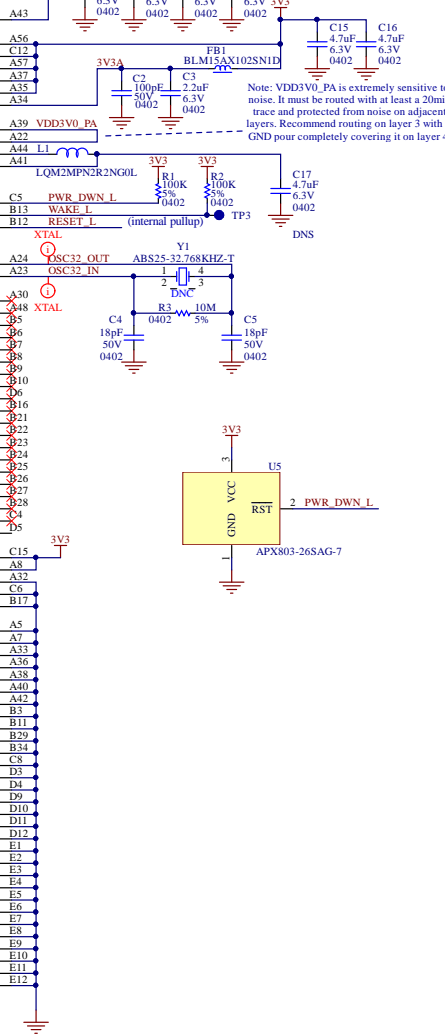
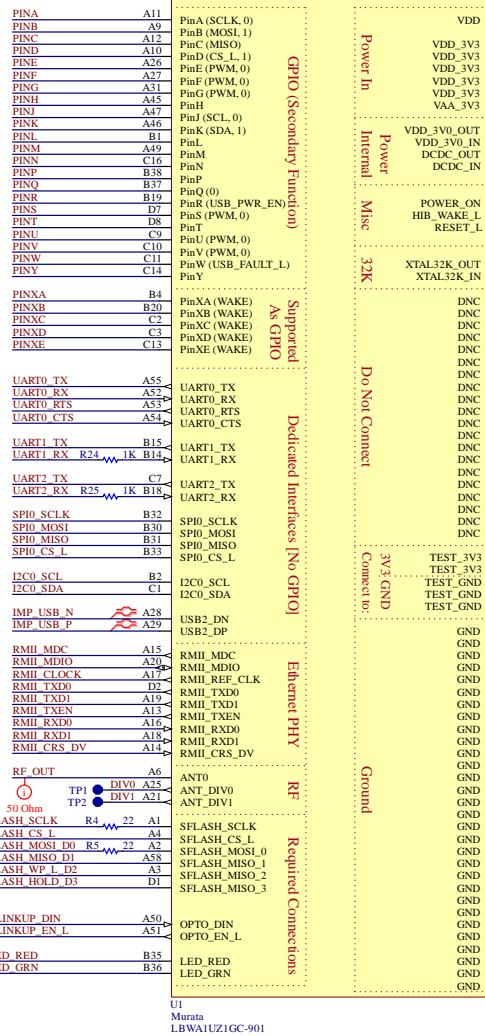


# imp005 Module

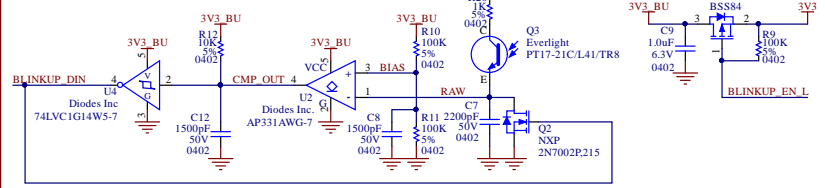


Note: UART1 is required for RF test mode. Recommend that it be broken out on all designs

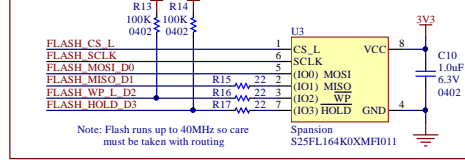
Note: RMII runs at 50MHz so care must be taken with routing

Note: Flash runs up to 40MHz so care must be taken with routing

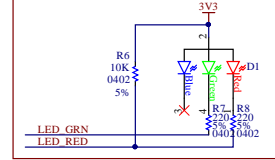
## Free Run Digital BlinkUp



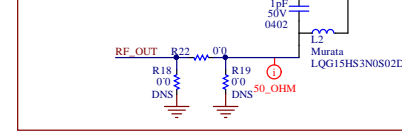
## QSPI Flash



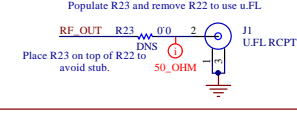
## Status LEDs



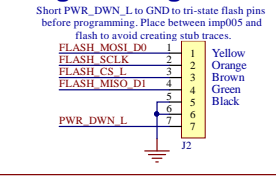
## Antenna



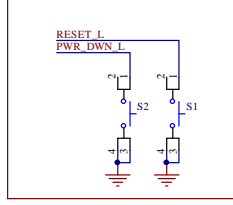
## Optional RF Connector



## Optional Flash Programming Header



## Optional Buttons



Copyright © 2016, Electric Imp Inc.

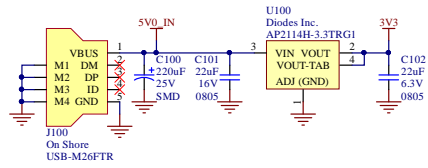
Permission is hereby granted, free of charge, to any person obtaining a copy of this work and associated documentation files (the "Work"), to deal in the Work without restriction, including without limitation the rights to use, copy, modify, merge, publish, distribute, sublicense, and/or sell copies of the Work, and to permit persons to whom the Work is furnished to do so, subject to the following conditions:

The above copyright notice and this permission notice shall be included in all copies or substantial portions of the Work.

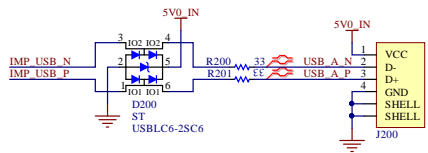
THE WORK IS PROVIDED "AS IS", WITHOUT WARRANTY OF ANY KIND, EXPRESS OR IMPLIED, INCLUDING BUT NOT LIMITED TO THE WARRANTIES OF MERCHANTABILITY, FITNESS FOR A PARTICULAR PURPOSE AND NONINFRINGEMENT. IN NO EVENT SHALL THE AUTHORS OR COPYRIGHT HOLDERS BE LIABLE FOR ANY CLAIM, DAMAGES OR OTHER LIABILITY, WHETHER IN AN ACTION OF CONTRACT, TORT OR OTHERWISE, ARISING FROM, OUT OF OR IN CONNECTION WITH THE WORK OR THE USE OR OTHER DEALINGS IN THE WORK.

Design: **imp005-breakout** Rev: **6.0** Electric Imp  
 5150 El Camino Real, Ste C-31  
 Los Altos, CA 94022  
 File Z:\ehardware\imp005\imp005-breakout\imp005-breakout-imp\_Sch.Doc

## Power Connector 3.3V LDO

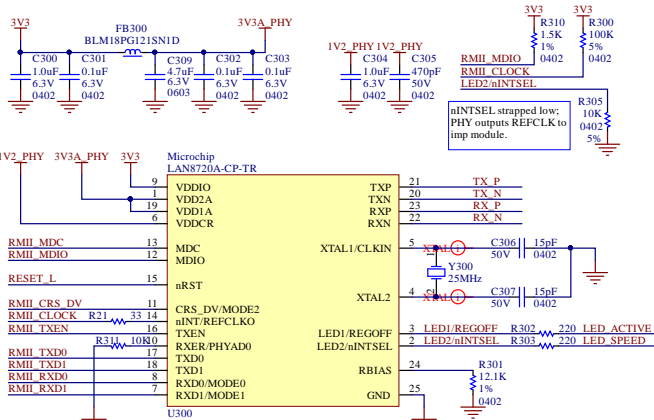


## USB Host Connector (Type A)

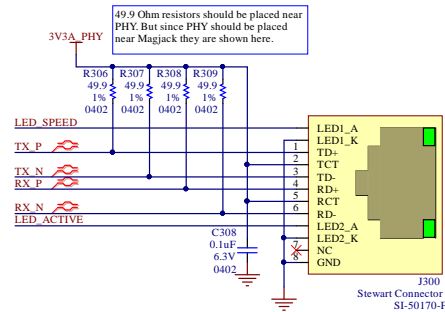


## Ethernet

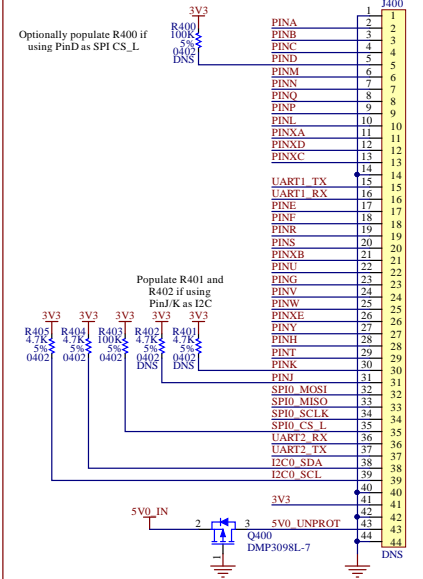
### RMII PHY



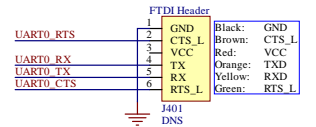
### Ethernet Jack (Integrated Magnetics)



## IO Breakout



## UART Breakout



Copyright © 2016, Electric Imp Inc.

Permission is hereby granted, free of charge, to any person obtaining a copy of this work and associated documentation files (the "Work"), to deal in the Work without restriction, including without limitation the rights to use, copy, modify, merge, publish, distribute, sublicense, and/or sell copies of the Work, and to permit persons to whom the Work is furnished to do so, subject to the following conditions:

The above copyright notice and this permission notice shall be included in all copies or substantial portions of the Work.

THE WORK IS PROVIDED "AS IS" WITHOUT WARRANTY OF ANY KIND, EXPRESS OR IMPLIED, INCLUDING BUT NOT LIMITED TO THE WARRANTIES OF MERCHANTABILITY, FITNESS FOR A PARTICULAR PURPOSE AND NONINFRINGEMENT. IN NO EVENT SHALL THE AUTHORS OR COPYRIGHT HOLDERS BE LIABLE FOR ANY CLAIM, DAMAGES OR OTHER LIABILITY, WHETHER IN AN ACTION OF CONTRACT, TORT OR OTHERWISE, ARISING FROM, OUT OF OR IN CONNECTION WITH THE WORK OR THE USE OR OTHER DEALINGS IN THE WORK.

Design: **imp005-breakout** Rev: **6.0** Electric Imp  
5150 El Camino Real, Ste C-31  
Los Altos, CA 94022  
Sheet: 2 of 2 Date: 1/16/2018 Time: 4:22:26 PM  
File Z:\ie-hardware\imp005\imp005-breakout\imp005-breakout-commodora SchDoc

