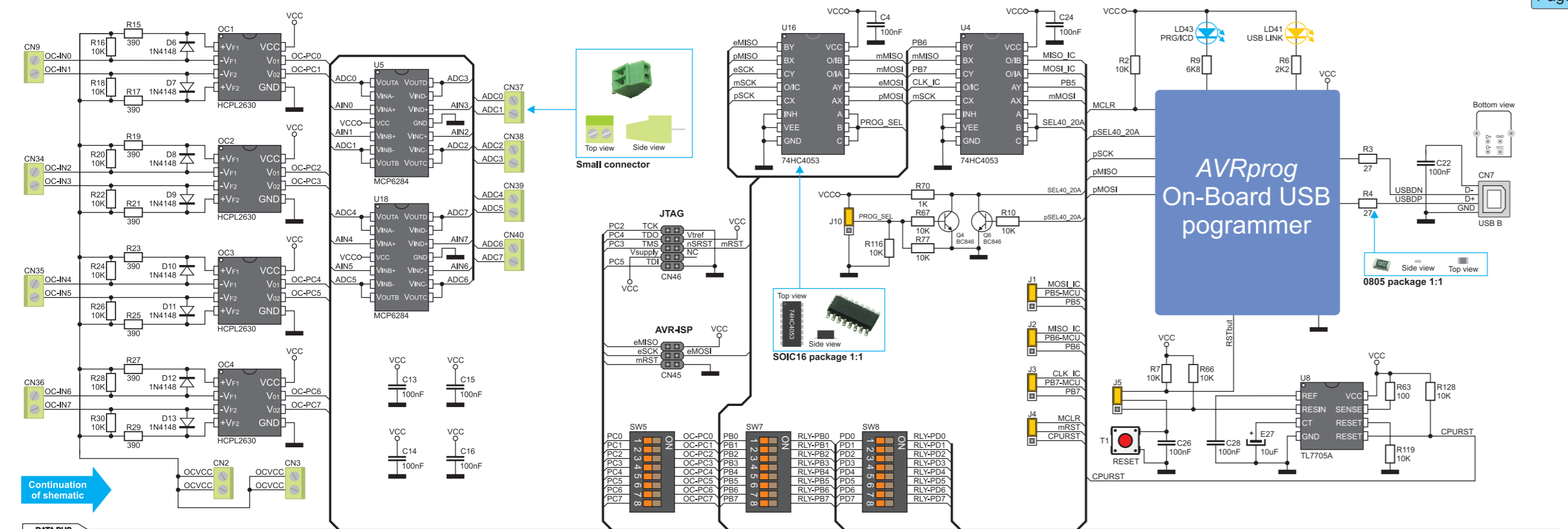


AVRPLC16 v6™

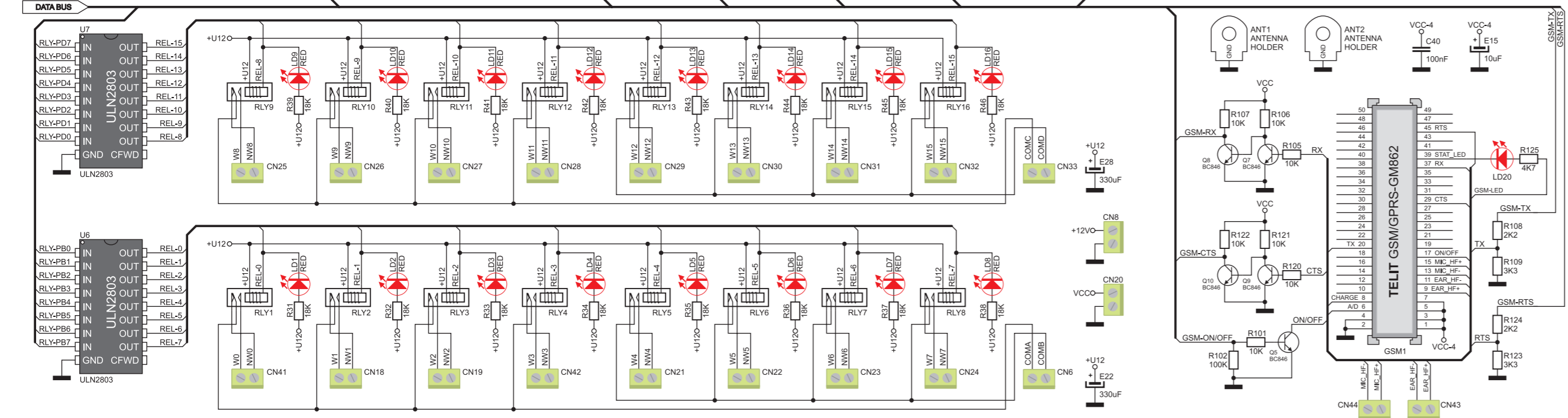
Electrical schematic

This document provides a complete electrical schematic of the PICPLC16 v6 development system. Such device has been designed carefully and due attention has been paid to choosing components thereof. This is why the most important parts of the system are manufactured in SMD (Surface Mounting Device) technology. Besides, the components are mounted by machines of the last generation using lead-free alloy for soldering. What we have now as a result is a high quality and reliable product that meets the world's highest standards being applied in electronics industry and environmental protection.

Development system



Continuation of schematic



Built-in SMD component cases overview

<p>Symbol</p> <p>1:1 Side view Top view</p> <p>0805</p>	<p>Symbol</p> <p>1:1 Side view Top view</p> <p>0805</p>	<p>Symbol</p> <p>1:1 Side view Top view</p> <p>ELCO10 SMD</p>	<p>Symbol</p> <p>1:1 Side view Top view</p> <p>ELCO10 SMD</p>	<p>Symbol</p> <p>1:1 Side view Top view</p> <p>Case B</p>
<p>Symbol</p> <p>1:1 Side view Top view</p> <p>Ferrite 1206</p>	<p>Symbol</p> <p>1:1 Side view Top view</p> <p>12.7x12.7mm</p>	<p>Symbol</p> <p>1:1 Side view Top view</p> <p>IND 1812</p>	<p>Symbol</p> <p>1:1 Side view Inside view Top view</p> <p>6x6 Push button</p>	<p>Symbol</p> <p>1:1 Side view Top view</p> <p>TO-263</p>
<p>Symbol</p> <p>1:1 Side view Top view</p> <p>SMD Quartz</p>	<p>Symbol</p> <p>1:1 Side view Bottom view</p> <p>SMD Quartz</p>	<p>Symbol</p> <p>1:1 Side view Top view</p> <p>SMA</p>	<p>Symbol</p> <p>1:1 Side view Top view</p> <p>PLCC-2 SMD LED</p>	<p>Symbol</p> <p>1:1 Side view Top view</p> <p>SMB</p>
<p>Symbol</p> <p>1:1 Top view Side view</p> <p>1.EMITTER 2.BASE 3.COLLECTOR</p> <p>SOT23</p>	<p>Symbol</p> <p>1:1 Top view Side view</p> <p>1.EMITTER 2.BASE 3.COLLECTOR</p> <p>SOT23</p>	<p>Symbol</p> <p>1:1 Side view Top view</p> <p>SOIC8</p>	<p>Symbol</p> <p>1:1 Side view Top view</p> <p>SOIC16</p>	<p>Symbol</p> <p>1:1 Side view Top view</p> <p>TSSOP-24pin</p>
<p>Symbol</p> <p>1:1 Side view Top view</p> <p>Relay</p>	<p>Symbol</p> <p>1:1 Side view Top view</p> <p>Battery holder</p>	<p>Symbol</p> <p>1:1 Side view Top view</p> <p>Small connector</p>	<p>Jumpers and selectors</p> <p>1 2 All pins are free 1 2 Pins 1 and 2 are connected</p> <p>1 2 3 All pins are free 1 2 3 Pins 1 and 2 are connected Pins 2 and 3 are disconnected</p>	<p>DIP switches</p> <p>Switches 1, 2, 3 and 4 are ON</p> <p>Switches 5, 6, 7 and 8 are OFF</p> <p>DIP-SW6</p>

