

**FEATURES**

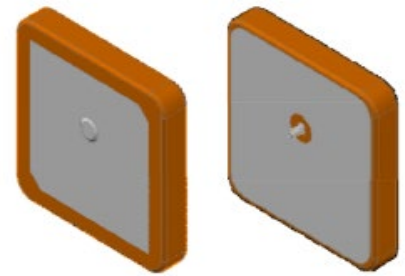
- High Gain, Compact
- Pin Type
- RoHS Compliant

**APPLICATION**

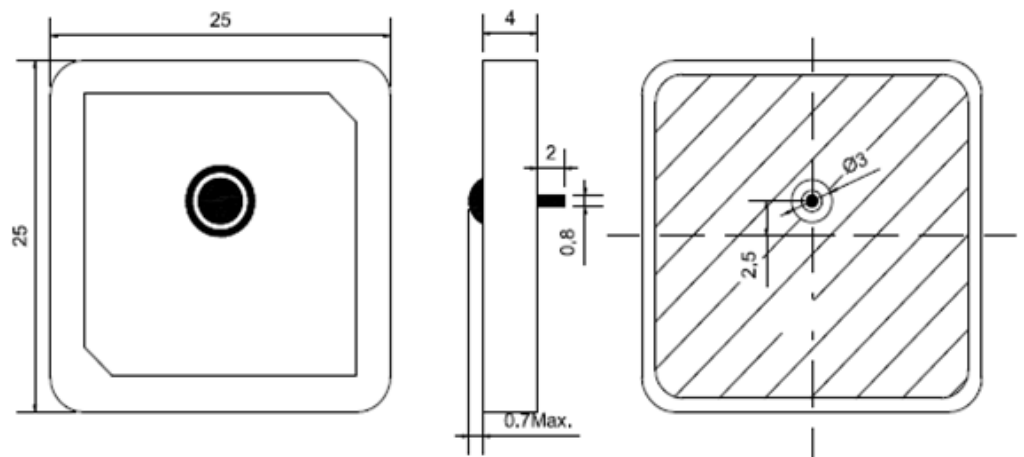
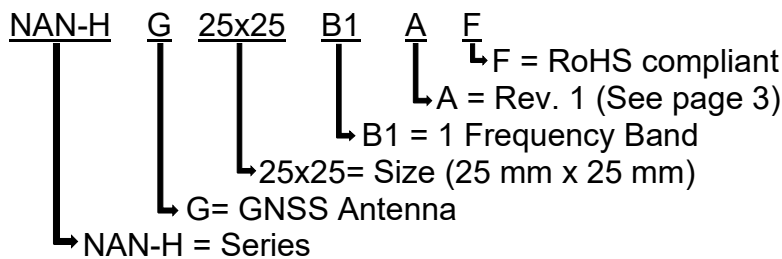
- Tracking
- Fleet Management

**SPECIFICATIONS**

<b>Electrical</b>	
Center Frequency	1596 ± 3 MHz
Bandwidth @ 10db RL	≥ 12 dB
Polarization	RHCP
Gain	2.0 dBi (Zenith)
Return Loss	≥ 15 dB
Impedance	50Ω
Axial Ratio	≤ 5.0
<b>Dimensions (mm):</b>	
Length	25 ± 0.30
Width	25 ± 0.30
Height	4 ± 0.30
Ground Plane	27 x 27 mm



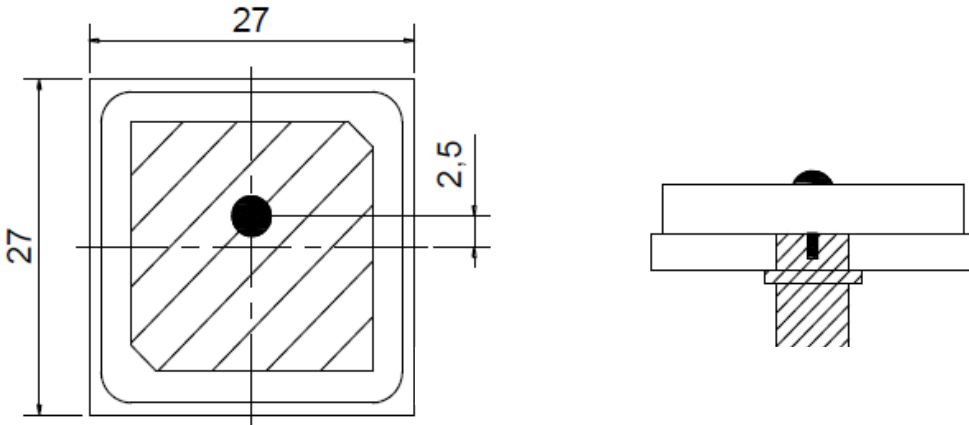
**RoHS Compliant**  
includes all homogeneous materials  
(see part numbering system for details)



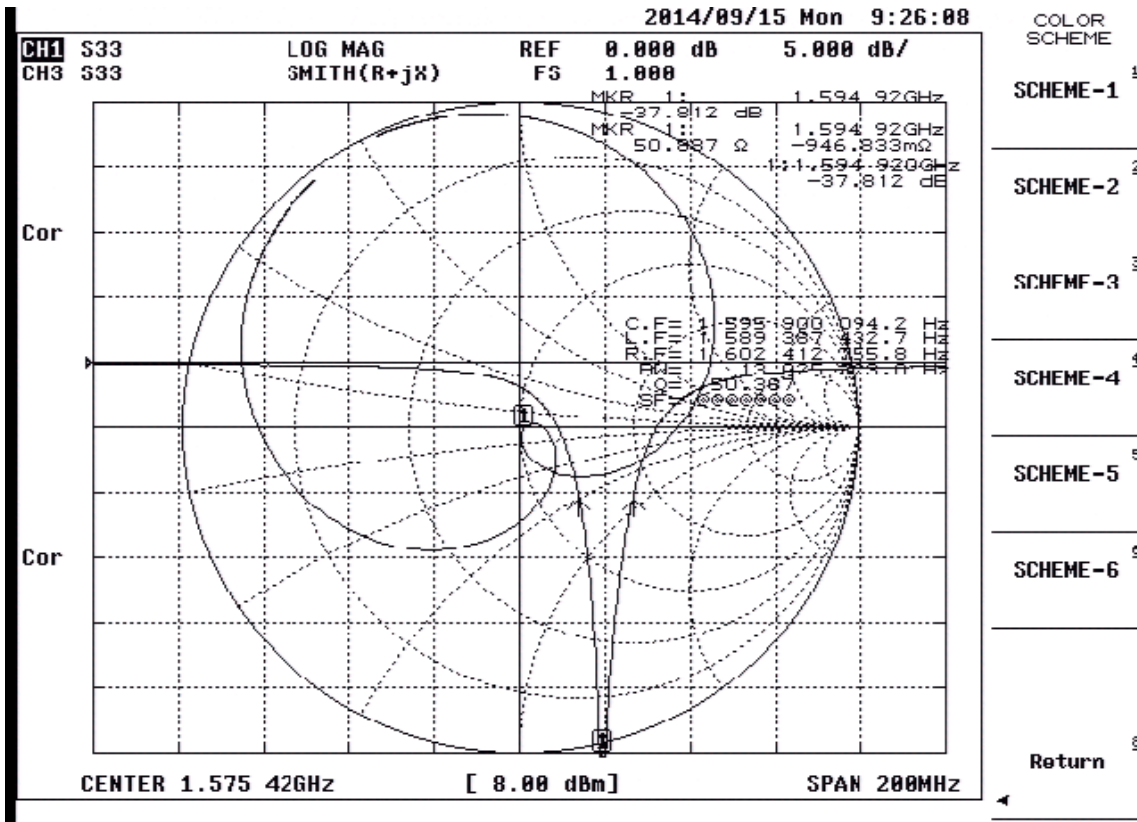
Tolerance Unless Otherwise Specified: ±0.30  
Unit: mm

<b>Environmental</b>	
Operating Temperature	-40°C~+85°C
Frequency Temperature Coefficient	±20 ppm/°C
RoHS Compliant	Yes

**TEST FIXTURE**



**ANTENNA PATTERN**



**Revision History and Status**

Revision	Date Issued	Details	Status
<b>A</b>	Dec 4 <sup>th</sup> , 2020	Initial Release	Supported

- NIC Technical Support: [tpmg@niccomp.com](mailto:tpmg@niccomp.com)
- Compliance Support: [rohs@niccomp.com](mailto:rohs@niccomp.com)