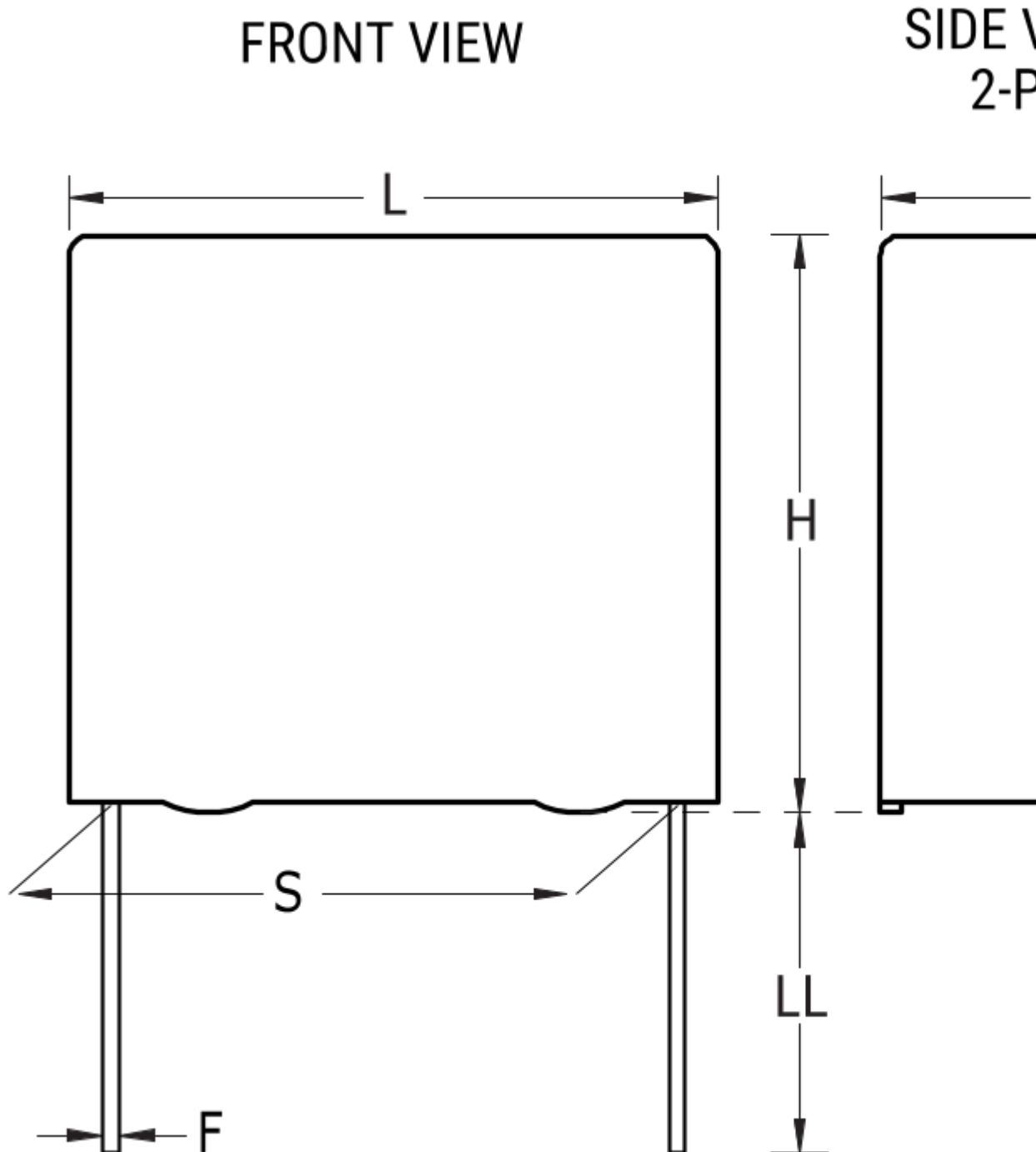


# PHE820EF6470MR06L2

## Aliases (F720FG474M300C)

Not for New Design • Recommended Replacement Series R46 X2 310 VAC

PHE820E/F720, Film, Metallized Polyester, Safety, 0.47 uF, 20%, 300 VAC (X2), 760 VDC, 100°C, Lead Spacing = 27.5mm



Click [here](#) for the 3D model.

### Dimensions

L 31.5mm MAX  
H 22.5mm MAX  
T 11.5mm MAX  
S 27.5mm +/-0.4mm  
LL 6mm -1mm  
F 0.8mm NOM  
G 0.5mm NOM

### Packaging Specifications

Packaging Bulk, Bag  
Packaging Quantity 198

### General Information

Series PHE820E/F720  
Dielectric Metallized Polyester  
Style Radial  
Features EMI Safety  
RoHS Yes  
Lead Wire Leads  
Safety Class X2  
Qualifications ENEC, UL, cUL  
AEC-Q200 No  
THB Performance No  
Component Weight 8.19 g  
Miscellaneous SRF= 1.9 MHz.  
Notes Not for new design – the replacement series is: R46 X2 310VAC.

### Specifications

Capacitance 0.47 uF  
Capacitance Tolerance 20%  
Voltage AC 300 VAC (X2)  
Voltage DC 760 VDC  
Temperature Range -40/+100°C  
Rated Temperature 100°C  
Dissipation Factor 1% 1kHz  
Insulation Resistance 21.277 GOhms  
Max dV/dt 100 V/us

Statements of suitability for certain applications are based on our knowledge of typical operating conditions for such applications, but are not intended to constitute - and we specifically disclaim - any warranty concerning suitability for a specific customer application or use. This Information is intended for use only by customers who have the requisite experience and capability to determine the correct products for their application. Any technical advice inferred from this Information or otherwise provided by us with reference to the use of our products is given gratis, and we assume no obligation or liability for the advice given or results obtained.