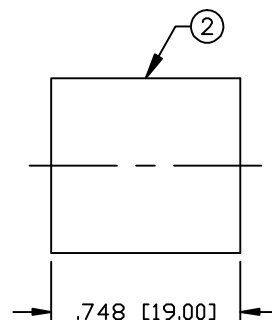
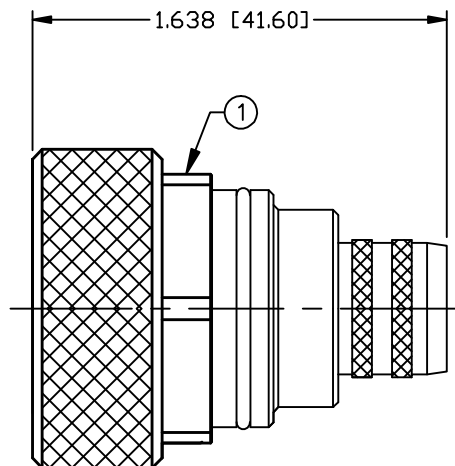


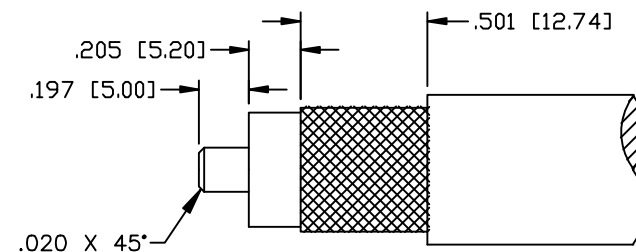
PART NO.

RFD-1604-2L2

REV	DESCRIPTION	DWN	DATE	APPROVED
C	UPDATED CONNECTOR DWG & CABLE STRIP DIMENSIONS	DM	3/17/20	JDMc



RECOMMENDED CRIMP DIE: .60"



RECOMMENDED STRIPPING DIMENSIONS

SPECIFICATIONS:

IMPEDANCE: 50 Ohms
 FREQUENCY RANGE: 0-7.5 GHz
 PEAK POWER: 13.2 KW max.
 AVERAGE POWER: 3.0 KW max.
 TEMPERATURE RANGE: -55°C TO 85°C
 FOR TIMES LMR-600 & T-COM-600
 RoHS COMPLIANT

#	DESCRIPTION	MATERIAL	FINISH
1	7/16 MALE CONNECTOR	BRASS	SILVER
2	FERRULE	BRASS	SILVER

CUSTOMER
OUTLINE DRAWINGALL DIMENSIONS
ARE REFERENCE ONLYUNLESS OTHERWISE SPECIFIED:
DIMENSIONS ARE IN INCHES
AND [MILLIMETERS]

DRAWN	D.McREYNOLDS	3/17/20
CHECKED		
ORJ DRAWN	D. McREYNOLDS	3/6/00

PROPRIETARY AND CONFIDENTIAL
 THIS DRAWING CONTAINS
 INFORMATION PROPRIETARY TO
 RF INDUSTRIES. ANY
 UNAUTHORIZED USE OF THIS
 DRAWING IS EXPRESSLY
 PROHIBITED WITHOUT WRITTEN
 PERMISSION FROM RF
 INDUSTRIES. ANY VIOLATION IS
 PUNISHABLE UNDER U.S.
 COPYRIGHT LAWS.

RFconnectors
 DIVISION OF RF INDUSTRIES, LTD.

RFINDUSTRIES.COM
 7610 MIRAMAR RD.
 SAN DIEGO, CA 92126
 (858) 549-6340
 (858) 549-6345 FAX

7-16 DIN PLUG, CRIMP

CABLE GROUP	DWG #	REVISION	
L2	RFD-1604-2L2	C	
FORMAT	SCALE	CONTROL #	SHEET
A	NTS	000000	1 OF 1