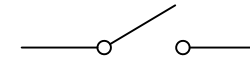
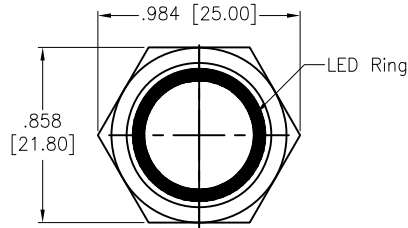


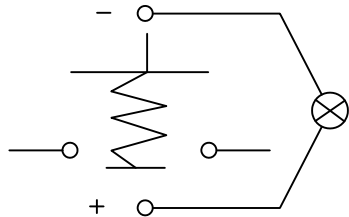
APPROVED: _____
 DATE: _____ TITLE: _____

Rev	AWO #	Description	Date	Appr
-		RELEASED	11/23/20	

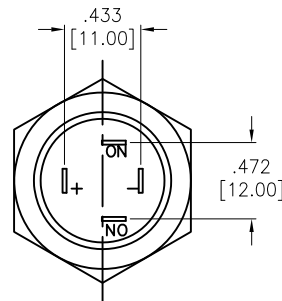
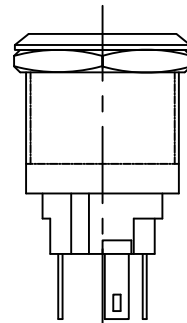
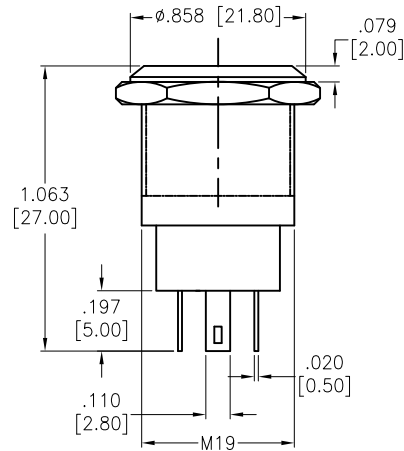


CIRCUIT DIAGRAM
(SPST)

Z= Latching
 S= Momentary
 SW-PB7-1X-A-RX-H-X-G2A



SCHEMATIC



	LED Color
Blank	Standard Black
W	White
R	Red
G	Green
Y	Yellow (Amber)
B	Blue
O	Orange
S	Silver
RG	Red/Green
RY	Red/Yellow
RB	Red/Blue
RW	Red/White
GB	Green/Blue
RGB	Red/Green/Blue
RGY	Red/Green/Yellow
RGW	Red/Green/White
RBY	Red/Blue/Yellow
RBW	Red/Blue/White

	LED Voltage
1	3V
2	6V
3	12V
4	24V
5	48V
6	110V
7	220V

SPECIFICATIONS:

Material:
 The crust material: Stainless steel, Copper plated Nickel
 Electrical:
 Switch Rating: 5A, 250VAC
 Contact resistance: 30 mΩ max
 Insulation resistance: 100 Mohms min (500VDC)
 Dielectric withstanding voltage: 2000 VAC
 Temperature Rating:
 Operating temperature: -25°C to +55°C
 Environmental:
 Lead free, RoHS compliant



UNLESS OTHERWISE SPECIFIED
 ALL DIMENSIONS ARE INCHES [MM]
 TOLERANCES: EXCEPT AS NOTED

INCHES		HOLES	
.X	± .10	Ø.X	± .10
.XX	± .020	Ø.XX	± .015
.XXX	± .015	Ø.XXX	± .010



909 Rahway Avenue,
 Union, NJ 07083
 Phone: 908-687-5000
 Fax: 908-687-5710

APPROVALS		DATE
DRAWN	OW	11/23/20
CHECKED	AC	11/23/20
APPROVED		

TITLE			SWITCH, ANTI-VANDAL, SPST, 19MM SOLDER TYPE, RING ILLUMINATED		
SIZE	PART NO.	REV.			
X	SW-PB7-1X-A-RX-H-X-G2A	-			
REF:	-	SCALE:	NTS	SHEET 1 OF 1	