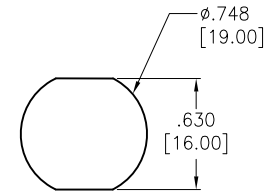
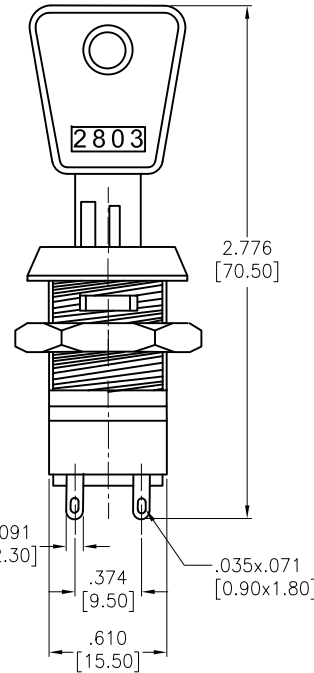
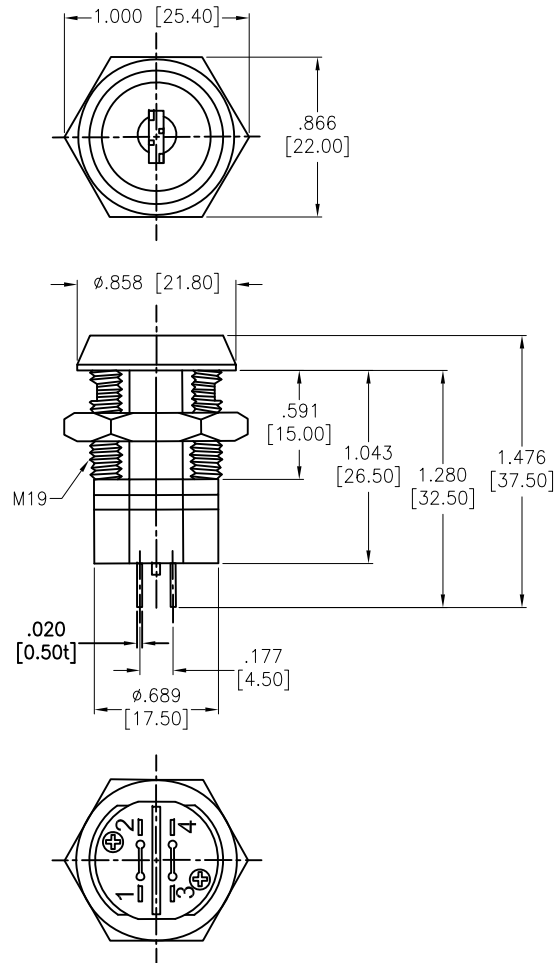
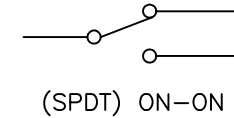


APPROVED: _____
 DATE: _____ TITLE: _____

Rev	AWO #	Description	Date	Appr
-		RELEASED	8/10/21	



RECOMMENDED PANEL CUT



SW-R-K11B-X

Function	
A	Key pulled on both positions. Note: this would be our standard
B	Key pulled on 1 position

SPECIFICATIONS:

Material:
 Body: Steel, Polished Chrome
 Electrical:
 The rated load: 125 VAC, 4A
 250 VAC, 2A
 28 VDC, 4A
 Contact resistance: 20 mΩ max
 Insulation resistance: 100 MΩ min (500VDC)
 Dielectric withstanding voltage: 1000 VAC for 1 minute
 Mechanical life: ≥ 10000 Cycles
 Temperature Rating:
 -20°C to +85°C
 Environmental:
 Lead free, RoHS compliant



UNLESS OTHERWISE SPECIFIED ALL DIMENSIONS ARE INCHES [MM]. TOLERANCES: EXCEPT AS NOTED

INCHES		HOLES	
.x	$\pm .10$	$\phi .x$	$\pm .10$
.xx	$\pm .020$	$\phi .xx$	$\pm .015$
.xxx	$\pm .015$	$\phi .xxx$	$\pm .010$

DRAWN	WX	8/10/21
CHECKED	RC	8/10/21
APPROVED		

THIS DRAWING CONTAINS INFORMATION THAT IS PROPRIETARY AND SHOULD NOT BE USED WITHOUT PRIOR WRITTEN PERMISSION FROM ADAM TECH



909 Rahway Avenue,
 Union, NJ 07083
 Phone: 908-687-5000
 Fax: 908-687-5710

TITLE SWITCH, KEY LOCK, 19MM, 4P, SPDT, ON-ON
 PANEL MOUNT, SOLDER TERMINAL

SIZE X	PART NO. SW-R-K11B-X	REV. -
REF: S00206C	SCALE: NTS	SHEET 1 OF 1