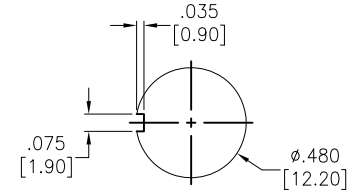
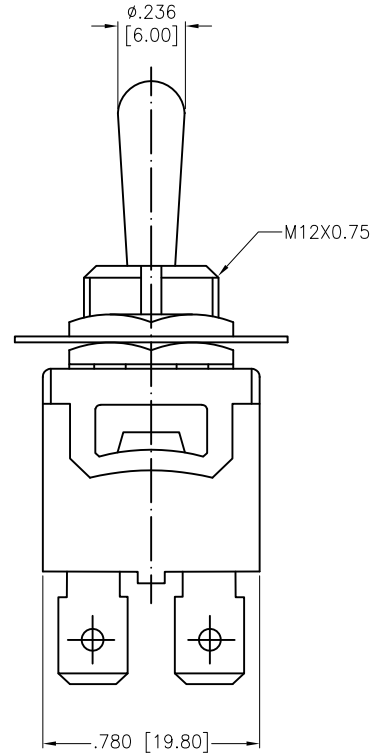
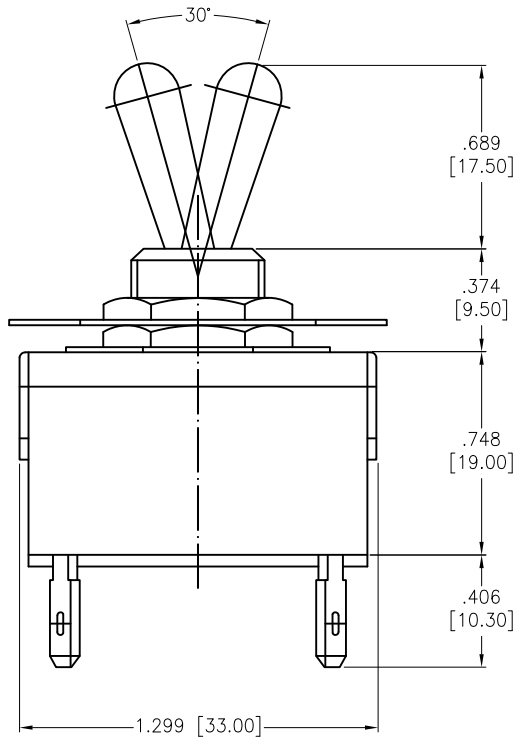
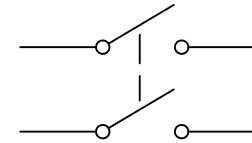


APPROVED: \_\_\_\_\_  
 DATE: \_\_\_\_\_ TITLE: \_\_\_\_\_

Rev	AWO #	Description	Date	Appr
-		RELEASED	8/10/21	



RECOMMENDED  
 PANEL CUT-OUT



CIRCUIT DIAGRAM  
 (DPST)

SW-T1-3X-E-K2  
 A=ON-OFF  
 C=OFF-(ON)

**SPECIFICATIONS:**

Material:  
 Body: Bakelite, Color: Black  
 Lever: Brass, Nickel plated  
 Terminal: Brass, Silver plated  
 Electrical:  
 Rating: 10A @ 250V AC  
 15A @ 125V AC  
 Contact resistance: 50 mΩ max  
 Insulation resistance: 1000 MΩ min (500VDC)  
 Dielectric withstanding voltage: 1500V AC for 1 minute  
 Electrical Life: 10,000 cycles  
 Temperature Rating:  
 Operating temperature: -25°C to +85°C  
 Environmental:  
 Lead free, RoHS compliant



UNLESS OTHERWISE SPECIFIED ALL DIMENSIONS  
 ARE INCHES [MM]. TOLERANCES: EXCEPT AS NOTED

INCHES		HOLES	
.x	±.10	∅x	±.10
.xx	±.020	∅xx	±.015
.xxx	±.015	∅xxx	±.010

DRAWN	WX	8/10/21
CHECKED	RC	8/10/21
APPROVED		

THIS DRAWING CONTAINS INFORMATION THAT IS PROPRIETARY  
 AND SHOULD NOT BE USED WITHOUT PRIOR WRITTEN  
 PERMISSION FROM ADAM TECH



909 Rahway Avenue,  
 Union, NJ 07083  
 Phone: 908-687-5000  
 Fax: 908-687-5710

TITLE SWITCH, TOGGLE MEDIUM, DPST,  
 ON-OFF, OFF-(ON), PC TERMINAL .250" [6.35MM]

SIZE X	PART NO. SW-T1-3X-B-K2	REV. -
REF: S00204C	SCALE: NTS	SHEET 1 OF 1