

4

3

2

1

D

D

C

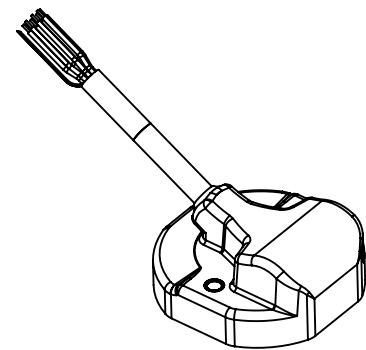
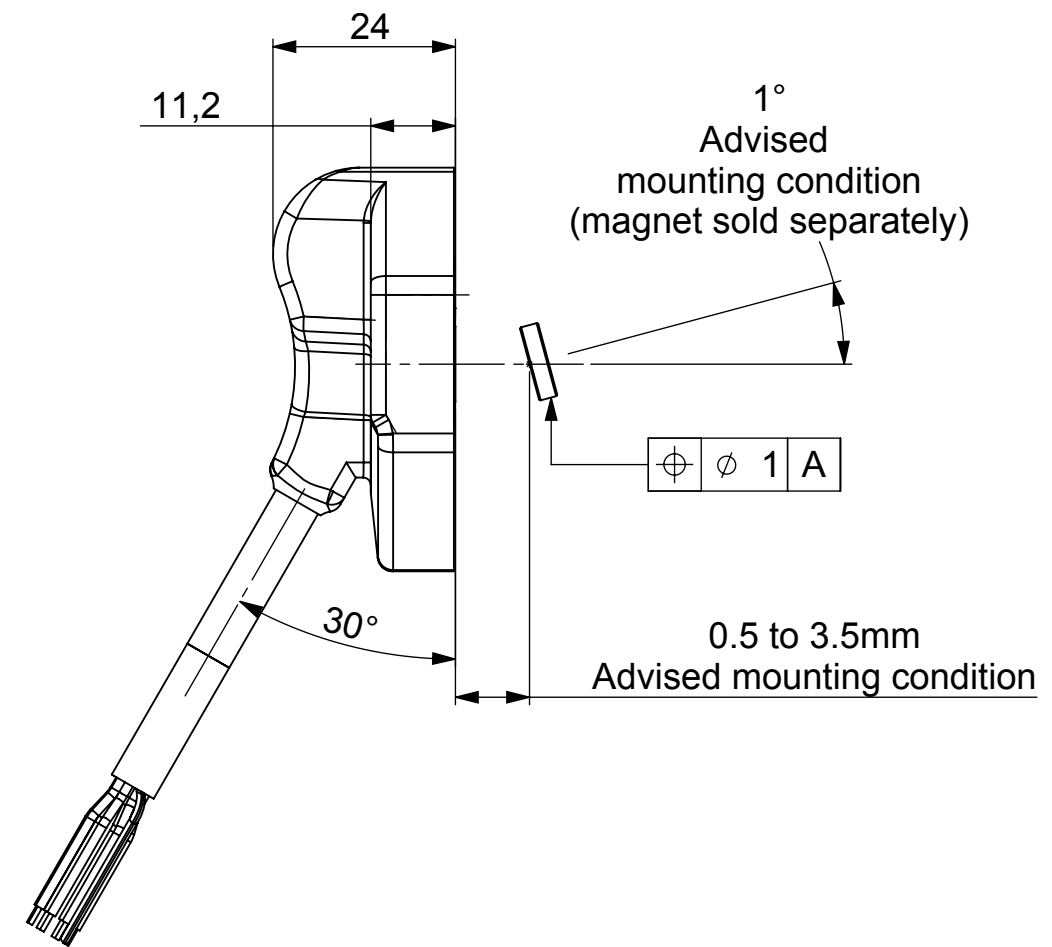
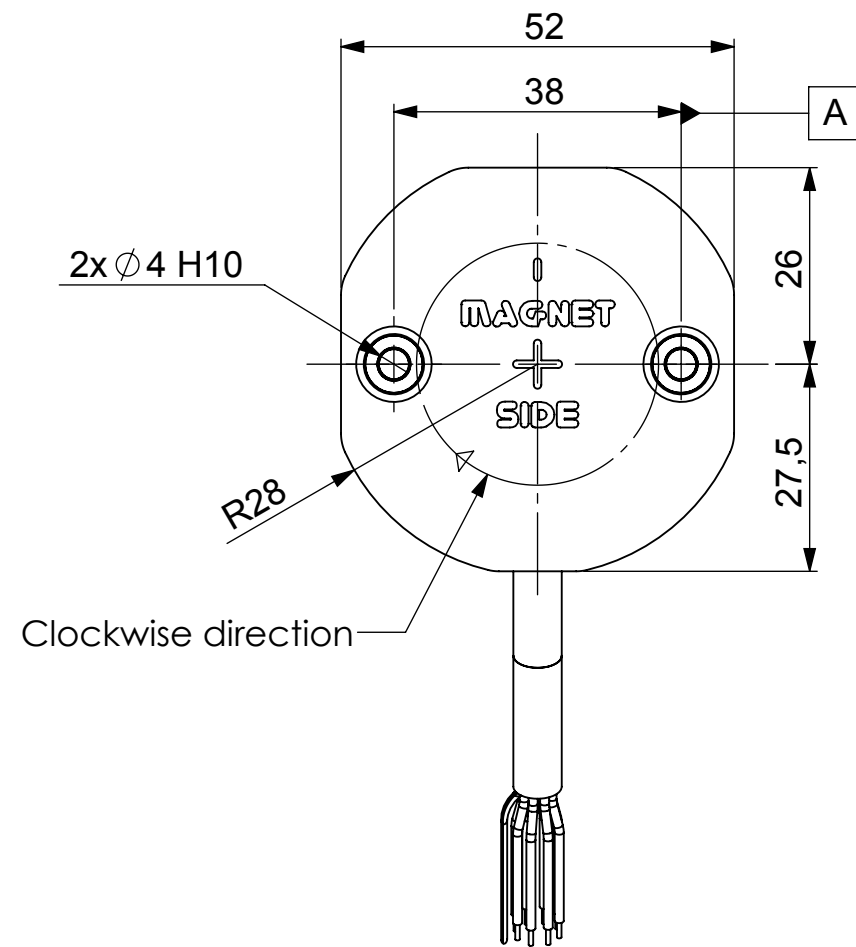
C


B

B

A

A



UNCONTROLLED COPY		 BEI SENSORS SAS Espace Européen de l'Entreprise 9, rue de Copenhague BP 70044 - F 67013 STRASBOURG Cedex Tel : +33 (0)3 88 20 81 40		
FIRST ISSUE DATE : 05/10/2018	SENSATA TECHNOLOGIES PROPRIETARY AND CONFIDENTIAL. NEITHER THIS PRINT NOR THE INFORMATION CONTAINED HEREON IS TO BE USED AGAINST THE INTERESTS OF SENSATA TECHNOLOGIES OR AGAINST THE INTERESTS OF ANY OF ITS AFFILIATED COMPANIES OR WHOLLY OWNED SUBSIDIARIES.	TITLE TCW4		
DRAWN : RHM		UNLESS OTHERWISE SPECIFIED DIMENSIONS ARE IN MILLIMETERS (INCHES) AND ARE INTENDED AS NOMINAL. SEE PRODUCT SPECIFICATION FOR MORE DETAILS.		
APPROVED : -	DO NOT SCALE DRAWING EUROPEAN SYSTEM	SIZE A3	DWG NO. M087	REV. A
DATE :		SCALE 1/1	SOLIDWORKS	SHEET 1 OF 1
ECN : -				
DATE :				
Housing material : Macromelt OM638				
Flange material : -				
Shaft material : -				

4

3

2

1

DEVICE:

PROJECT: