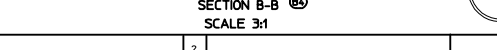
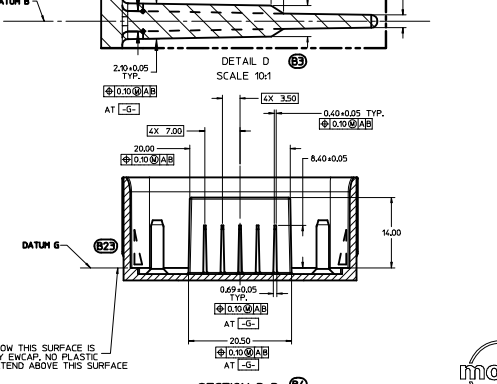
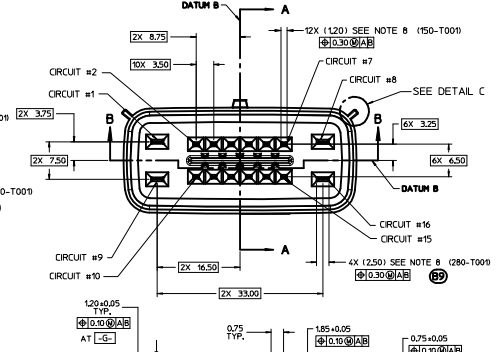
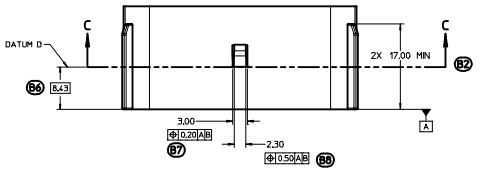
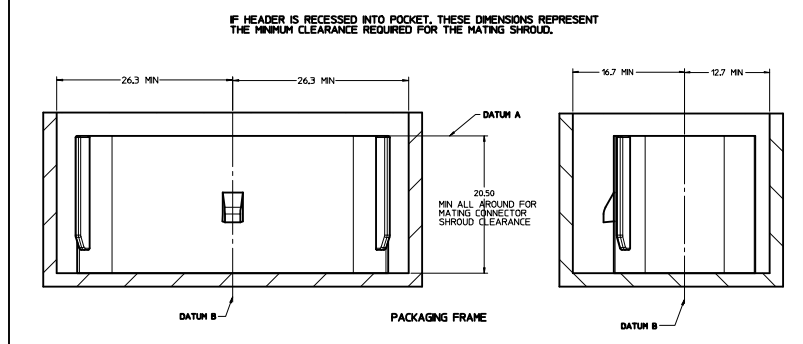
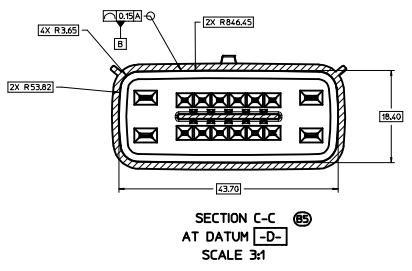


- NOTES: UNLESS OTHERWISE SPECIFIED
- DRAFT ANGLE PERMISSIBLE 0.25° MAXIMUM.
  - ALL DIMENSIONS SHOWN IN MILLIMETERS.
  - DIMENSIONING AND TOLERANCING PER ASME Y14.5M-1994
  - RADI ON ALL CORNERS SHOWN SHARP OR ALL UNSPECIFIED RADI 0.25 EXCEPT AS NOTED.
  - STANDARD COLORS FOR POLARIZATION (SEE CHART). DEVIATION REQUIRES APPROVAL OF AUTHORIZED PERSON.
  - A FULL SHROUD ON THE MATING CONNECTOR IS REQUIRED TO INSURE THAT THE CONNECTOR-HEADER POLARIZATION FEATURES (OPTIONS A THRU H) WILL FUNCTION. THE SHROUD ALSO PREVENTS SCOOP DAMAGE TO THE HEADER PINS. REFER TO SAE/USCAR-12 CONNECTOR DESIGN GUIDE LINES FOR ADDITIONAL INFORMATION.
  - REFER TO USCAR/EWCAP PART LIST AS FOUND ON WEBSITE <http://www.jscorteam.org>
  - FOR BLADE TERMINAL DESIGN INFORMATION SEE EWCAP DWG. # EWCAP-001
  - THIS IS A 100% CAD GENERATED PART. THE CAD MATHEMATICAL DATA IS THE MASTER FOR THIS PART. FOR DIMENSIONAL OR ANY INFORMATION NOT SHOWN ON THIS DRAWING, ANALYZE THE CAD MODEL.

999-S-016-2-H01	H	YELLOW
999-S-016-2-G01	G	YELLOW
999-S-016-2-F01	F	YELLOW
999-S-016-2-E01	E	YELLOW
999-S-016-2-D01	D	BLACK
999-S-016-2-C01	C	DARK GRAY
999-S-016-2-B01	B	GREY
999-S-016-2-A01	A	BLACK
EWCAP PN	OPTION	MATING CONNECTOR COLOR



088	B23	ADDED DRAFT DIRECTION SYMBOL	3-25-11
088	B22	ADDED REF DIMENSION FOR LATCH HEIGHT	3-11-11
088	B21	REMOVED THE WORD "OPTION" AT VIEW OF BACK ANGLE	3-11-11
088	B20	CHANGED FROM 175 TO 180	3-11-11
088	B19	ADDED 4X (0.805) AT BASE AND 12X (0.805) AT TIP FOR 2.8 BLADE TERMINALS	1-14-11
088	B18	CHANGED 6X TO 12X FOR THE 15 BLADE TERMINALS	1-14-11
088	B17	UPDATED CONNECTOR COLORS	1-14-11
088	B16	ADDED [-G-]	5-04-10
088	B15	REMOVED 0.10±0.05	5-04-10
088	B14	REMOVED SHORTING BAR NOTE	5-04-10
088	B13	UPDATED NOTE 8 REMOVED REV F	5-04-10
088	B12	ADDED NOTE 9	5-04-10
088	B11	ADDED DIM 1.35±0.10/-0.20 MEASURED AT 2.9 FROM [-A-] ALL AROUND	5-11-10
088	B10	ADDED SEE NOTE 8	5-04-10
088	B9	2.50 WAS 2.80. ADDED (280-T001)	5-11-10
088	B8	ADDED 0.50±0.05	5-04-10
088	B7	ADDED 0.20±0.05	5-04-10
088	B6	ADDED DIM 8.43	5-04-10
088	B5	ADDED SEC C-C	5-04-10
088	B4	UPDATED SEC B-B	5-04-10
088	B3	ADDED DETAIL D	5-04-10
088	B2	ADDED SEC C-C	5-04-10
088	B1	ADDED DIM 0.70±0.15 ALL AROUND	5-04-10
088	B	RELEASED	5-04-10

CHANGE NUMBER	DATE	BY	REASON
088	3-25-11	K. CUNNINGHAM	ADDED DRAFT DIRECTION SYMBOL
088	3-11-11	V. KOSHY	ADDED REF DIMENSION FOR LATCH HEIGHT
088	3-11-11	V. KOSHY	REMOVED THE WORD "OPTION" AT VIEW OF BACK ANGLE
088	3-11-11	V. KOSHY	CHANGED FROM 175 TO 180
088	1-14-11	V. KOSHY	ADDED 4X (0.805) AT BASE AND 12X (0.805) AT TIP FOR 2.8 BLADE TERMINALS
088	1-14-11	V. KOSHY	CHANGED 6X TO 12X FOR THE 15 BLADE TERMINALS
088	1-14-11	V. KOSHY	UPDATED CONNECTOR COLORS
088	5-04-10	V. KOSHY	ADDED [-G-]
088	5-04-10	V. KOSHY	REMOVED 0.10±0.05
088	5-04-10	V. KOSHY	REMOVED SHORTING BAR NOTE
088	5-04-10	V. KOSHY	UPDATED NOTE 8 REMOVED REV F
088	5-04-10	V. KOSHY	ADDED NOTE 9
088	5-11-10	V. KOSHY	ADDED DIM 1.35±0.10/-0.20 MEASURED AT 2.9 FROM [-A-] ALL AROUND
088	5-04-10	V. KOSHY	ADDED SEE NOTE 8
088	5-11-10	V. KOSHY	2.50 WAS 2.80. ADDED (280-T001)
088	5-04-10	V. KOSHY	ADDED 0.50±0.05
088	5-04-10	V. KOSHY	ADDED 0.20±0.05
088	5-04-10	V. KOSHY	ADDED DIM 8.43
088	5-04-10	V. KOSHY	ADDED SEC C-C
088	5-04-10	V. KOSHY	UPDATED SEC B-B
088	5-04-10	V. KOSHY	ADDED DETAIL D
088	5-04-10	V. KOSHY	ADDED SEC C-C
088	5-04-10	V. KOSHY	ADDED DIM 0.70±0.15 ALL AROUND
088	5-04-10	V. KOSHY	RELEASED

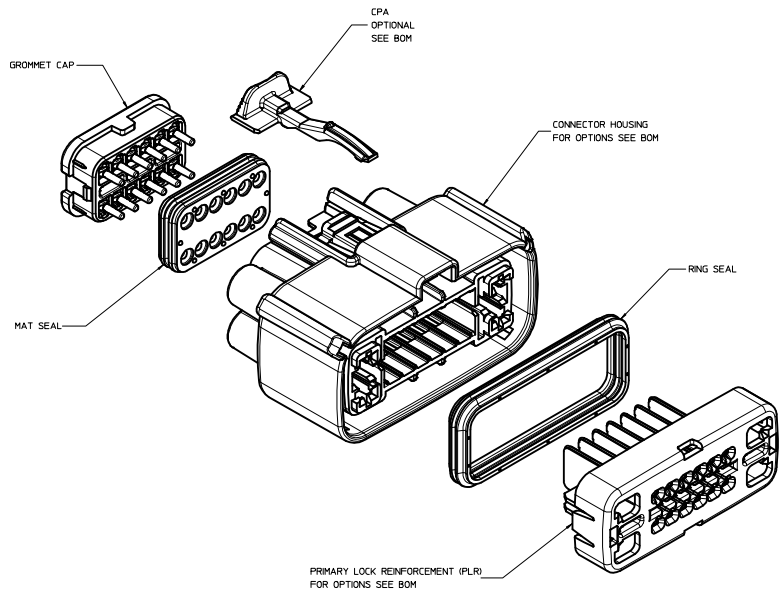
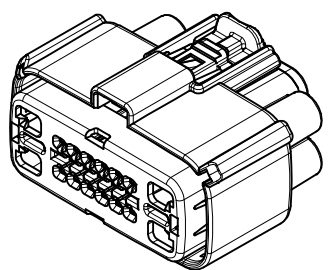
LET	REVISION RECORD	DATE	DWN	CHK			
TOLERANCES UNLESS OTHERWISE SPECIFIED		DIMENSIONAL PRECISION					
DIMENSIONS ARE IN MILLIMETERS		ANGLES					
X ±0.2		XX ±0.10					
DATE	3/1	DRAWN BY	K. CUNNINGHAM	CHECKED BY	V. KOSHY	DATE	1-14-11
DIRECT CONNECT INTERFACE 16 WAY (2 X 8) 1.5 MM SEALED MALE							
SHEET	1 OF 1	DRAWING NUMBER	999-S-016-2-Z02	SCALE	AS NOTED	REVISION LEVEL	B



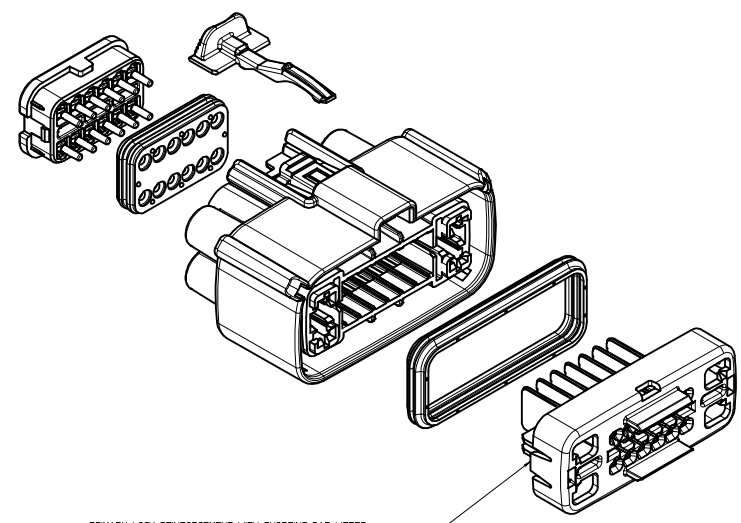
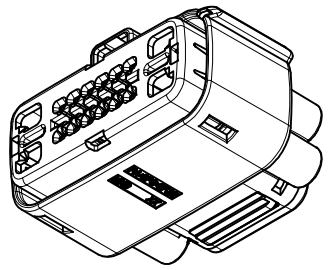
SCALE 5:1



CONSTRUCTION BELOW THIS SURFACE IS NOT CONTROLLED BY EWCAP. NO PLASTIC FEATURES MAY EXTEND ABOVE THIS SURFACE



MX150 16 WAY HYBRID RECPT HRN CONN - STANDARD (STD)



MX150 16 WAY HYBRID RECPT HRN CONN - SHORTING (SHRT) BAR  
UNLESS COMPONENT NOTED, SEE STANDARD ASSEMBLY

TABLE OF CONTENTS	
SHEET NO.	SHEET DESCRIPTION
1	NOTES
2	KEY CONFIGURATIONS
3	RECEPTACLE SEALED ASSEMBLY
4-7	BOM

NOTES: VALID UNLESS OTHERWISE SPECIFIED

1. GENERAL:
  - a. APPLICATION SPECIFICATION SEE: AS-33472-100  
CONTAINS: PRODUCT INTRODUCTION, PRODUCT SUMMARY, CONNECTOR ASSEMBLY, PACKAGING INFORMATION, CONNECTOR MATING, SERVICE INSTRUCTIONS, ELECTRICAL CONTINUITY CHECKING, CRIMPING, AND TROUBLESHOOTING.  
-STANDARD (NON-SHRT) CONFIGURATIONS DESIGNED TO MATE WITH DEVICE CONNECTION AS SPECIFIED IN DRAWING EWCAP 999-S-016-2-202. AVAILABLE AT <http://www.molex.com/connector>  
-STANDARD (NON-SHRT) CONFIGURATIONS AND SHORTING BAR CONFIGURATIONS DESIGNED TO MATE WITH BLADE HOUSING ASSEMBLY SPECIFIED IN DRAWING SD-33486-161.  
-FOR 15mm RECEPTACLE TERMINALS TO BE USED WITH THIS ASSEMBLY. SEE MOLEX DRAWING SD-33012-002.  
-15mm TERMINALS TO BE USED WITH WIRE WITH DIAMETER RANGE OF 1.4mm TO 2.69mm.  
-FOR 2.8mm RECEPTACLE TERMINALS TO BE USED WITH THIS ASSEMBLY SEE TABLE.  
-2.8mm TERMINALS TO BE USED WITH WIRE WITH DIAMETER RANGE OF 1.50mm TO 3.30mm.  
-ASSEMBLY SHIPPED WITH PLR AND CPA IN PRE-LOCK POSITION (SEE SECTION 2-2 PRE-LOCK).  
IN THE EVENT THAT THE PLR IS FOUND IN THE SEATED (FINAL LOCK) POSITION, REFER TO MOLEX SPECIFICATION PS-34646-001. AVAILABLE AT www.molex.com <http://www.molex.com>.  
-ASSEMBLY CONFORMS TO SAE/USCAR-2 REV.4 WITH THE FOLLOWING EXCEPTIONS:  
ENGAGEMENT FORCE TO MOVE CPA FROM PRE-LOCK TO FINAL LOCK POSITION WHEN UNMATED: 40N MIN.  
DISENGAGEMENT FORCE TO MOVE CPA FROM FINAL LOCK TO PRE-LOCK POSITION: 3N MIN. 40N MAX.  
-TERMINAL INSERTION FORCE FOR WIRE DIAMETER ABOVE 2.5mm NOT EXCEEDING 2.69mm SHALL NOT EXCEED 40 NEWTONS.
  - b. PRODUCT SPECIFICATION SEE: PS-33476-000  
CONTAINS: PRODUCT INTRODUCTION, PRODUCT SUMMARY, RATINGS (CURRENT, TEMPERATURE, SEALING, AND FLAMMABILITY), AND PRODUCT VALIDATION.
  - c. PACKAGING SPECIFICATION PER MOLEX DRAWING: PK-30907-895
  - d. PARTS MUST BE IN COMPLIANCE TO MOLEX CHEMICAL SUBSTANCES FOR PRODUCTS SPECIFICATION: ES-40000-5016
  - e. DATA MUST BE SUBMITTED UNDER THE MOLEX PART NUMBER TO IMDS (COMPANY ID:13259)
  - f. FOR INFORMATION ON 16 WAY HYBRID RECEPT HRN ASSY WITH CLIPSLOT SEE E-33476-181

2. DESIGN - MATERIALS:
  - a. SEE BOM TABLE
3. DESIGN - GEOMETRY:
  - a. THIS IS A 100% CAD GENERATED PART. THE CAD MATHEMATICAL DATA IS THE MASTER FOR THIS PART. FOR DIMENSIONAL OR ANY INFORMATION NOT SHOWN ON THIS DRAWING, ANALYZE THE CAD MODEL.
  - b. GEOMETRIC DIMENSIONS AND TOLERANCES PER ASME Y14.5M - 1994
  - c. EDGES AND UNDIMENSIONED DETAILS PER ISO13715
  - d. CORNERS SHOWN AS SHARP TO BE R 0.2 MAX.
  - e. LETTERING SHALL BE 0.15 MAX RAISED IN 0.25 MAX RECESS PAD. THIS INCLUDES RECYCLING CODE, CAVITY ID, VENDOR IDENTIFICATION, AND CUSTOMER MATERIAL NUMBER.
  - f. VISUAL DEFECTS SHALL MEET COSMETIC STANDARD PS-45199-002 (CLASS B)
  - g. LASER MARKING: TBD

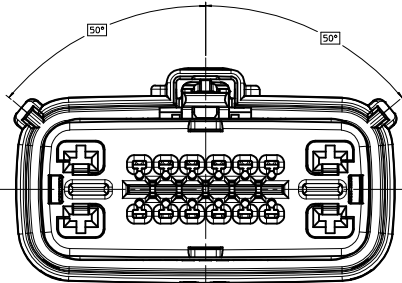
TYCO 2.8mm CABLE SEAL TERMINAL		
FORD P/N	FEMALE RECEPTACLE	GRIP SIZE
IFIT-14474-KA		12
IFIT-14474-JA		14
IFIT-14474-HA		16
IFIT-14474-GA		18
IFIT-14474-FA		20
IFIT-14474-EA		22

INSPECTION NUMBER LOG  
LAST NUMBER USED:  
ADDED:  
REMOVED:

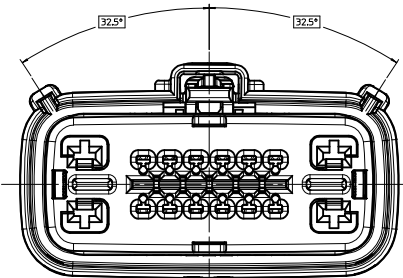
BX	UPDATED TO PLANNED OBSOLESCENCE
BW	ADD NEW P/N 33476-4043 THRU 33476-4046
BV10	ADD NEW P/N 33476-4042
BV9	ADD NEW P/N 33476-4041
BV8	ADD NEW P/N 33476-4037 33476-4038 33476-4039 33476-4040
BV7	ADDED NEW P/N 33476-4023 33476-4024 33476-4025 33476-4026 33476-4027 33476-4028 33476-4029 33476-4030 33476-4031 33476-4032 33476-4033 33476-4034 33476-4035 33476-4036
BV6	ADD NEW P/N 33476-4016 33476-4017
BV5	33476-4018 33476-4019 33476-4020 33476-4021
BV4	ADD NEW P/N 33476-4014 33476-4015
BV3	ADD NEW P/N 33476-4012 33476-4013
BV2	ADD NEW P/N 33476-4011
BV1	CHANGE PART NUMBER STATUS ADD NEW P/N 33476-4009 33476-4010 ADD NEW P/N 33476-4006 33476-4007
BV	33476-4008
REV	DESCRIPTION

ENTER DESCRIPTION EC NO: JAU2016-0550 DRAWING P/N: 2015/0174 APPROVED: 2015/0178 REV: BX	QUALITY SYMBOLS $\nabla=0$ $\nabla=0$ $\nabla=0$ $\nabla=0$	GENERAL TOLERANCES (UNLESS SPECIFIED) mm INCH 4 PLACES ± 0.1 ± 0.004 3 PLACES ± 0.15 ± 0.006 2 PLACES ± 0.2 ± 0.008 1 PLACE ± 0.3 ± 0.010 0 PLACE ± 0.5 ± 0.015 ANGULAR ± 3° DRAFT WHERE APPLICABLE MUST REMAIN WITHIN DIMENSIONS	DIMENSION STYLE MM ONLY DRAWN BY DATE KCUNNINGHAM 2011/10/27 CHECKED BY DATE APPROVED BY DATE	SCALE 3:1 DESIGN UNITS METRIC THIRD ANGLE PROJECTION	TITLE MX150 16 WAY HYBRID RECPT SEALED ASSEMBLY <b>molex</b> DOCUMENT NO. SD-33476-161 SHEET NO. OF 8
	THIS DRAWING CONTAINS INFORMATION THAT IS PROPRIETARY TO MOLEX, INCORPORATED AND SHOULD NOT BE USED WITHOUT WRITTEN PERMISSION				
	SEE BOM				
	MATERIAL NO. DOCUMENT NO.				

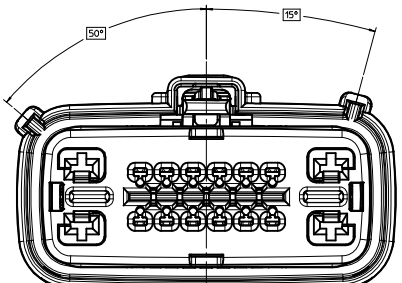
KEY CONFIGURATIONS



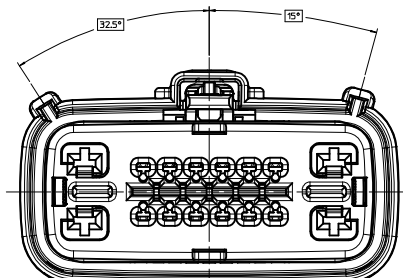
KEY A



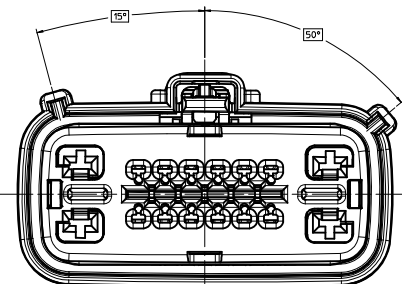
KEY E



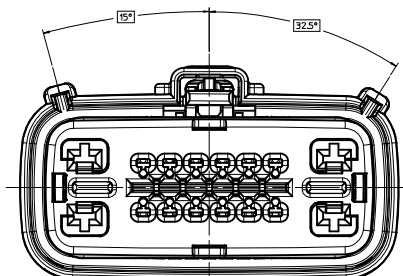
KEY B



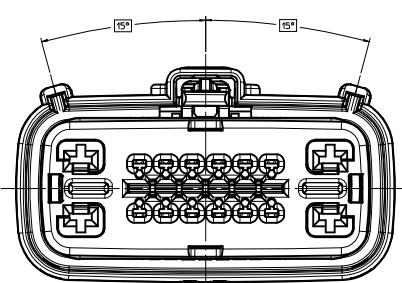
KEY F



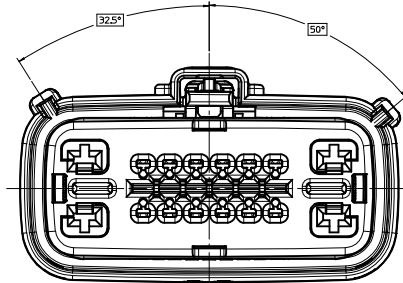
KEY C



KEY G



KEY D

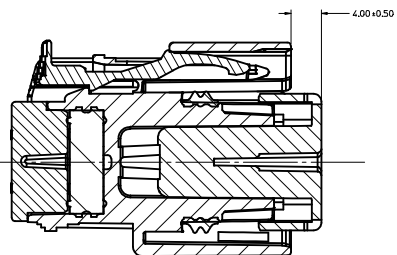
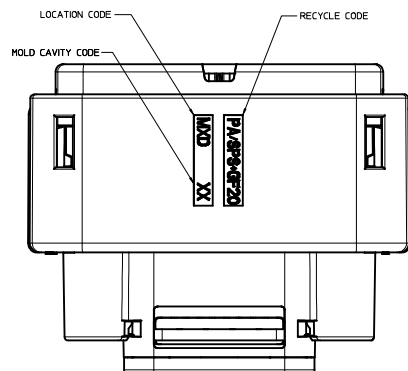
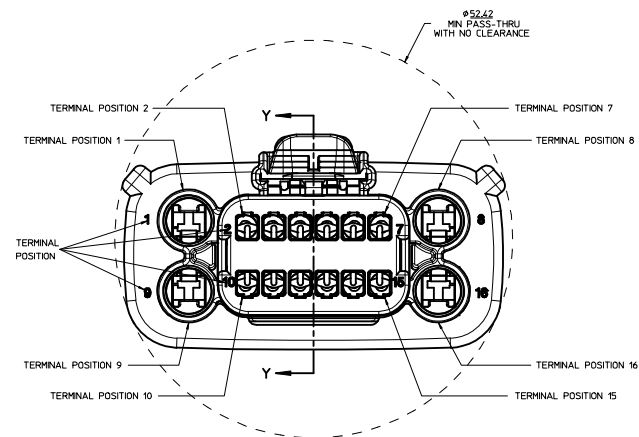
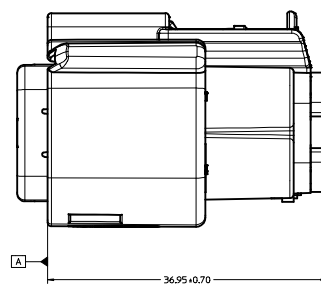
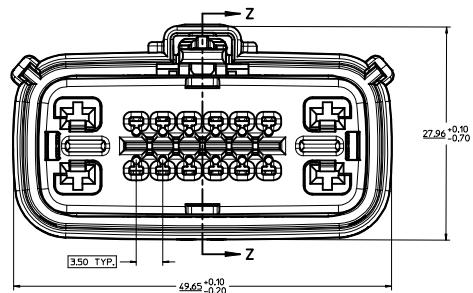
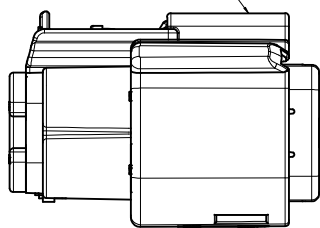


KEY H

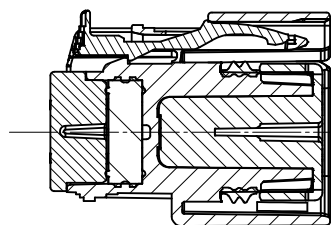
<b>ENTER DESCRIPTION</b> EC NO. UAU2016-0550 DRAWN BY: J. W. B. / 2015/10/27 CHECKED BY: J. W. B. / 2015/10/27 APPROVED BY: J. W. B. / 2015/10/27 DESCRIPTION: BX	QUALITY SYMBOLS ▽=0 ▽=0 ▽=0	GENERAL TOLERANCES (UNLESS SPECIFIED) <table border="1"> <thead> <tr> <th></th> <th>mm</th> <th>INCH</th> </tr> </thead> <tbody> <tr> <td>4 PLACES</td> <td>± .005</td> <td>± .0005</td> </tr> <tr> <td>3 PLACES</td> <td>± .005</td> <td>± .0005</td> </tr> <tr> <td>2 PLACES</td> <td>± .01</td> <td>± .0005</td> </tr> <tr> <td>1 PLACE</td> <td>± .03</td> <td>± .0005</td> </tr> <tr> <td>0 PLACE</td> <td>± .05</td> <td>± .0005</td> </tr> </tbody> </table>		mm	INCH	4 PLACES	± .005	± .0005	3 PLACES	± .005	± .0005	2 PLACES	± .01	± .0005	1 PLACE	± .03	± .0005	0 PLACE	± .05	± .0005	DIMENSION STYLE MM ONLY DRAWN BY: KCUNNINGHAM DATE: 2011/10/27 CHECKED BY: DATE: APPROVED BY: DATE:	SCALE: 3:1 DESIGN UNITS: METRIC THIRD ANGLE PROJECTION	TITLE: MX150 16 WAY HYBRID RECP T SEALED ASSEMBLY
		mm	INCH																				
	4 PLACES	± .005	± .0005																				
	3 PLACES	± .005	± .0005																				
2 PLACES	± .01	± .0005																					
1 PLACE	± .03	± .0005																					
0 PLACE	± .05	± .0005																					
	ANGULAR ± 3° DRAFT WHERE APPLICABLE MUST REMAIN WITHIN DIMENSIONS	MATERIAL NO.: SEE BOM SIZE: E	DOCUMENT NO.: SD-33476-161	SHEET NO.: 2 OF 8	THIS DRAWING CONTAINS INFORMATION THAT IS PROPRIETARY TO MOLEX INCORPORATED AND SHOULD NOT BE USED WITHOUT WRITTEN PERMISSION																		

RCPT. HRN. CONN.

OPTIONAL LASER MARKING ON THIS SURFACE  
SEE NOTE 3g.



PRIMARY LOCK REINFORCEMENT (PLR) SHOWN  
IN PRE-STAGED POSITION  
SECTION Z-Z



PRIMARY LOCK REINFORCEMENT (PLR) SHOWN  
IN FINAL-LOCK POSITION  
SECTION Y-Y

<b>ENTER DESCRIPTION</b> EC. NO. 0A02016-0550 DRAWING TITLE 2015/10/27 0 PASSEGGI APPROVED BY 2015/10/27 APPROVED BY 2015/10/27 REV.	QUALITY SYMBOLS ∇=0 ∇=0 ∇=0	GENERAL TOLERANCES (UNLESS SPECIFIED) mm INCH 4 PLACES ± --- ± --- 3 PLACES ± --- ± --- 2 PLACES ± 0.1 ± --- 1 PLACE ± 0.3 ± --- 0 PLACE ± ±	DIMENSION STYLE MM ONLY DRAWN BY DATE KCUNNINGHAM 2011/10/27 CHECKED BY DATE APPROVED BY DATE	SCALE 4:1 DESIGN UNITS METRIC THIRD ANGLE PROJECTION	TITLE MX150 16 WAY HYBRID RCPT SEALED ASSEMBLY	
	DRAFT WHERE APPLICABLE MUST REMAIN WITHIN DIMENSIONS	MATERIAL NO. SEE BOM	DOCUMENT NO. SD-33476-161	SHEET NO. 3 OF 8	<b>molex</b>	
	THIS DRAWING CONTAINS INFORMATION THAT IS PROPRIETARY TO MOLEX INCORPORATED AND SHOULD NOT BE USED WITHOUT WRITTEN PERMISSION					
	SIZE E					











KEY / PART	QTY	UNIT	DESCRIPTION	STATUS
KEY A, BLACK	33476-4046	A		
KEY A, BLACK	33476-4045	A		
KEY A, BLACK	33476-4044	A		
KEY A, BLACK	33476-4043	A		
KEY A, BLACK	33476-4042	A		
KEY A W/CPA, BLACK	33476-4041	A		
KEY A, BLACK	33476-4040	A		
KEY A, BLACK	33476-4039	A		
KEY A, BLACK	33476-4038	A		
KEY A, BLACK	33476-4037	A		
KEY A W/CPA, BLACK	33476-4036	A		
KEY A, BLACK	33476-4035	A		
KEY A, BLACK	33476-4034	A		
KEY A, BLACK	33476-4033	A		
KEY B, LT.GRAY	33476-4032	B		
KEY A W/CPA, BLACK	33476-4031	A		
KEY A, BLACK	33476-4030	A		
KEY A, BLACK	33476-4029	A		
KEY B, LT.GRAY	33476-4028	B		
KEY B, LT.GRAY	33476-4027	B		
KEY A, BLACK	33476-4026	A		
KEY A W/CPA, BLACK	33476-4025	A		
KEY A W/CPA, BLACK	33476-4024	A		
KEY A W/CPA, BLACK	33476-4023	A		
KEY A W/CPA, BLACK	33476-4022	A		
KEY A, BLACK	33476-4021	A		
KEY A, BLACK	33476-4020	A		
KEY A, BLACK	33476-4019	A		
KEY A, BLACK	33476-4018	A		
KEY A, BLACK	33476-4017	A		
KEY C W/ CPA, DK GRAY	33476-4016	C		
ASSEMBLY DESCRIPTION	ASSEMBLY PART NUMBER			

PLANNED OBSOLESCENCE  
SEE DRAWING SD-34985-8002  
FOR REPLACEMENT P/N/S  
34985-XXXX

ABBREVIATION	COMPONENT
A	HOUSING KEY A
B	HOUSING KEY B
C	HOUSING KEY C
D	HOUSING KEY D
E	HOUSING KEY E
F	HOUSING KEY F
G	HOUSING KEY G
H	HOUSING KEY H
GC	GROMMET CAP
M	MAT SEAL
P	PLR, STANDARD
PS	PLR, SHRT BAR LIFTER
R	RING SEAL
CPA	CPA

DESCRIPTION	COLOR	MATERIAL
GROMMET CAP	BLACK	SPS/NYLON GF20
MAT SEAL	LIGHT BLUE	INHERENTLY LUBRICATED SILICONE
RING SEAL	GREEN	INHERENTLY LUBRICATED SILICONE
CPA	BRIGHT RED	PBT GF30
SHORTING BAR PLR	NATURAL	PBT GF15
STANDARD PLR	NATURAL	SPS/NYLON GF20
HOUSING KEYING OPTION D	STONE GRAY	SPS/NYLON GF20
HOUSING KEYING OPTION C	DARK GRAY	SPS/NYLON GF20
HOUSING KEYING OPTION A	YELLOW	SPS/NYLON GF20
HOUSING KEYING OPTION H	YELLOW	SPS/NYLON GF20
HOUSING KEYING OPTION G	BROWN	SPS/NYLON GF20
HOUSING KEYING OPTION F	LIGHT GRAY	SPS/NYLON GF20
HOUSING KEYING OPTION E	BLACK	SPS/NYLON GF20
HOUSING KEYING OPTION D	GREEN	SPS/NYLON GF20
HOUSING KEYING OPTION C	BROWN	SPS/NYLON GF20
HOUSING KEYING OPTION B	LIGHT GRAY	SPS/NYLON GF20
HOUSING KEYING OPTION A	BLACK	SPS/NYLON GF20
DESCRIPTION	COLOR	MATERIAL
BOM/APPLICABLE COMPONENTS TABLE		

<p>ENTER DESCRIPTION</p> <p>EC NO: 0402016-0550</p> <p>DRAWING: 33476-01 2015/10/17</p> <p>APPR: MOSES 2015/10/19</p> <p>REV: BX</p>	<p>QUALITY SYMBOLS</p> <p>▽=0</p> <p>▽=1</p> <p>▽=2</p>	<p>GENERAL TOLERANCES (UNLESS SPECIFIED)</p> <table border="1"> <tr> <th colspan="2">mm</th> <th colspan="2">INCH</th> </tr> <tr> <td>4 PLACES</td> <td>± 0.25</td> <td>± 0.010</td> <td></td> </tr> <tr> <td>3 PLACES</td> <td>± 0.30</td> <td>± 0.012</td> <td></td> </tr> <tr> <td>2 PLACES</td> <td>± 0.40</td> <td>± 0.015</td> <td></td> </tr> <tr> <td>1 PLACE</td> <td>± 0.50</td> <td>± 0.020</td> <td></td> </tr> <tr> <td>0 PLACE</td> <td>± 0.63</td> <td>± 0.025</td> <td></td> </tr> </table> <p>ANGULAR ± 3°</p> <p>DRAFT WHERE APPLICABLE MUST REMAIN WITHIN DIMENSIONS</p>	mm		INCH		4 PLACES	± 0.25	± 0.010		3 PLACES	± 0.30	± 0.012		2 PLACES	± 0.40	± 0.015		1 PLACE	± 0.50	± 0.020		0 PLACE	± 0.63	± 0.025		<p>DIMENSION STYLE</p> <p>MM ONLY</p> <p>SCALE 2:1</p> <p>DESIGN UNITS METRIC</p> <p>THIRD ANGLE PROJECTION</p> <p>DRAWN BY KCUNNINGHAM 2011/10/27</p> <p>CHECKED BY DATE</p> <p>APPROVED BY DATE</p> <p>MATERIAL NO. 999999999</p> <p>DOCUMENT NO. SD-33476-161</p> <p>SHEET NO. 8 OF 8</p>	<p>THIS DRAWING CONTAINS INFORMATION THAT IS PROPRIETARY TO MOLEX INCORPORATED AND SHOULD NOT BE USED WITHOUT WRITTEN PERMISSION</p>
	mm		INCH																									
	4 PLACES	± 0.25	± 0.010																									
	3 PLACES	± 0.30	± 0.012																									
	2 PLACES	± 0.40	± 0.015																									
1 PLACE	± 0.50	± 0.020																										
0 PLACE	± 0.63	± 0.025																										