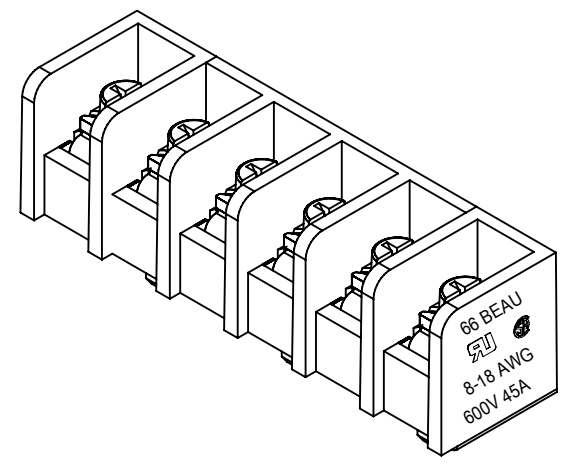
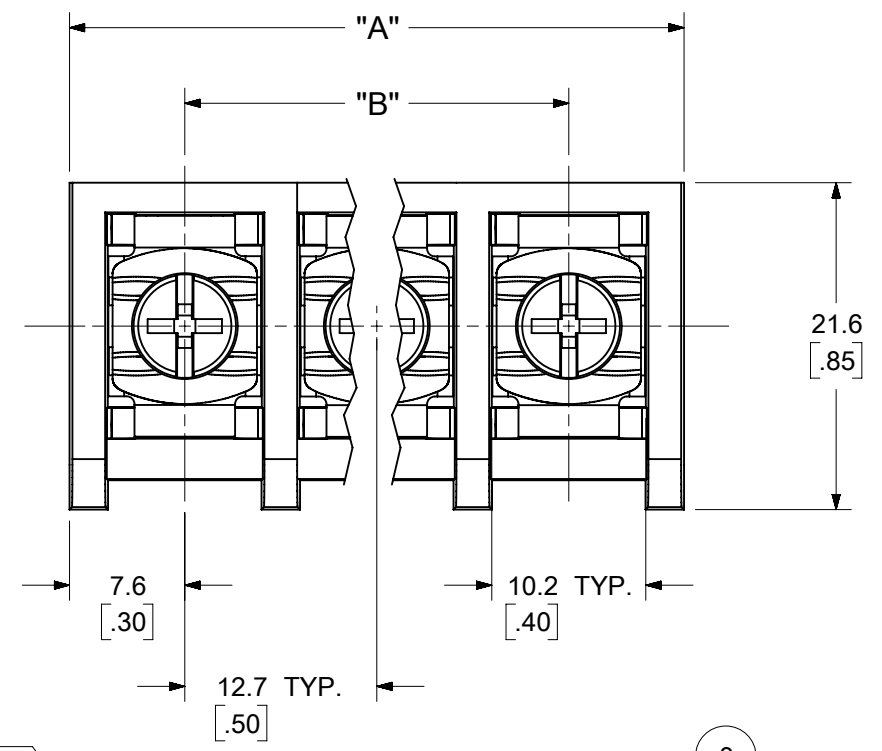


| MATERIAL NUMBER (STD PART) | NUMBER OF CIRCUITS "XX" | DIM. "A" | | DIM. "B" | |
|----------------------------|-------------------------|----------|------|----------|-------|
| | | mm | IN | mm | IN |
| 386608802 | 02 | 27.9 | 1.10 | 12.70 | .500 |
| 386608803 | 03 | 40.6 | 1.60 | 25.40 | 1.000 |
| 386608804 | 04 | 53.3 | 2.10 | 38.10 | 1.500 |
| 386608805 | 05 | 66.0 | 2.60 | 50.80 | 2.000 |
| 386608806 | 06 | 78.7 | 3.10 | 63.50 | 2.500 |
| 386608807 | 07 | 91.4 | 3.60 | 76.20 | 3.000 |
| 386608808 | 08 | 104.1 | 4.10 | 88.90 | 3.500 |
| 386608809 | 09 | 116.8 | 4.60 | 101.60 | 4.000 |
| 386608810 | 10 | 129.5 | 5.10 | 114.30 | 4.500 |
| 386608811 | 11 | 142.2 | 5.60 | 127.00 | 5.000 |
| 386608812 | 12 | 154.9 | 6.10 | 139.70 | 5.500 |
| 386608813 | 13 | 167.6 | 6.60 | 152.40 | 6.000 |
| 386608814 | 14 | 180.3 | 7.10 | 165.10 | 6.500 |
| 386608815 | 15 | 193.0 | 7.60 | 177.80 | 7.000 |

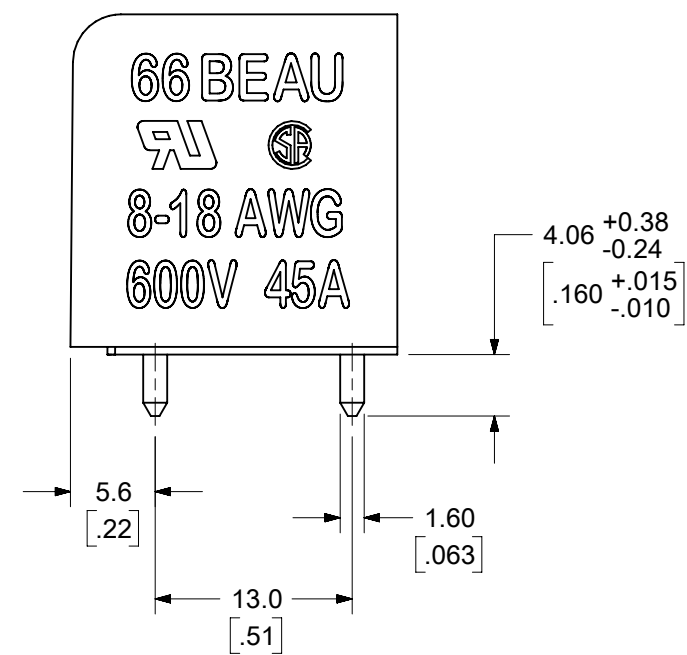
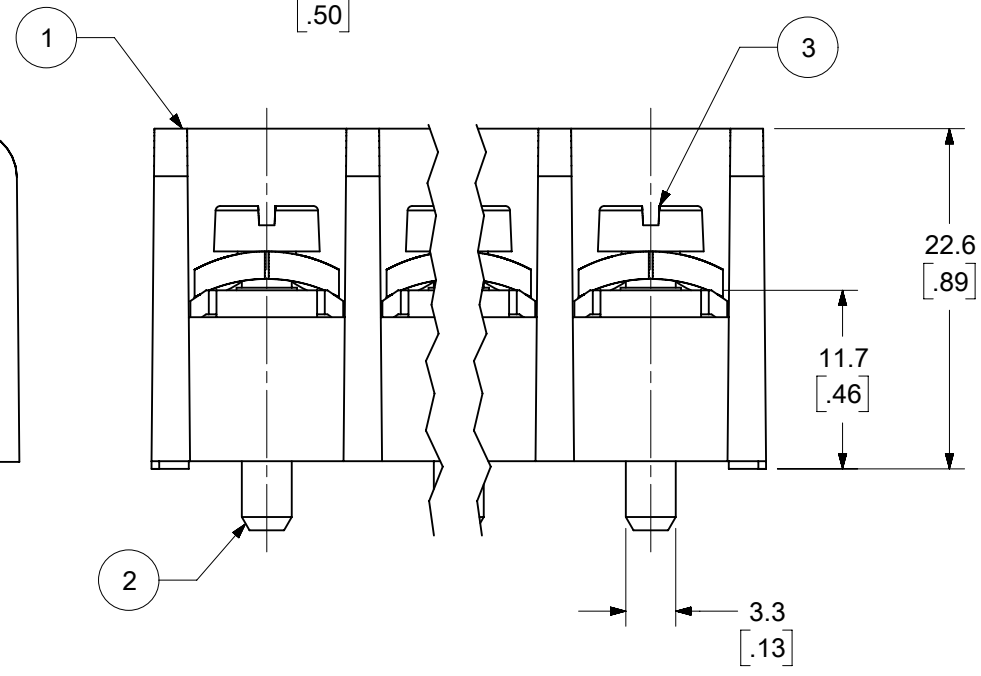
- NOTES:
- MATERIAL: SEE TABLE
 - FINISHES: SEE TABLE
 - ELECTRICAL RATINGS:
 - (A). MAXIMUM VOLTAGE: 600V
 - (B). MAXIMUM CURRENT: 45A
 - (C). INSULATION RESISTANCE: >5000 MΩ
 - (D). DIELECTRIC WITHSTAND VOLTAGE: 12000V AC
 - WIRE RANGE: 8 TO 18 AWG (SOLID OR STRANDED COPPER)
 - SCREW TORQUE: 16 LBF. IN. (1.8Nm)
 - OPERATING TEMPERATURE: -40°C TO +120°C

| ITEM | QTY | DESCRIPTION | MATERIAL | FINISH |
|------|-----|-------------|-----------------|--------------------|
| 3 | XX | SCREW | STEEL | ZN/YELLOW CHROMATE |
| 2 | XX | TERMINAL | RED BRASS | TIN OVER COPPER |
| 1 | 1 | INSULATOR | POLYESTER (PBT) | BLACK |

| | | | | |
|-----------------|----|--------------|------------|----------|
| DOCUMENT STATUS | P1 | RELEASE DATE | 2020/03/09 | 17:51:50 |
|-----------------|----|--------------|------------|----------|



6 CIRCUIT SHOWN ACTUAL SIZE



| | | | |
|---------|------------------------------------------------------|-----------------------------------------------------------------------------------------------------------------------------------------------|-----------------------------------------|
| SYMBOLS | | THIS DRAWING CONTAINS INFORMATION THAT IS PROPRIETARY TO MOLEX ELECTRONIC TECHNOLOGIES, LLC AND SHOULD NOT BE USED WITHOUT WRITTEN PERMISSION | |
| ▽ = 0 | MM/INCH | SCALE | 2:1 |
| ▽ = 0 | GENERAL TOLERANCES (UNLESS SPECIFIED) | | CURRENT REV DESC: UPDATED NOTES SECTION |
| ▽ = 0 | 4 PLACES ± | MM | INCH |
| ▽ = 0 | 3 PLACES ± | --- | --- |
| ▽ = 0 | 2 PLACES ± | 0.13 | 0.01 |
| ▽ = 0 | 1 PLACE ± | 0.3 | --- |
| ▽ = 0 | 0 PLACES ± | --- | --- |
| ▽ = 0 | ANGULAR TOL | ± | 2° |
| ▽ = 0 | DRAFT WHERE APPLICABLE MUST REMAIN WITHIN DIMENSIONS | | THIRD ANGLE PROJECTION |
| ▽ = 0 | | | DRAWING |
| | | SERIES | 38660 |
| | | MATERIAL NUMBER | SEE CHART |
| | | CUSTOMER | GENERAL MARKET |
| | | SHEET NUMBER | 1 OF 1 |



SR BTS, 12.70/.500 PITCH
PC, NO MTG ASSY, ROHS COMPLIANT

PRODUCT CUSTOMER DRAWING

| | | | |
|-----------------|----------|----------|----------|
| DOCUMENT NUMBER | DOC TYPE | DOC PART | REVISION |
| SD-38660-003 | PSD | 001 | B |