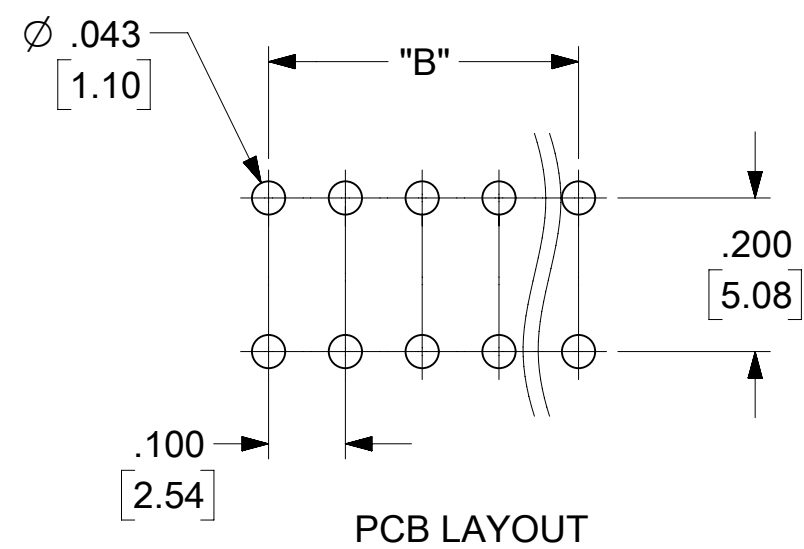


NOTE FRONT AND REAR PIN ORIENTATION



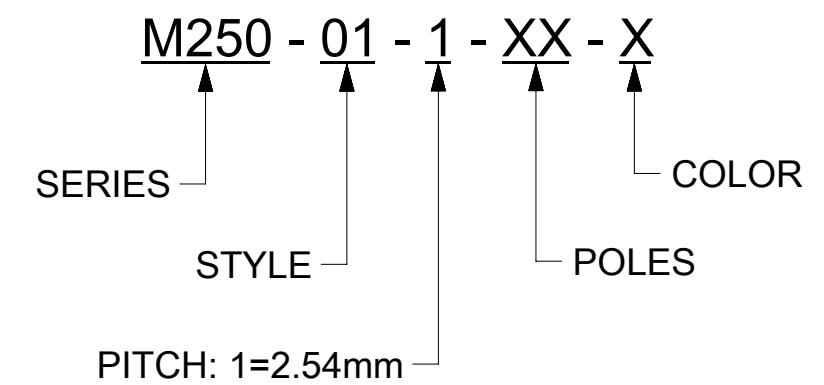
SPECIFICATIONS:

- MATERIAL:
 - A. BUTTON: PA66 UL94 V-0
 - B. SPRING: ST. STEEL
 - C. BODY : PA66 UL94 V-0
 - D. TERMINAL: BRASS TIN PLATED
 - E. COVER: PA66 UL94 V-0
- WIRE SIZE: 18 TO 26 AWG (SOL/STR) (E1)
- ELECTRICAL RATING (UL): 150V, 6A
- WIRE STRIP LENGTH: .43 (11.0mm)
- POWER FREQUENCY WITHSTAND: AC 2000V FOR 1 MINUTE
- INSULATION RESISTANCE: DC 500V, 500MΩ
- RATED IMPULSE VOLTAGE: 2500V PLUS AND MINUS 5 TIMES EACH
- OPERATING TEMPERATURE : -40°C TO +115°C
- MAX SOLDERING TEMPERATURE : +260°C FOR 5 SECONDS

TOLERANCES			
MM	TOL	INCH	TOL
0-6	±0.25	0-.24	±.010
>6-30	±0.40	>.24-1.18	±.016
>30-120	±0.50	>1.18-4.76	±.020
>120	±0.80	>4.76	±.031

CONTACT FACTORY FOR OPTIONAL COLORS

ENGINEERING NUMBER LEGEND



PART NUMBER DATA							
CIRCUITS	PART NUMBER	ENGINEERING NUMBER	COLOR	DIM. "A"		DIM. "B"	
				IN	mm	IN	mm
2	397000202	M250-01-1-02-3	GREEN	.30	7.6	.100	2.54
3	397000203	M250-01-1-03-3	GREEN	.40	10.2	.200	5.08
4	397000204	M250-01-1-04-3	GREEN	.50	12.7	.300	7.62
5	397000205	M250-01-1-05-3	GREEN	.60	15.2	.400	10.16
6	397000206	M250-01-1-06-3	GREEN	.70	17.8	.500	12.70
7	397000207	M250-01-1-07-3	GREEN	.80	20.3	.600	15.24
8	397000208	M250-01-1-08-3	GREEN	.90	22.9	.700	17.78
9	397000209	M250-01-1-09-3	GREEN	1.00	25.4	.800	20.32
10	397000210	M250-01-1-10-3	GREEN	1.10	27.9	.900	22.86
11	397000211	M250-01-1-11-3	GREEN	1.20	30.5	1.000	25.40
12	397000212	M250-01-1-12-3	GREEN	1.30	33.0	1.100	27.94
13	397000213	M250-01-1-13-3	GREEN	1.40	35.6	1.200	30.48
14	397000214	M250-01-1-14-3	GREEN	1.50	38.1	1.300	33.02
15	397000215	M250-01-1-15-3	GREEN	1.60	40.6	1.400	35.56
16	397000216	M250-01-1-16-3	GREEN	1.70	43.2	1.500	38.10
17	397000217	M250-01-1-17-3	GREEN	1.80	45.7	1.600	40.64
18	397000218	M250-01-1-18-3	GREEN	1.90	48.3	1.700	43.18
19	397000219	M250-01-1-19-3	GREEN	2.00	50.8	1.800	45.72
20	397000220	M250-01-1-20-3	GREEN	2.10	53.3	1.900	48.26
21	397000221	M250-01-1-21-3	GREEN	2.20	55.9	2.000	50.80
22	397000222	M250-01-1-22-3	GREEN	2.30	58.4	2.100	53.34
23	397000223	M250-01-1-23-3	GREEN	2.40	61.0	2.200	55.88
24	397000224	M250-01-1-24-3	GREEN	2.50	63.5	2.300	58.42

FUNCTIONAL SYMBOLS	THIS DRAWING CONTAINS INFORMATION THAT IS PROPRIETARY TO MOLEX ELECTRONIC TECHNOLOGIES, LLC AND SHOULD NOT BE USED WITHOUT WRITTEN PERMISSION								
	DIMENSION UNITS	SCALE	CURRENT REV DESC: MIGRATED TO NX. WIRE SIZE WAS 26-18AWG						
$\frac{F}{A} = 0$	INCH/MM	4:1							
$\frac{F}{C} = 0$	GENERAL TOLERANCES (UNLESS SPECIFIED)								
$\frac{F}{P} = 0$		MM	INCH						
DIVISIONAL SYMBOLS	4 PLACES	±	---	±	---	EC NO: 708205			
	3 PLACES	±	---	±	SEE CHART	DRWN: ABENJAMINLW 2022/05/23			
	2 PLACES	±	SEE CHART	±	SEE CHART	CHK'D: DACHAMMER 2022/05/25			
	1 PLACE	±	SEE CHART	±	---	APPR: JFMURPHY 2022/06/13			
	0 PLACES	±	---	±	---	INITIAL REVISION:			
	ANGULAR TOL	±	---	DRWN: RSTONE 2013/10/02					
DRAFT WHERE APPLICABLE MUST REMAIN WITHIN DIMENSIONS		THIRD ANGLE PROJECTION		DRAWING	SERIES	DOCUMENT NUMBER	DOC TYPE	DOC PART	REVISION
				C-SIZE	39700	SD-39700-002	PSD	001	E1
				MATERIAL NUMBER	CUSTOMER	SHEET NUMBER			
				SEE CHART	GENERAL MARKET	1 OF 1			