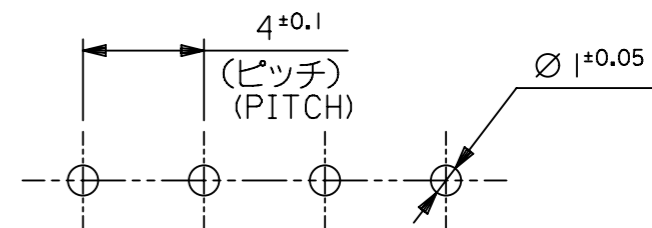


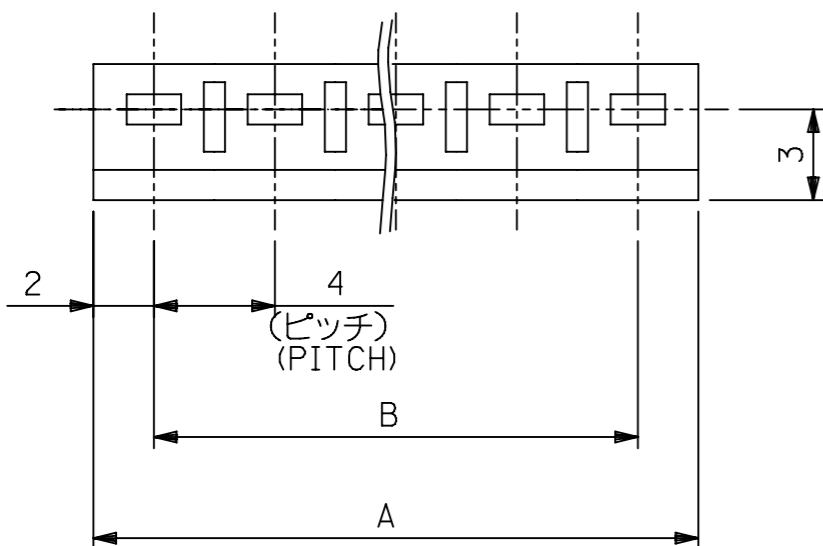
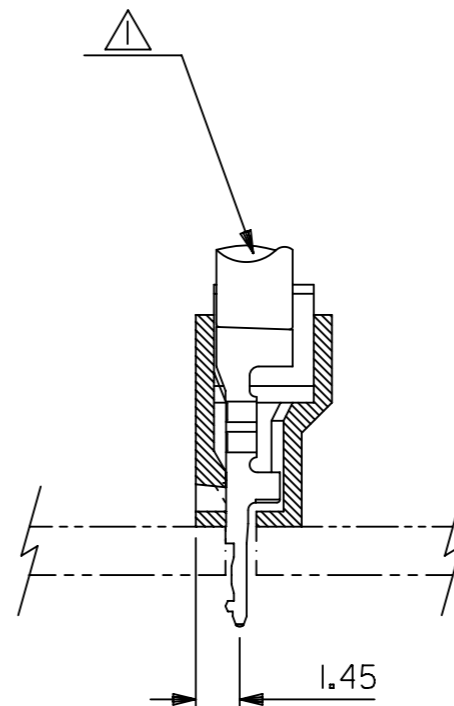
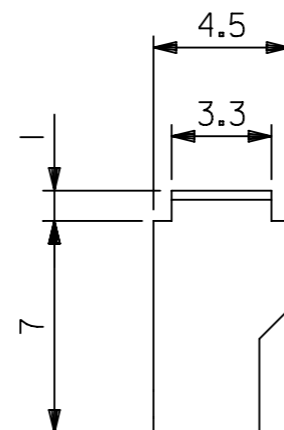
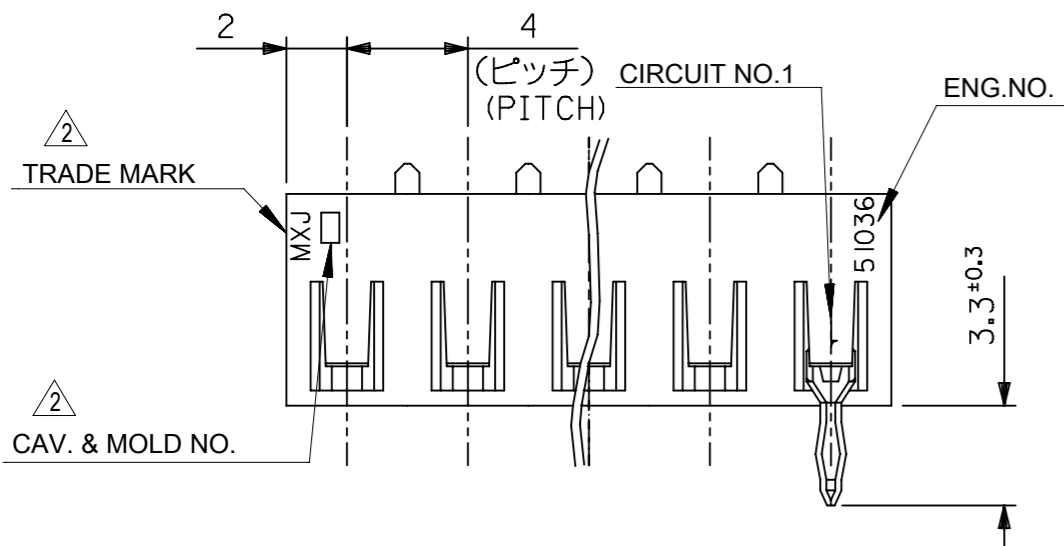
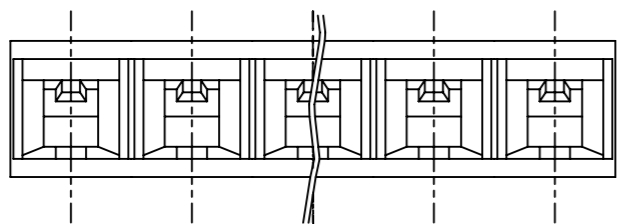
注記
NOTE

- ① 適合ターミナル : 500978*00
APPLICABLE : 500978*00
- ② トレ - ドマーク : MXJにて表示。
キャビティー番号 : 1桁から2桁の数字にて表示。 金型番号 : アルファベット1文字にて表示。
TRADE MARK IS FORMED BY MXJ.
AND BY 1-2 DIGIT NUMBER (TO CAVITY NO.)
AND BY 1 LETTER OD ALPHABET (TO MOLD NO.)
- ③ ELV及びRoHS適合品
ELV AND RoHS COMPLIANT.

(公差非累積)
(NON-ACCUMULATIVE)



基板取付穴推奨寸法(基板厚: 1.6mm)
RECOMMENDED PC BOARD
HOLE DIMENSION
(THICKNESS: 1.6mm)



16	20	↑	0500	5
12	16	↓	0400	4
8	12	↓	0300	3
4	8		51036 0200	2
B	A		ENG.NO.	極数 CKT.

THIS DRAWING CONTAINS INFORMATION THAT IS PROPRIETARY TO MOLEX ELECTRONIC TECHNOLOGIES, LLC AND SHOULD NOT BE USED WITHOUT WRITTEN PERMISSION

材料 MATERIAL POLYAMIDE,UL94V-0	適用電線範囲 WIRE RANGE AVG#22 ~ 18,AV0.5 ~ 0.85	被覆外径 INS. RANGE Ø1.8 ~ 2.6
-------------------------------------	--	----------------------------------

GENERAL TOLERANCES (UNLESS SPECIFIED)	
10 ^{UNDER}	±0.2
10 ^{OVER} 30 ^{UNDER}	±0.25
30 ^{OVER}	±0.3
ANGULAR	±3°

mm	SCALE 4:1	CURRENT REV DESC: REMOVED OBSOLETE PART NUMBER AS PER PCN#510808.	
GENERAL TOLERANCES (UNLESS SPECIFIED)		EC NO: 736640	
4 PLACES	±	DRWN: LIKITV	2023/01/25
3 PLACES	±	CHK'D: GGA	2023/02/16
2 PLACES	±	APPR: GGA	2023/02/16
1 PLACE	±	INITIAL REVISION:	
0 PLACES	±	DRWN: KSAND	1996/06/30
ANGULAR TOL	± °	APPR: MENOMOTO	1996/06/30
DRAFT WHERE APPLICABLE MUST REMAIN WITHIN DIMENSIONS		THIRD ANGLE PROJECTION	DRAWING
		A3-SIZE	SERIES
		51036	MATERIAL NUMBER
		SEE TABLE	CUSTOMER
		GENERAL MARKET	SHEET NUMBER
			1 OF 1

molex

4.0 BOARD IN CONNECTOR HOUSING

PRODUCT CUSTOMER DRAWING

DOCUMENT NUMBER	DOC TYPE	DOC PART	REVISION
SD-51036-001	PSD	001	H3