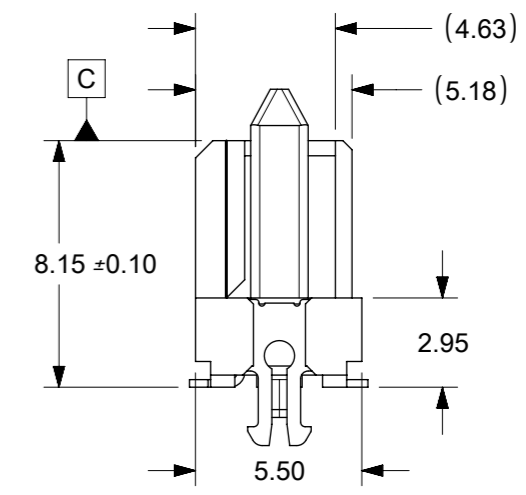
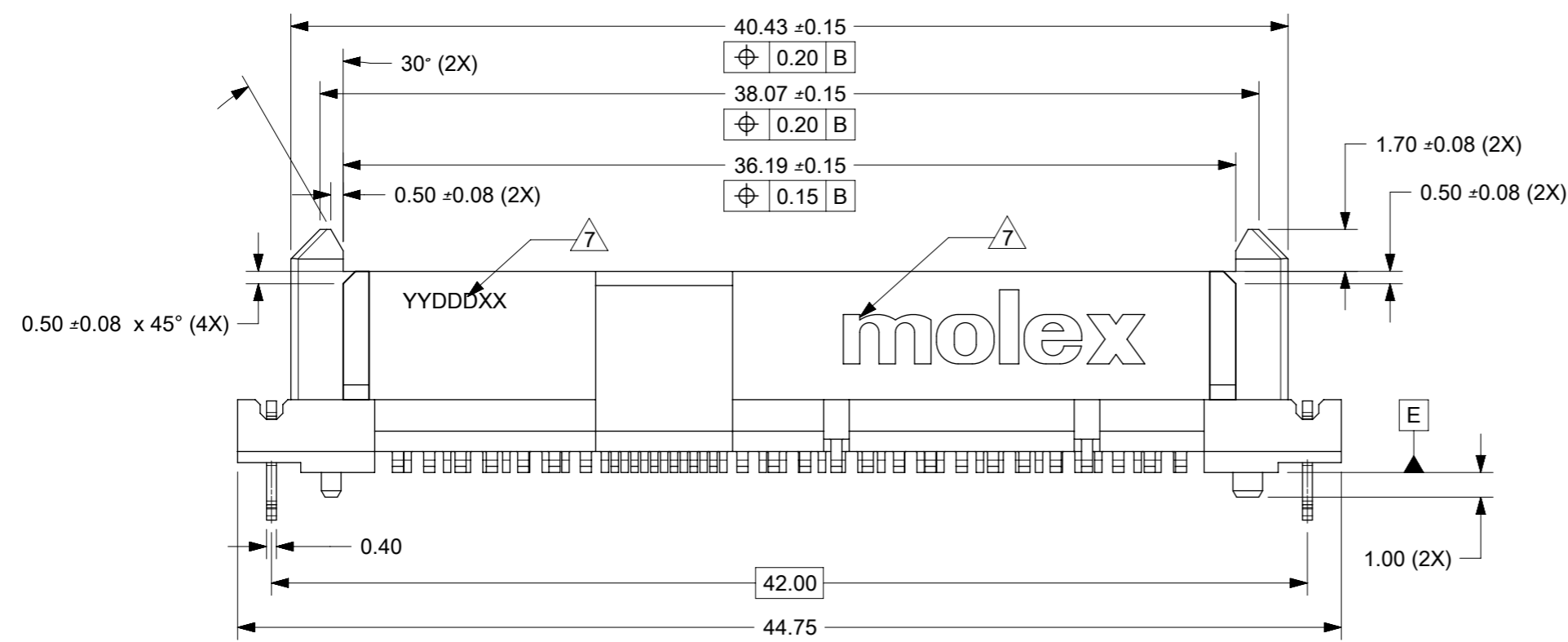


- NOTES:
- MATERIALS:  
HOUSING: LCP, GLASS FILLED, UL94V-0, COLOR: BLACK  
TERMINALS & SMT CLIP: COPPER ALLOY
  - FINISHES:  
TERMINALS:  
0.76µM MIN GOLD ON CONTACTS OVER 1.27µM MIN NICKEL UNDERPLATE.  
2.54µM MIN MATTE TIN ON SOLDER TAIL OVER 1.27µM MIN NICKEL UNDERPLATE.  
SMT CLIP:  
2.54µM MIN MATTE TIN OVER 1.27µM MIN NICKEL UNDERPLATE
  - PRODUCT SPECIFICATION: PS-78777-001
  - PACKAGING SPECIFICATION: PK-78777-001
  - REFER TO AS-78777-001 FOR PCB ROUTING RECOMMENDATIONS.
  - NON FUNCTIONAL CORING TO VARIES.
  - MOLEX LOGO, DATE CODE AND CAVITY ID TO BE LOCATED APPROXIMATELY AS SHOWN.
  - PRODUCT IS COMPLIANT TO RoHS DIRECTIVE WITH THE FOLLOWING BANNED SUBSTANCES - LEAD, MERCURY, CADMIUM, HEXAVALENT CHROMIUM, POLYBROMINATED BIPHENYLS AND POLYBROMINATED DIPHENYL ETHERS.



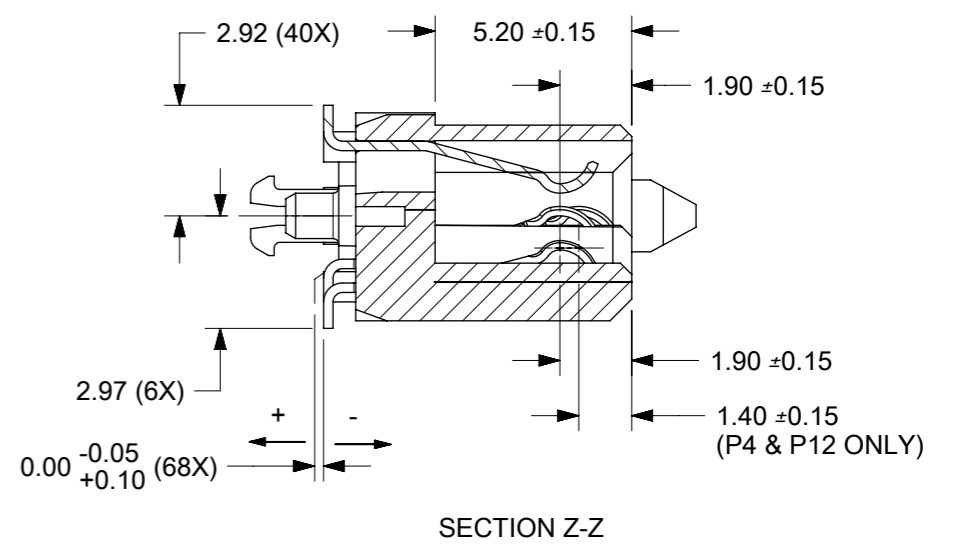
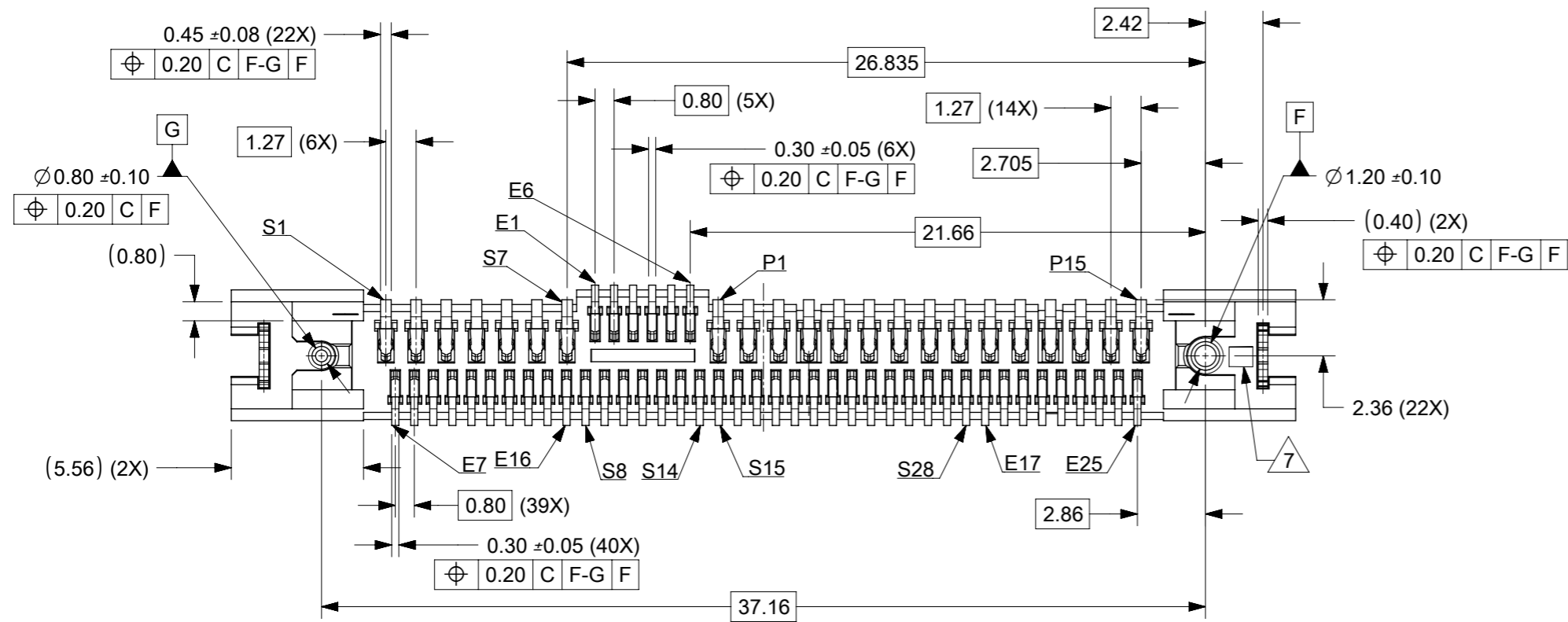
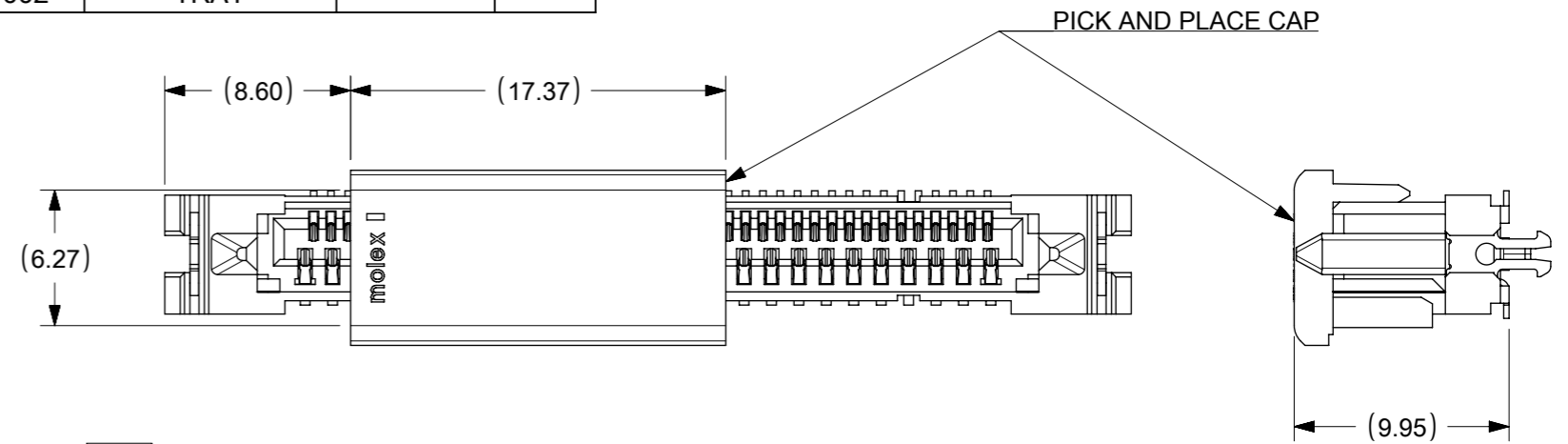
YYDDXX

YEAR  
DAYS

ASSEMBLY LINE CODE  
1# = EXISTING LINE  
2# = NEW LINE

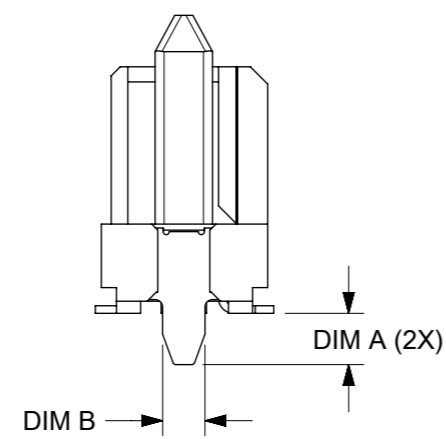
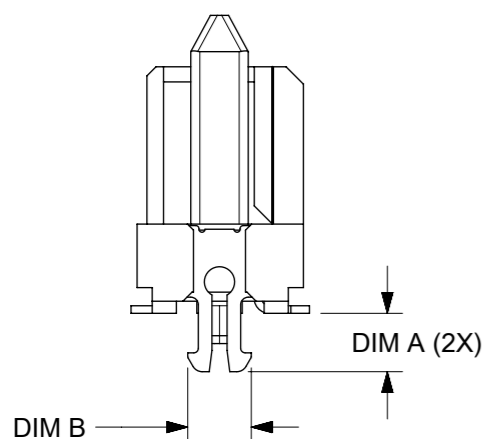
THIS DRAWING CONTAINS INFORMATION THAT IS PROPRIETARY TO MOLEX ELECTRONIC TECHNOLOGIES, LLC AND SHOULD NOT BE USED WITHOUT WRITTEN PERMISSION									
DIMENSION UNITS <b>mm</b>		SCALE <b>NTS</b>		CURRENT REV DESC: CORRECT PCB INFO TYPO DURING ECTR REMASTERING @SHT3-D3					
GENERAL TOLERANCES (UNLESS SPECIFIED)									
ANGULAR TOL ± 3.0°									
4 PLACES ±		EC NO: 637686		SAS/PCIE		STD HEIGHT BACKPLANE SMT RECEPTACLE			
3 PLACES ±		DRWN: CWANG25 2020/05/06		PRODUCT CUSTOMER DRAWING					
2 PLACES ±		CHK'D: CWANG25 2020/05/27		DOCUMENT NUMBER		DOC TYPE		DOC PART	
1 PLACE ±		APPR: SHONG 2020/06/01		SD-78777-101		PSD		000	
0 PLACES ±		INITIAL REVISION:		2016/10/01		REVISION		B1	
DRAFT WHERE APPLICABLE MUST REMAIN WITHIN DIMENSIONS		THIRD ANGLE PROJECTION		DRAWING		SERIES		MATERIAL NUMBER	
		A3-SIZE		78777		CUSTOMER		GENERAL MARKET	
						SEE TABLE		1 OF 3	

PART NO	HOLD DOWN	BLADE/ FORKLOCK HEIGHT DIM A (2X)	PICK & PLACE CAP	PACKAGING SPECIFICATION	PACKAING	DIM T $\triangle 9$	DIM B
78777-1002	FORKLOCK	1.93	YES	PK-78777-001	TAPE AND REEL	2.36±0.10	2.10
78777-1003	FORKLOCK			PK-78777-002	TRAY		
78777-1004	MOUNT BLADE	1.70	YES	PK-78777-001	TAPE AND REEL	1.30±0.10	1.40
78777-1005	MOUNT BLADE			PK-78777-002	TRAY		



FORKLOCK OPTION

MOUNT BLADE OPTION



THIS DRAWING CONTAINS INFORMATION THAT IS PROPRIETARY TO MOLEX ELECTRONIC TECHNOLOGIES, LLC AND SHOULD NOT BE USED WITHOUT WRITTEN PERMISSION

DIMENSION UNITS <b>mm</b>	SCALE <b>NTS</b>	CURRENT REV DESC: CORRECT PCB INFO TYPO DURING ECTR REMASTERING @SHT3-D3	<b>molex</b>		
GENERAL TOLERANCES (UNLESS SPECIFIED)		EC NO: 637686			
ANGULAR TOL	± 3.0°	DRWN: CWANG25	2020/05/06		
4 PLACES	±	CHK'D: CWANG25	2020/05/27		
3 PLACES	±	APPR: SHONG	2020/06/01		
2 PLACES	± 0.2	INITIAL REVISION:	DOCUMENT NUMBER		
1 PLACE	±	DRWN: BTEJA	SD-78777-101		
0 PLACES	±	APPR: SHONG	PSD 000 B1		
DRAFT WHERE APPLICABLE MUST REMAIN WITHIN DIMENSIONS	THIRD ANGLE PROJECTION	DRAWING	SERIES	MATERIAL NUMBER	CUSTOMER
		A3-SIZE	78777	SEE TABLE	GENERAL MARKET
DOCUMENT STATUS		P1	RELEASE DATE	2020/06/01	02:03:22
SHEET NUMBER		2 OF 3			

