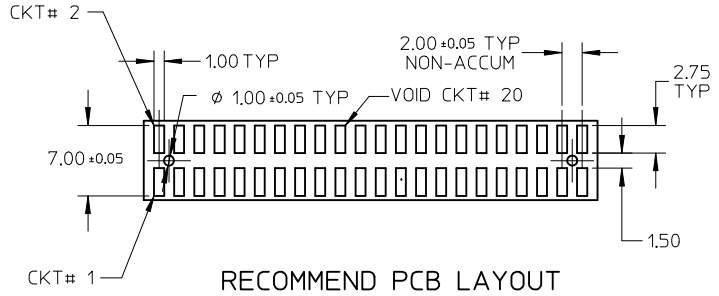
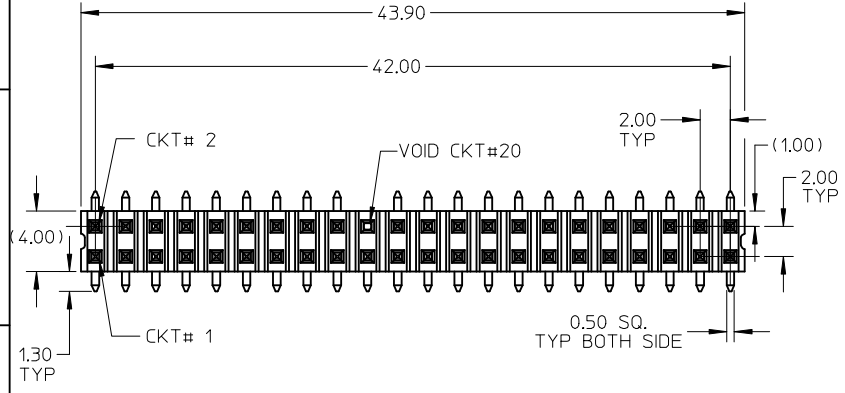


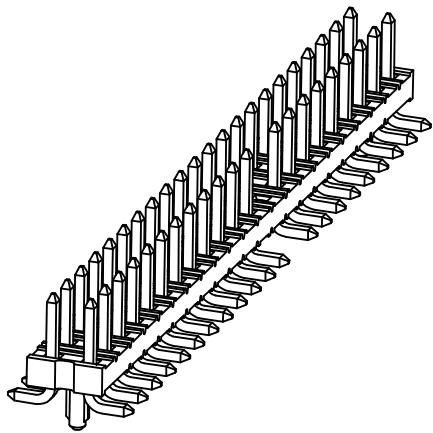
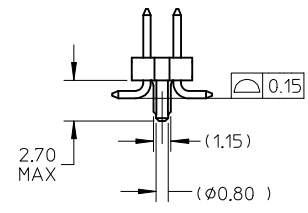
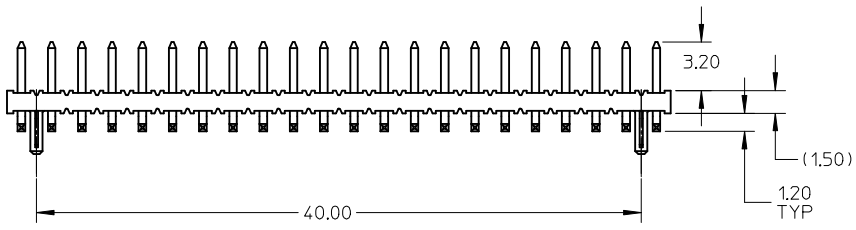
PACKAGING OPTION PART NO.			CKT SIZE	VOID POSITION	PLATING TYPE
TAPE & REEL WITH CAP	TUBE WITH CAP	TUBE WITHOUT CAP			
87759-6005	87759-6006	87759-6007	44	20	1



RECOMMEND PCB LAYOUT

NOTES:

- MATERIAL:  
HOUSING: GLASS FILLED, NYLON 46, UL94V-0, COLOR: BLACK  
TERMINAL: COPPER ALLOY 0.50mm SQ
  - PLATING TYPE:  
(1) 10µn MIN. GOLD PLATE ON CONTACT, 100µn MIN. TIN ON SOLDER TAIL, BOTH OVER 50µn MIN. NICKEL OVERALL.
  - PIN PUSHOUT FORCE: 1KG MIN IN EITHER DIRECTION
  - FOR PACKAGING OPTION PLEASE REFER TO THE TABLE.
- △ CAP TO BE PLACED AS NEAR TO THE CENTRE OF PART AS POSSIBLE AND FULLY FLUSH TO THE WAFER SURFACE.



REVISED TUBE SPEC EC NO: S2007-0829 DRWN:SKL IM01 2007/04/10 CHKD:CWLAN 2007/04/12 APPR:KWLEE 2007/04/17	QUALITY SYMBOLS ▽=0 ∇=0	GENERAL TOLERANCES (UNLESS SPECIFIED)		DIMENSION STYLE MM ONLY		SCALE NTS	DESIGN UNITS METRIC	THIRD ANGLE PROJECTION		
			mm	INCH	DRAWN BY KSEE	DATE 2005/01/04	TITLE CUSTOM HEADER MGRID, 2.00MM PITCH, HDR DUAL ROW S/WAFER, SMT			
		4 PLACES	± ---	± ---	CHECKED BY PTL IM	DATE 2005/01/12	MATERIAL NO. SD-87759-231			
		3 PLACES	± ---	± ---	APPROVED BY SCLOW	DATE 2005/01/12	DOCUMENT NO. 1 OF 3			
			2 PLACES	± 0.2	± ---	DRAFT WHERE APPLICABLE MUST REMAIN WITHIN DIMENSIONS				
			1 PLACE	± ---	± ---	SIZE A3				
			ANGULAR ± 3 °		THIS DRAWING CONTAINS INFORMATION THAT IS PROPRIETARY TO MOLEX INCORPORATED AND SHOULD NOT BE USED WITHOUT WRITTEN PERMISSION					

10 9 8 7 6 5 4 3 2 1

F

E

D

C

B

A

F

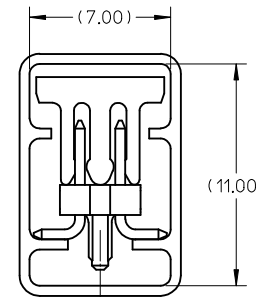
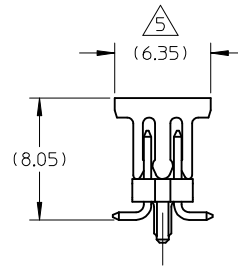
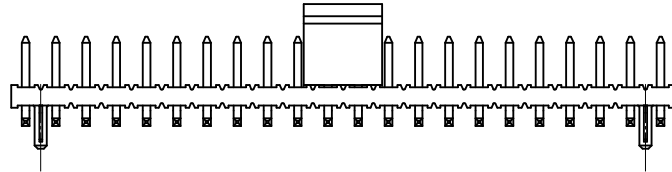
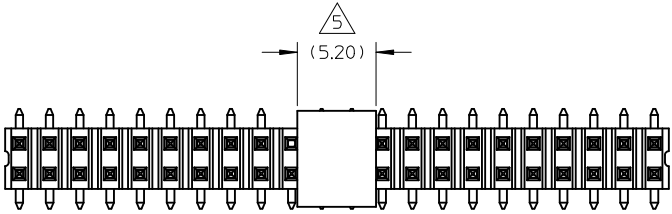
E

D

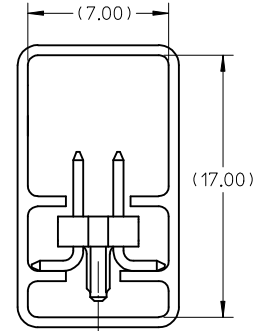
C

B

A



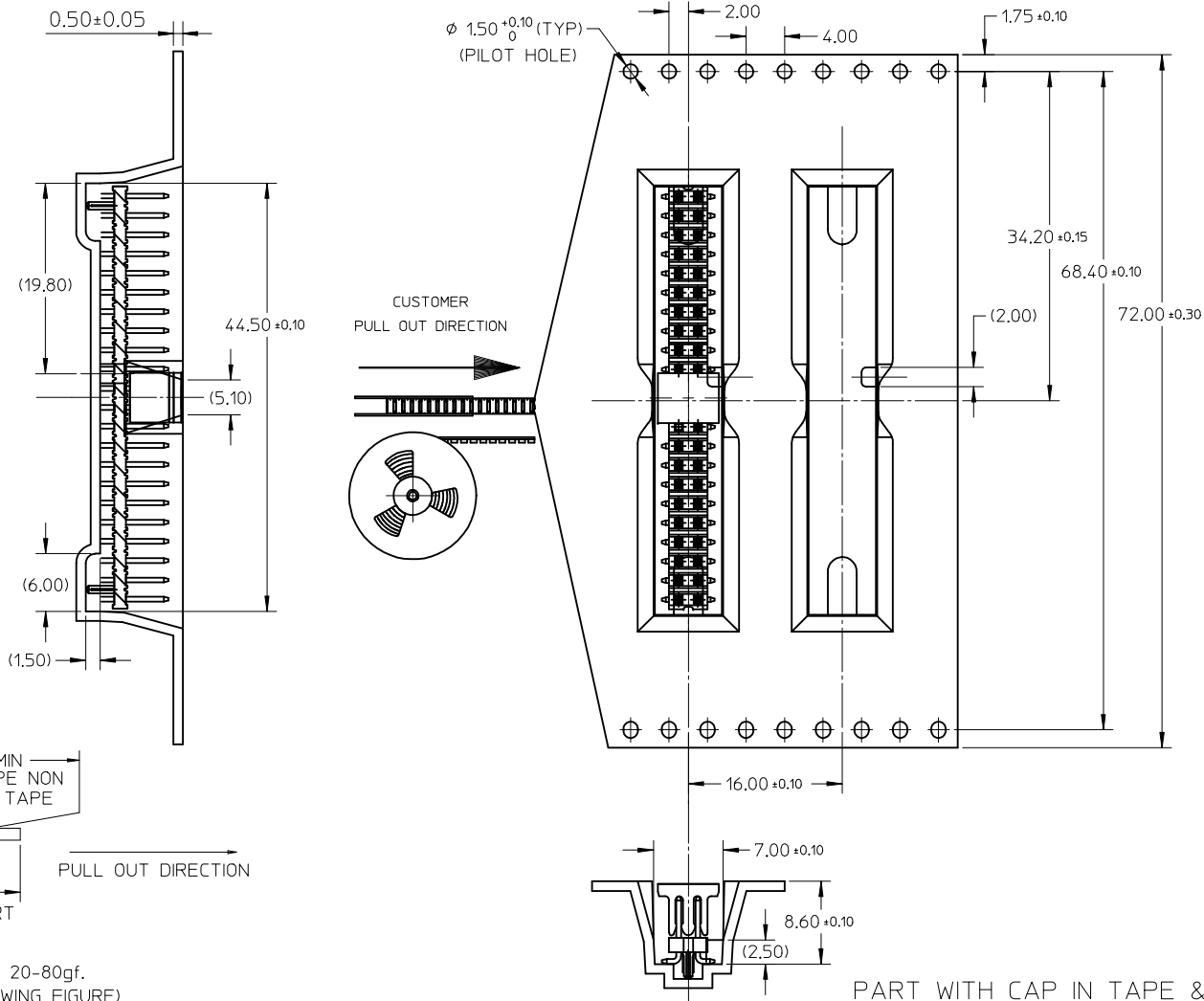
PART WITH CAP  
IN TUBE



PART WITHOUT CAP  
IN TUBE

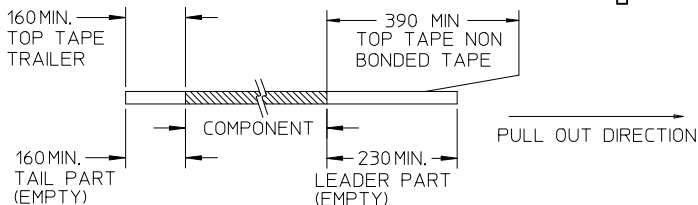
REVISED TUBE SPEC EC NO: S2007-0829 DRWN:SKL IM01 2007/04/10 CHKD:CWLAM 2007/04/12 APPR:KWLEE 2007/04/17	DESCRIPTION REV	QUALITY SYMBOLS	GENERAL TOLERANCES (UNLESS SPECIFIED)		DIMENSION STYLE MM ONLY		SCALE NTS	DESIGN UNITS METRIC	THIRD ANGLE PROJECTION		
		$\nabla=0$ $\nabla C=0$	mm    INCH 4 PLACES ± --- ± --- 3 PLACES ± --- ± --- 2 PLACES ± 0.2 ± --- 1 PLACE ± --- ± --- ANGULAR ± 3 °	DRAWN BY KSEE CHECKED BY PTL IM APPROVED BY SCLOW MATERIAL NO. SEE TABLE	DATE 2005/01/04 DATE 2005/01/12 DATE 2005/01/12	TITLE CUSTOM HEADER MGRID, 2.00MM PITCH, HDR DUAL ROW S/WAFER, SMT MOLEX INCORPORATED		DOCUMENT NO. SD-87759-231	SHEET NO. 2 OF 3		
		DRAFT WHERE APPLICABLE MUST REMAIN WITHIN DIMENSIONS		THIS DRAWING CONTAINS INFORMATION THAT IS PROPRIETARY TO MOLEX INCORPORATED AND SHOULD NOT BE USED WITHOUT WRITTEN PERMISSION							

9 8 7 6 5 4 3 2 1

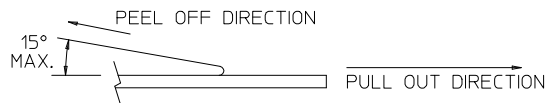


NOTES:

1. LEADER AND TRAILER TAPE



2. PEELING OFF FORCE OF THE TOP TAPE: 20-80gf.  
(PEELING DIRECTION AS SHOWN IN FOLLOWING FIGURE)



- 3. TAPE AND REEL SPECIFICATION IS AS PER EIA-481.
- 4. TAPE AND REEL QUANTITY : 450 PCS/ REEL.
- 5. THE TAPE IS TREATED FOR ANTI-STATIC.

REVISED TUBE SPEC	EC NO: S2007-0829	2007/04/10	QUALITY SYMBOLS	GENERAL TOLERANCES (UNLESS SPECIFIED)		DIMENSION STYLE		SCALE	DESIGN UNITS	THIRD ANGLE PROJECTION
	DRWN:SKL IM01	2007/04/12		mm	INCH	MM ONLY	NTS	METRIC		
	CHKD:GWLAM	2007/04/12		4 PLACES ± --- ± ---	3 PLACES ± --- ± ---	DRAWN BY	DATE	TITLE		
	APPR:KNLEE	2007/04/17		2 PLACES ± 0.2 ± ---	1 PLACE ± --- ± ---	KSEE	2005/01/04	CUSTOM HEADER		
				ANGULAR ± 3 °	PTLIM	2005/01/12	MGRID, 2.00MM PITCH, HDR DUAL ROW S/WAFER, SMT			
					APPROVED BY	DATE	MOLEX MOLEX INCORPORATED			
					SCLOW	2005/01/12	SD-87759-231			
					MATERIAL NO.		DOCUMENT NO.			
					SEE TABLE		SHEET NO.			
					DRAFT WHERE APPLICABLE MUST REMAIN WITHIN DIMENSIONS		3 OF 3			
					SIZE	THIS DRAWING CONTAINS INFORMATION THAT IS PROPRIETARY TO MOLEX INCORPORATED AND SHOULD NOT BE USED WITHOUT WRITTEN PERMISSION				
					A3					