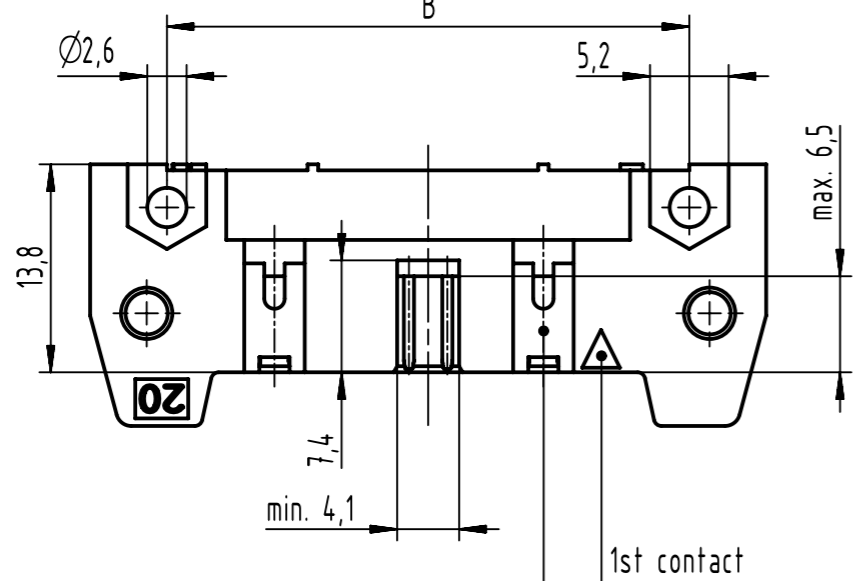
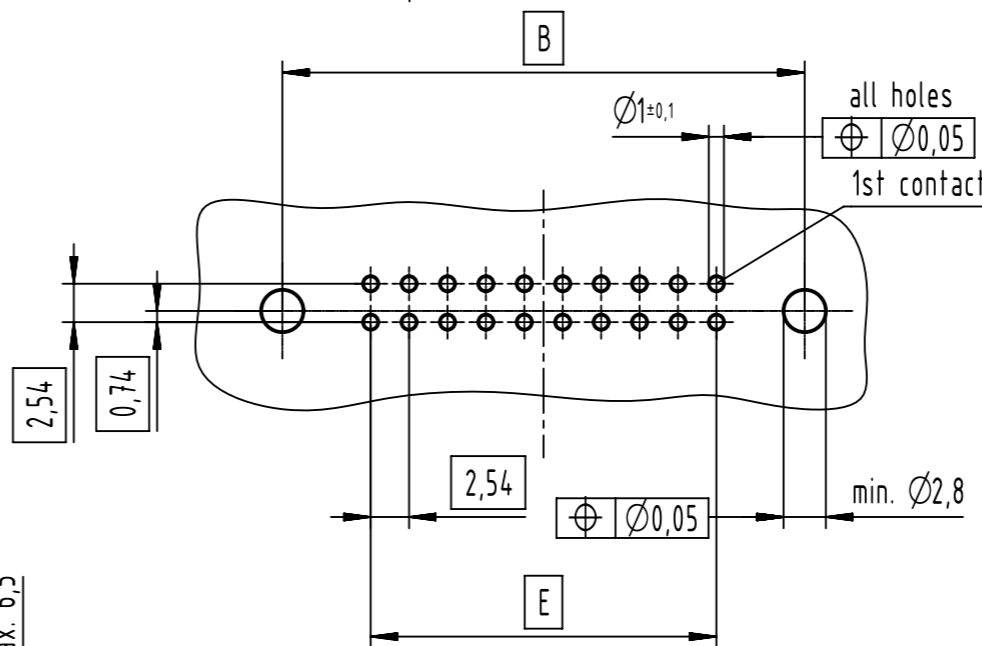
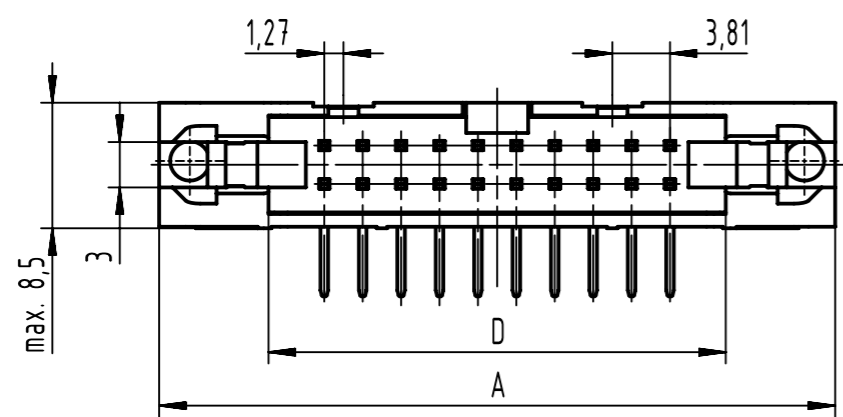
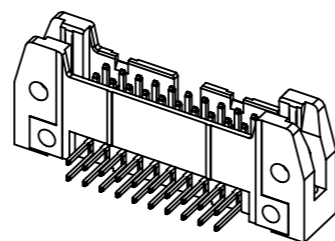


PCB layout
view component side
thickness up to 3,2



see table for coding,
feature arrangement and style



further information see
product data sheet

full range of P/N's and
dimensions shown on page 2/2


coding style table	
	style A: for connectors 6-pole
	style B: for connectors from 10 to 14-pole
	style C: for connectors from 16 to 64-pole

All Dimensions in mm Original Size DIN A3		Scale 2:1	Free size tol. IEC 60603-13		Ref. Sub.
All rights reserved Department EL PD		Created by STORCK	Inspected by LEHNERT	Standardisation 302077	Date 2021-02-02
HARTING D-32339 Espelkamp		Title SEK 18 male STD solder angled without lever 4.5			Doc-Key / ECM-Nr. 100154464/UGD/024/B 500000163153
		Type TB	Number 09185XXX921		Rev. B Page 1/2

A
B
C
D
E
F

A
B
C
D
E
F

no. of contacts	performance level			insulator colour	remark	dimensions			
	PL3	PL2	NM30 (S4)			A max.	B	D	E
06	09 18 506 7921	09 18 506 6921	09 18 506 5921	grey	-	27,22	16,76	12,45	2,54 x 2 = 5,08
10	09 18 510 7921	09 18 510 6921	09 18 510 5921			32,30	21,84	17,53	2,54 x 4 = 10,16
14	09 18 514 7921	09 18 514 6921	09 18 514 5921			37,38	26,92	22,61	2,54 x 6 = 15,24
16	09 18 516 7921	09 18 516 6921	09 18 516 5921			39,92	29,46	25,15	2,54 x 7 = 17,78
20	09 18 520 7921	09 18 520 6921	09 18 520 5921			45,00	34,54	30,23	2,54 x 9 = 22,86
24	09 18 524 7921	09 18 524 6921	09 18 524 5921			50,08	39,62	35,91	2,54 x 11 = 27,94
26	09 18 526 7921	09 18 526 6921	09 18 526 5921			52,62	42,16	37,85	2,54 x 12 = 30,48
30	09 18 530 7921	09 18 530 6921	09 18 530 5921			57,70	47,24	42,93	2,54 x 14 = 35,56
34	09 18 534 7921	09 18 534 6921	09 18 534 5921			62,78	52,32	48,01	2,54 x 16 = 40,64
40	09 18 540 7921	09 18 540 6921	09 18 540 5921			70,40	59,94	55,63	2,54 x 19 = 48,26
50	09 18 550 7921	09 18 550 6921	09 18 550 5921			83,10	72,64	68,33	2,54 x 24 = 60,96
60	09 18 560 7921	09 18 560 6921	09 18 560 5921			95,80	85,34	81,03	2,54 x 29 = 73,66
64	09 18 564 7921	09 18 564 6921	09 18 564 5921			100,88	90,42	86,11	2,54 x 31 = 78,74
06	09 18 506 7921 001	09 18 506 6921 001	09 18 506 5921 001			black	without printing; available on request	27,22	16,76
10	09 18 510 7921 001	09 18 510 6921 001	09 18 510 5921 001	32,30	21,84			17,53	2,54 x 4 = 10,16
14	09 18 514 7921 001	09 18 514 6921 001	09 18 514 5921 001	37,38	26,92			22,61	2,54 x 6 = 15,24
16	09 18 516 7921 001	09 18 516 6921 001	09 18 516 5921 001	39,92	29,46			25,15	2,54 x 7 = 17,78
20	09 18 520 7921 001	09 18 520 6921 001	09 18 520 5921 001	45,00	34,54			30,23	2,54 x 9 = 22,86
24	09 18 524 7921 001	09 18 524 6921 001	09 18 524 5921 001	50,08	39,62			35,91	2,54 x 11 = 27,94
26	09 18 526 7921 001	09 18 526 6921 001	09 18 526 5921 001	52,62	42,16			37,85	2,54 x 12 = 30,48
30	09 18 530 7921 001	09 18 530 6921 001	09 18 530 5921 001	57,70	47,24			42,93	2,54 x 14 = 35,56
34	09 18 534 7921 001	09 18 534 6921 001	09 18 534 5921 001	62,78	52,32			48,01	2,54 x 16 = 40,64
40	09 18 540 7921 001	09 18 540 6921 001	09 18 540 5921 001	70,40	59,94			55,63	2,54 x 19 = 48,26
50	09 18 550 7921 001	09 18 550 6921 001	09 18 550 5921 001	83,10	72,64			68,33	2,54 x 24 = 60,96
60	09 18 560 7921 001	09 18 560 6921 001	09 18 560 5921 001	95,80	85,34			81,03	2,54 x 29 = 73,66
64	09 18 564 7921 001	09 18 564 6921 001	09 18 564 5921 001	100,88	90,42			86,11	2,54 x 31 = 78,74

	All rights reserved	Scale 1:1	Free size tol.	Ref.	
	Department EL PD	Created by STORCK	Inspected by LEHNERT	Standardisation 302077	Sub.
HARTING D-32339 Espelkamp		Title SEK 18 male STD solder angled without lever 4.5		Date 2021-02-02	State Final Release
		Type TB	Number 09185XXX921	Doc-Key / ECM-Nr. 100154464/UGD/024/B 500000163153	Page 2/2