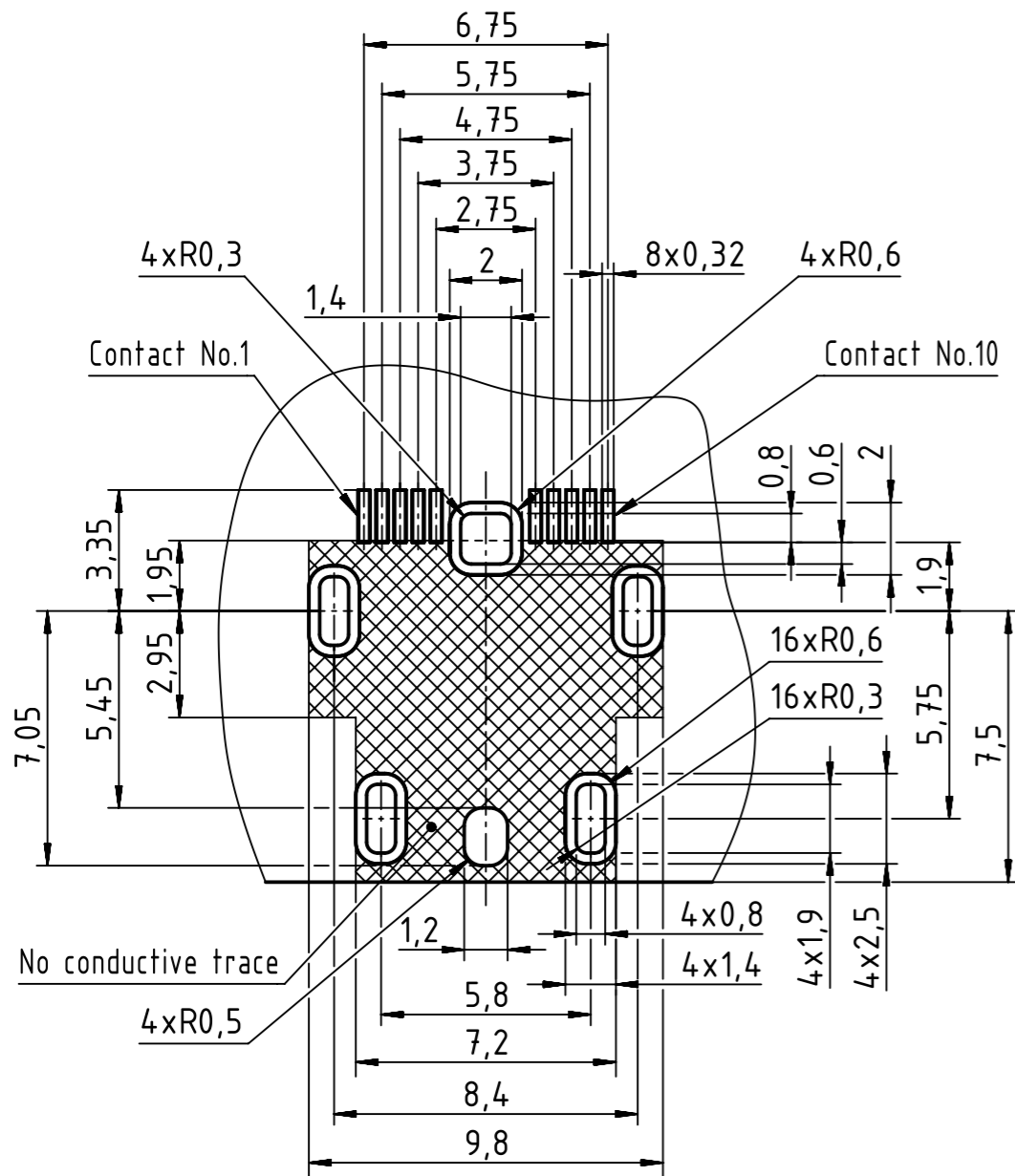


09452819000: Tape & reel packaging (400 pcs.)  
 09452819000333: Single packaging (1 pcs.)

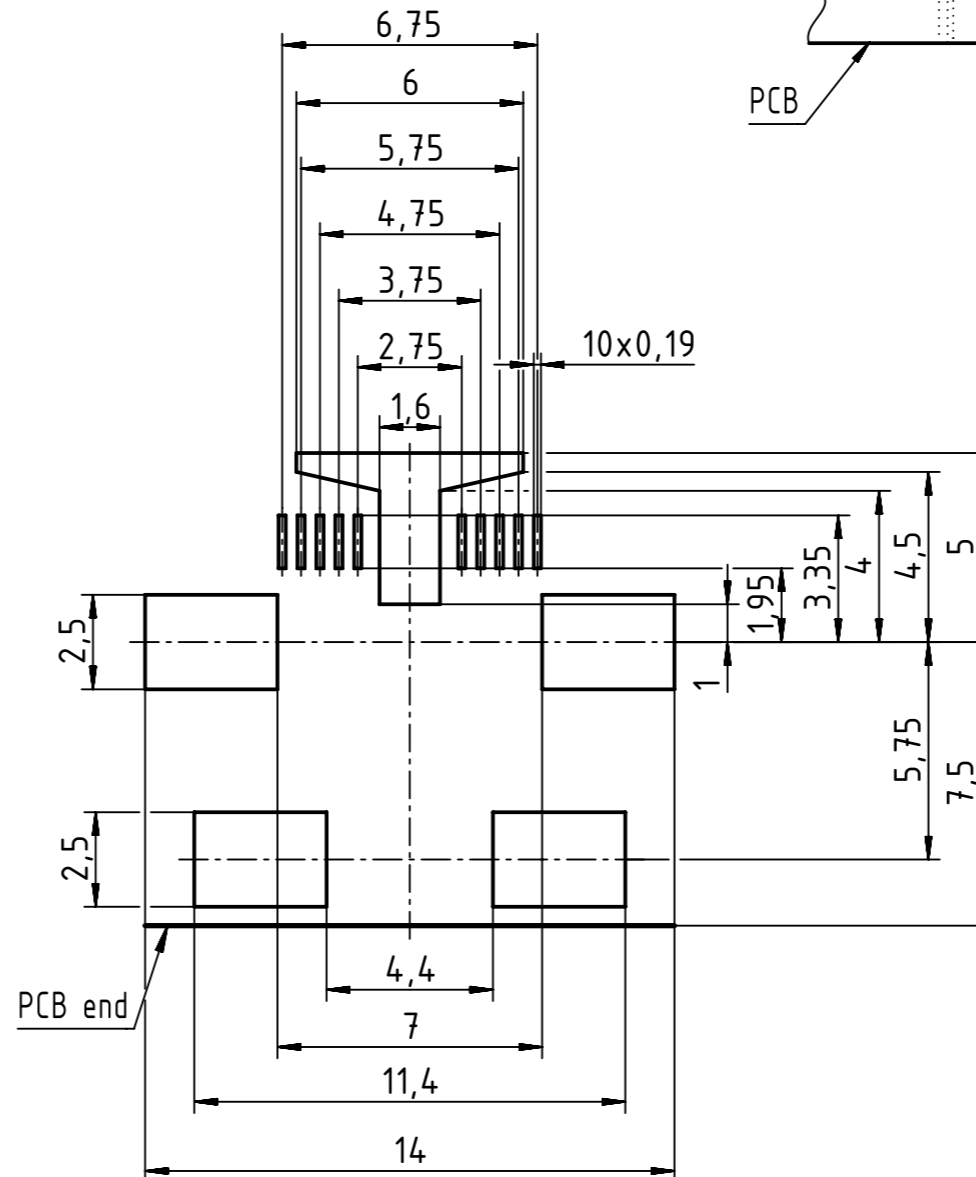
This product is mounted by reflow soldering.  
 Contact material: copper alloy  
 Contact area: Gold 0.2µm min.  
 Lead area: Gold 0.03µm min.  
 Under plating: Nickel 2µm min.

	All rights reserved	Created by 402602	Inspected by PRIESTER	Standardisation HOFFMANN	Date 2020-05-13	State Final Release
	Department EL PD	Title ix Industrial 10B-1 jack AV (T&R400)			Doc-Key / ECM-Nr. 100744153/UGD/000/E 500000172455	
HARTING Electronics GmbH D-32339 Espelkamp		Type TB	Number 09452819000		Rev. E	Page 1/3

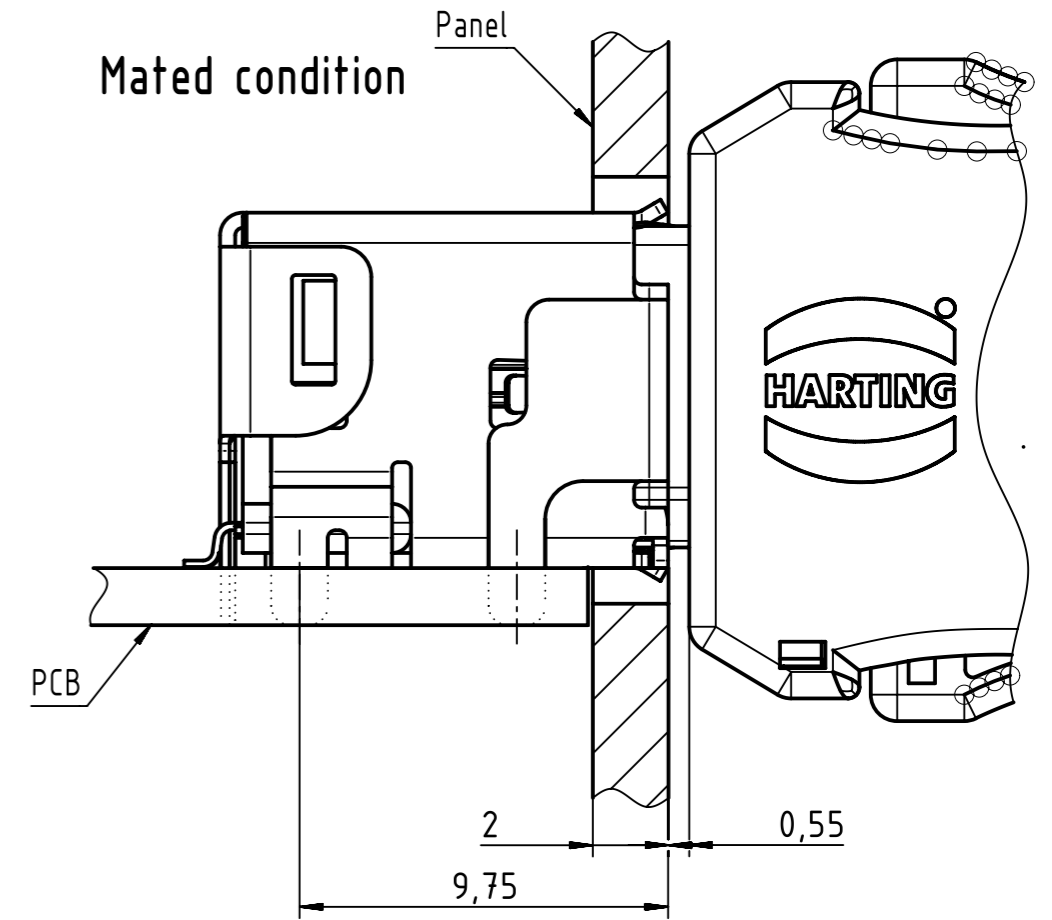
Reference PCB Layout (t=1.6)



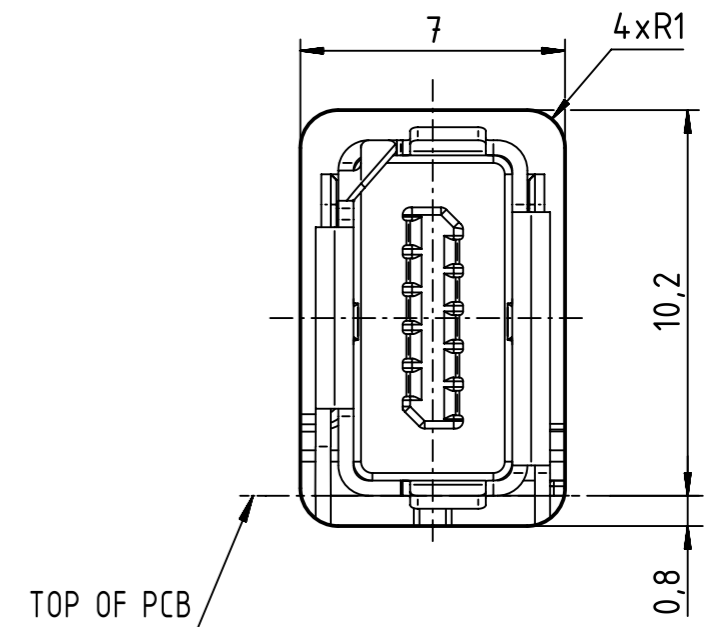
Example Metal Mask Layout (t=0.15)  
(SMD pitch >14.5)



Mated condition



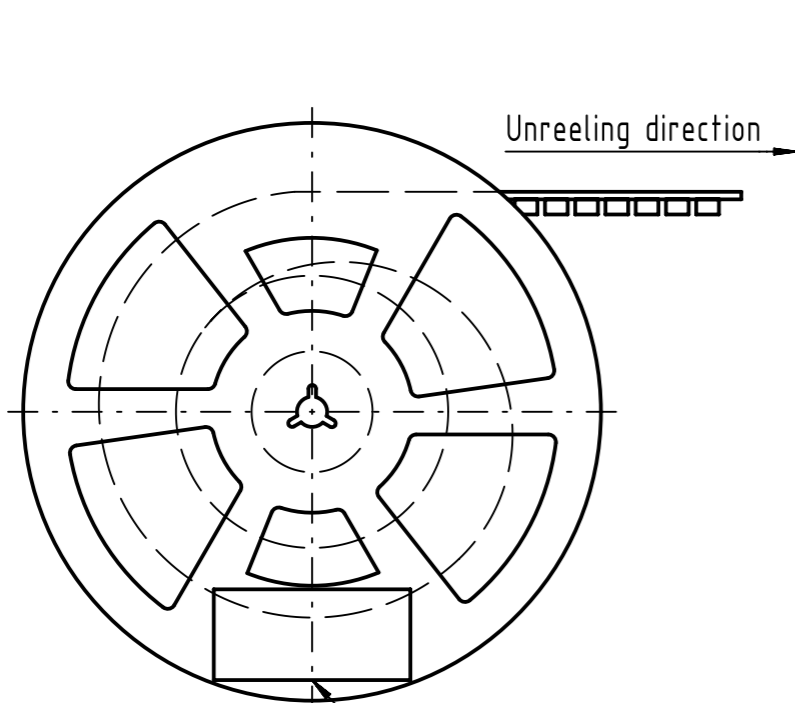
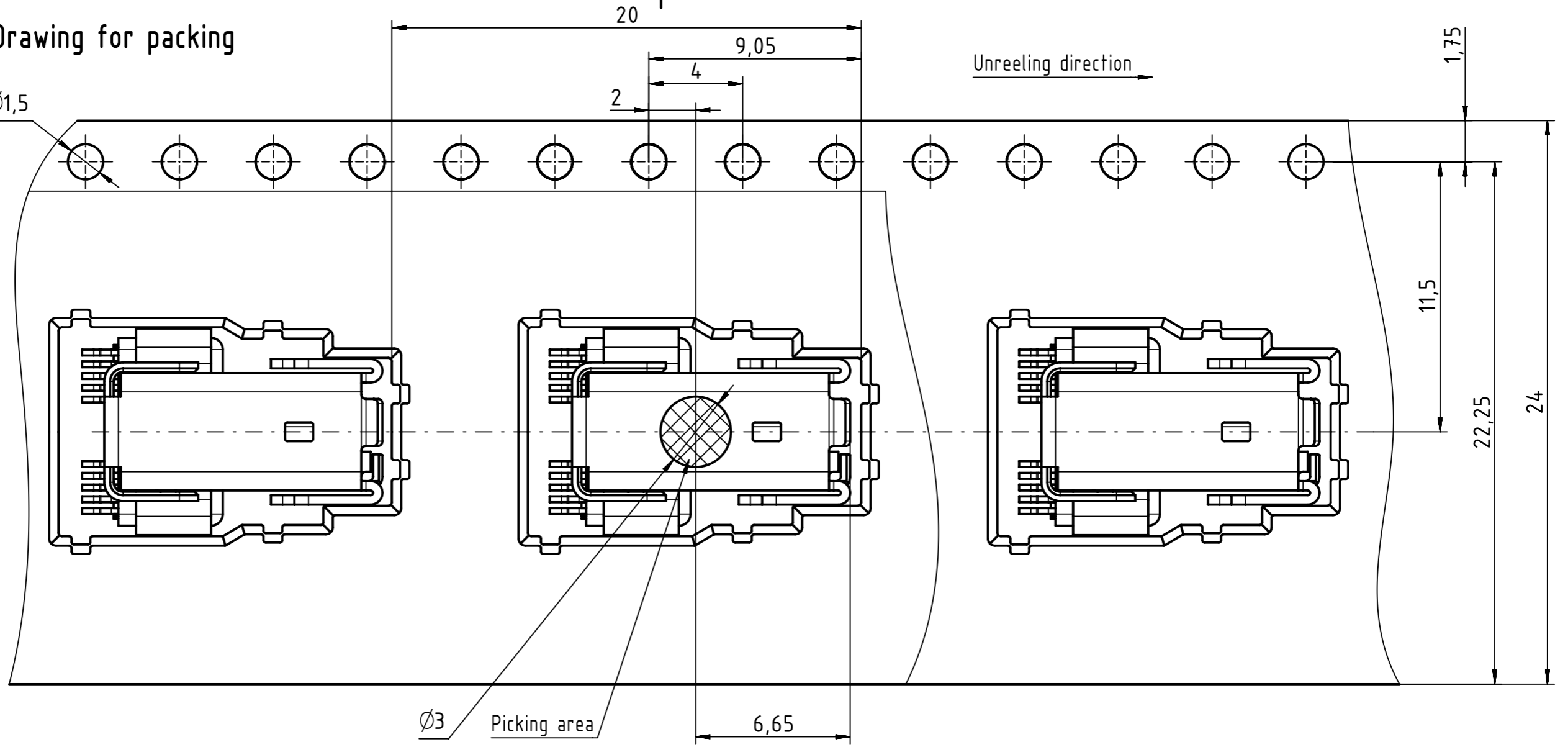
Reference dimensions of panel cut out



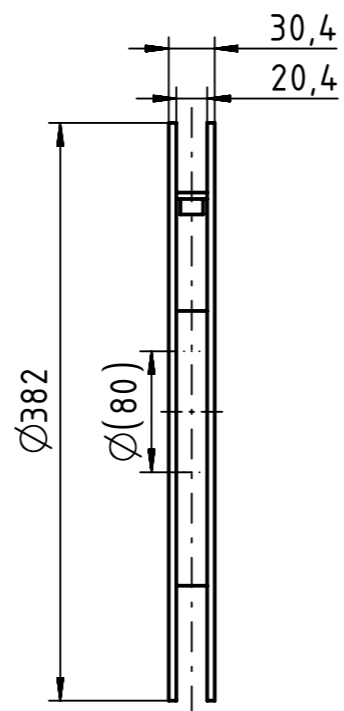
	All rights reserved	Created by 402602	Inspected by PRIESTER	Standardisation HOFFMANN	Date 2020-05-13	State Final Release	Ref. Sub.
	Department EL PD	Title ix Industrial 10B-1 jack AV (T&R400)				Doc-Key / ECM-Nr. 100744153/UGD/000/E 500000172455	
HARTING Electronics GmbH D-32339 Espelkamp		Type TB	Number 09452819000		Rev. E	Page 2/3	


Drawing for packing

Ø1,5



Label (Part No. Code No. Lot No. Packing quantity)



	All Dimensions in mm Original Size DIN A3		Scale 5:1	Free size tol.		Ref.	
	All rights reserved		Created by 402602	Inspected by PRIESTER	Standardisation HOFFMANN	Date 2020-05-13	State Final Release
Department EL PD		Title ix Industrial 10B-1 jack AV (T&R400)				Doc-Key / ECM-Nr. 100744153/UGD/000/E 500000172455	
HARTING Electronics GmbH D-32339 Espelkamp		Type TB	Number 09452819000			Rev. E	Page 3/3