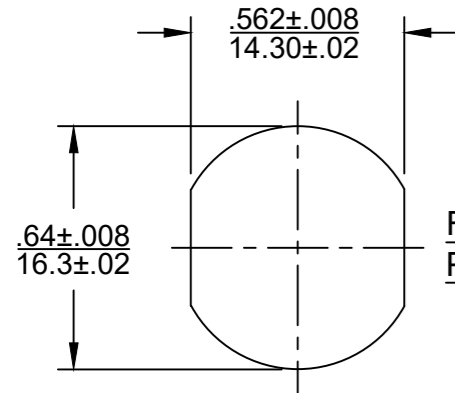
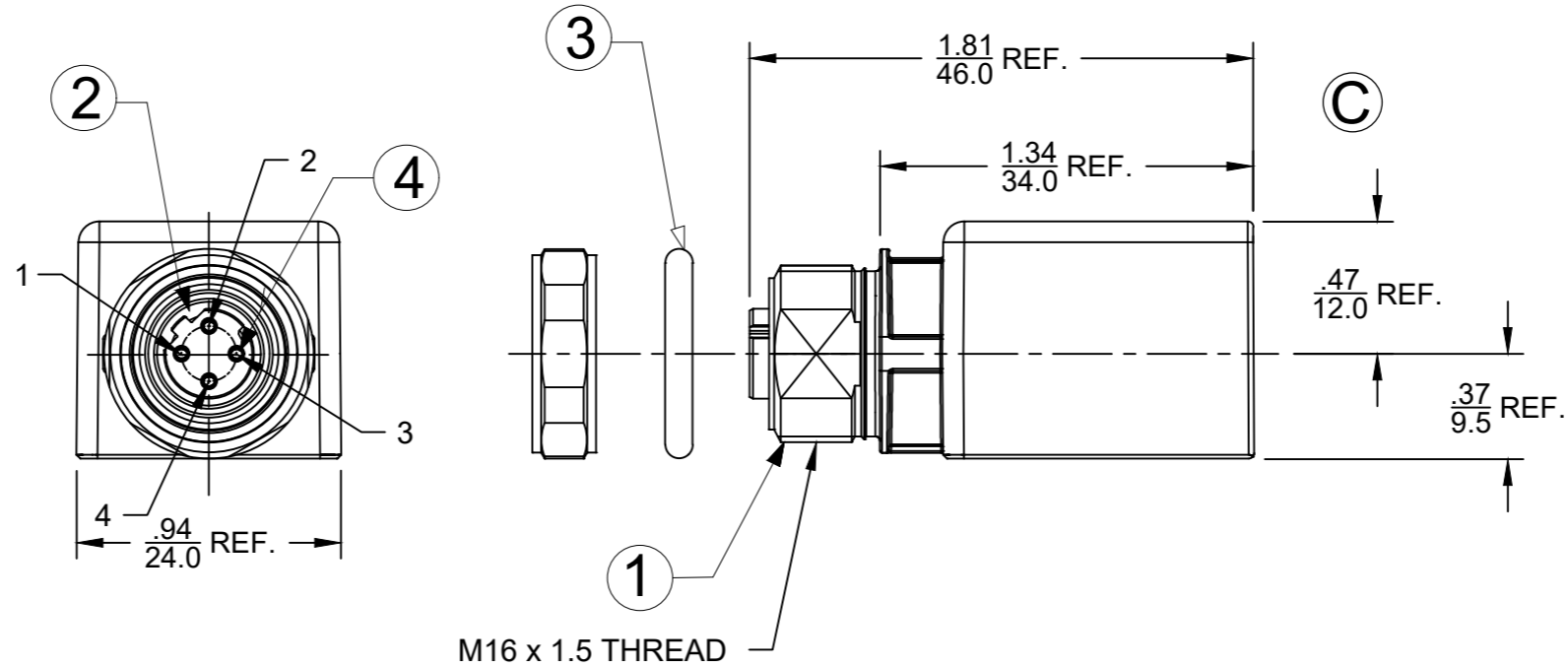


PART NO.	ENGINEERING NO.
1300540010	ER1PADAPTER90

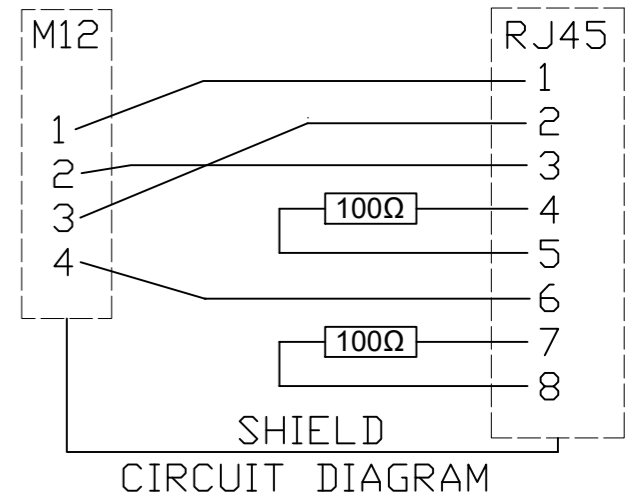
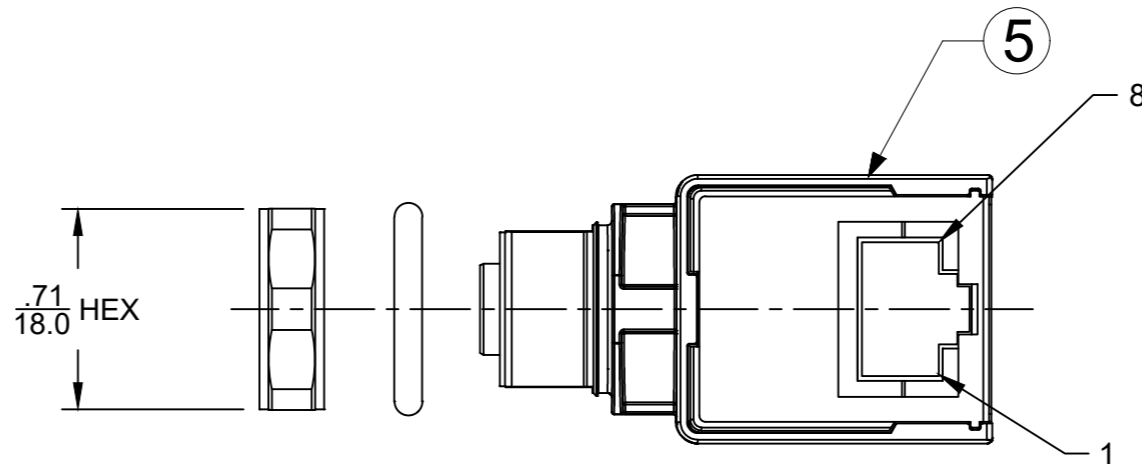


RECOMMENDED
PANEL CUT-OUT



NOTES:

- 1) MATERIAL: SEE TABLE
- 2) FINISHES: SEE TABLE
- 3) ELECTRICAL DATA: CAT 5E
- 4) ENVIRONMENTAL:
PROTECTION: M12 - IP65/IP67
RJ45 - IP20
TEMPERATURE: -5°C TO +60°C
- 5) ASSEMBLY IS RoHS COMPLIANT.



ITEM	DESCRIPTION	MATERIAL	FINISH
5	BODY	NYLON	BLACK
4	SOCKET CONTACT	COPPER ALLOY	GOLD PLATED
3	OUTER O-RING	NITRILE	GREEN
2	INSERT, D-CODE	NYLON	GRAY
1	SHELL	BRASS	NICKEL

FUNCTIONAL SYMBOLS F=0 E=0 P=0	THIS DRAWING CONTAINS INFORMATION THAT IS PROPRIETARY TO MOLEX ELECTRONIC TECHNOLOGIES, LLC AND SHOULD NOT BE USED WITHOUT WRITTEN PERMISSION									
	DIMENSION UNITS		SCALE		CURRENT REV DESC: UPDATE DIMS					
	INCH/MM		NTS		EC NO: 640233 DRWN: CCHRSTKA 2020/06/29 CHK'D: ALEON01 2020/07/01 APPR: BWOODMAN 2020/07/07					
	GENERAL TOLERANCES (UNLESS SPECIFIED)									
DIVISIONAL SYMBOLS		mm INCH		INITIAL REVISION:		DOCUMENT NUMBER				
4 PLACES ±----		±----		DRWN: VOU 2009/08/20		SD-120109-010				
3 PLACES ±----		±----		APPR: JFMURPHY 2009/08/21		DOC TYPE		DOC PART		REVISION
2 PLACES ±----		±----		ANGULAR TOL ± ---- °		PSD		001		C
1 PLACE ±----		±----		DRAFT WHERE APPLICABLE MUST REMAIN WITHIN DIMENSIONS		MATERIAL NUMBER		CUSTOMER		SHEET NUMBER
0 PLACES ±----		±----		THIRD ANGLE PROJECTION		SEE TABLE		GENERAL MARKET		1 OF 1
				DRAWING B-SIZE		SERIES 120109				

molex

D-CODED ADAPTER 90D
4P FEM M12 TO FEM RJ45 BACK PANEL MOUNT M16X1.5

PRODUCT CUSTOMER DRAWING