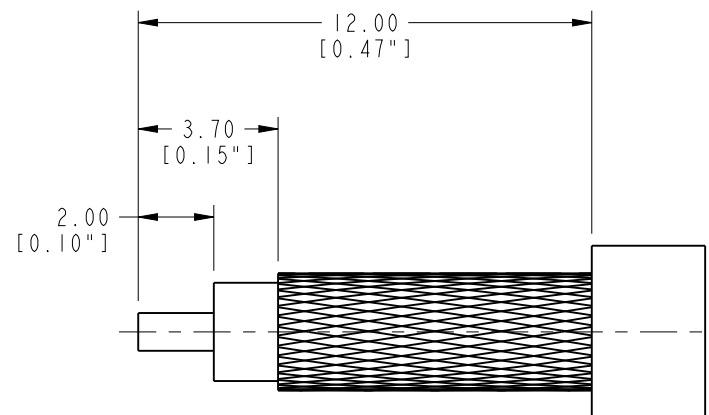


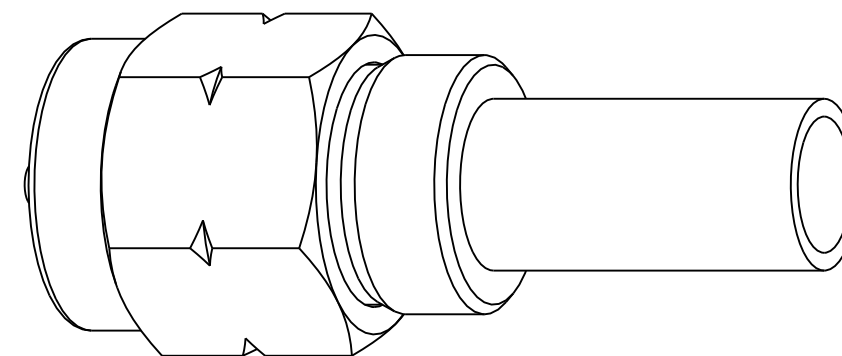
NOTES:

1. CRIMPED FERRULE HEX CRIMP SIZE 0.213"
2. CONTACT PIN TO SOLDER

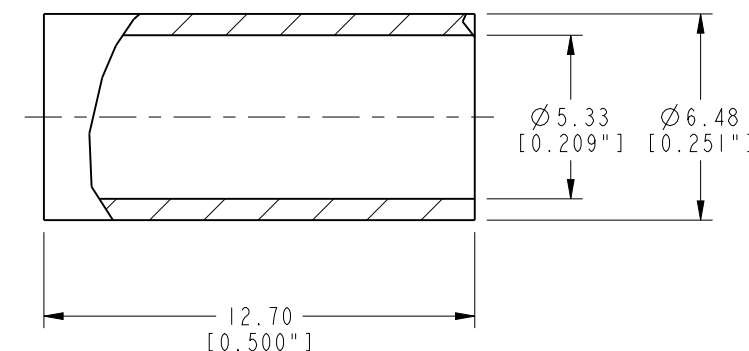
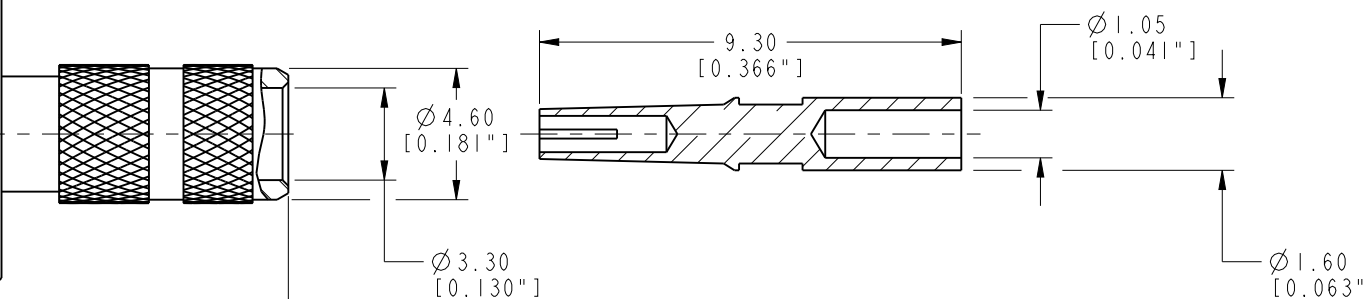
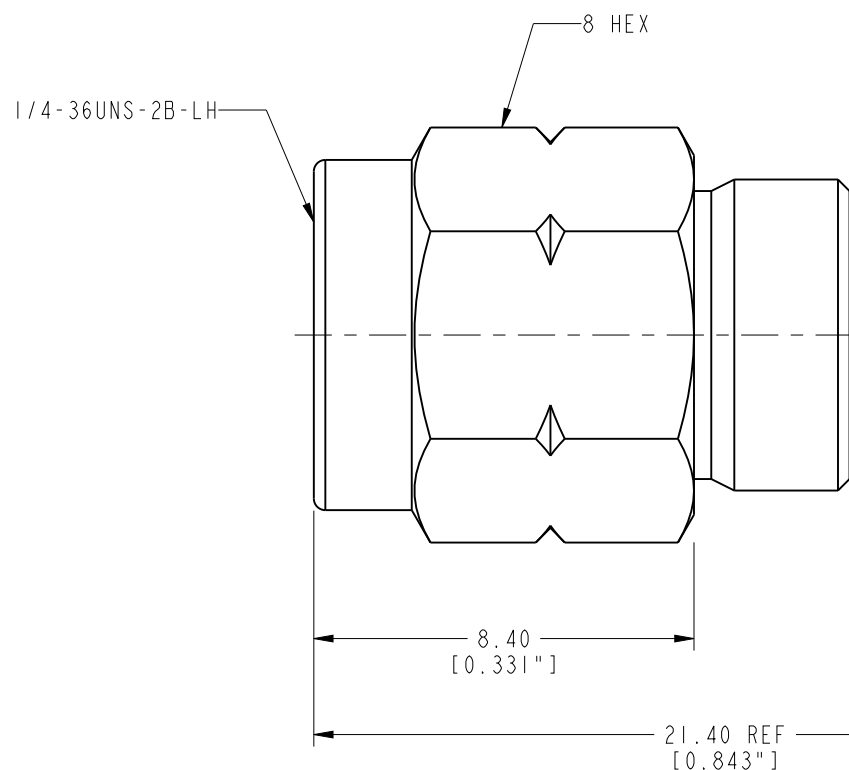
132113RPRT		REVISIONS			
DRAWING NO.	REV	DESCRIPTION	DATE	ECO	APPR
THIRD ANGLE PROJ.	A	RELEASE TO MFG.	31-Jun-06	NC	G. R. S.
	B	DIMENSIONS UPDATED	20-Jun-11	2176	HR



**RECOMMENDED
CABLE STRIPPING DIMENSIONS**



SCALE 5.000



CONTACT PIN	BERYLLIUM COPPER	GOLD
INSULATOR	PTFE	NATURAL
BODY	BRASS	GOLD
DESCRIPTION	MATERIAL	FINISH

UNLESS OTHERWISE SPECIFIED, DIMENSIONS ARE IN INCHES AND TOLERANCES ARE:
 2 PLACE DECIMAL ±.015 (0,381 mm) 3 PLACE DECIMAL ±.005 (0,127 mm) ANGLES ± 1°

NOTICE - These drawings, specifications, or other data (1) are, and remain the property of Amphenol Corp. (2) must be returned upon request; and (3) are confidential and not to be disclosed to any person other than those to whom they are given by Amphenol Corp. The furnishing of these drawings, specifications, or other data by Amphenol Corp., or to any other person to anyone for any purpose is not to be regarded by implication or otherwise in any manner licensing, granting rights or permitting such holder or any other person to manufacture, use or sell any product, process or design, patented or otherwise, that may in any way be related to or disclosed by said drawings, specifications, or other data.

MATERIAL	DRAWN	DATE	TITLE
	HARI R	20-Jun-11	SMA REVERSE POLARITY PLUG (FOR RG-58/U CABLE) LEFT THREAD
REFERENCE	ENGINEER	DATE	
TASK# 628	APPROVED	DATE	
	CAD FILE		

Amphenol Connex	
SCALE: 6.0:1	SHEET 1 OF 1
DWG SIZE B	DRAWING NO. 132113RPRT
	REV B