

THIS DRAWING IS UNPUBLISHED.

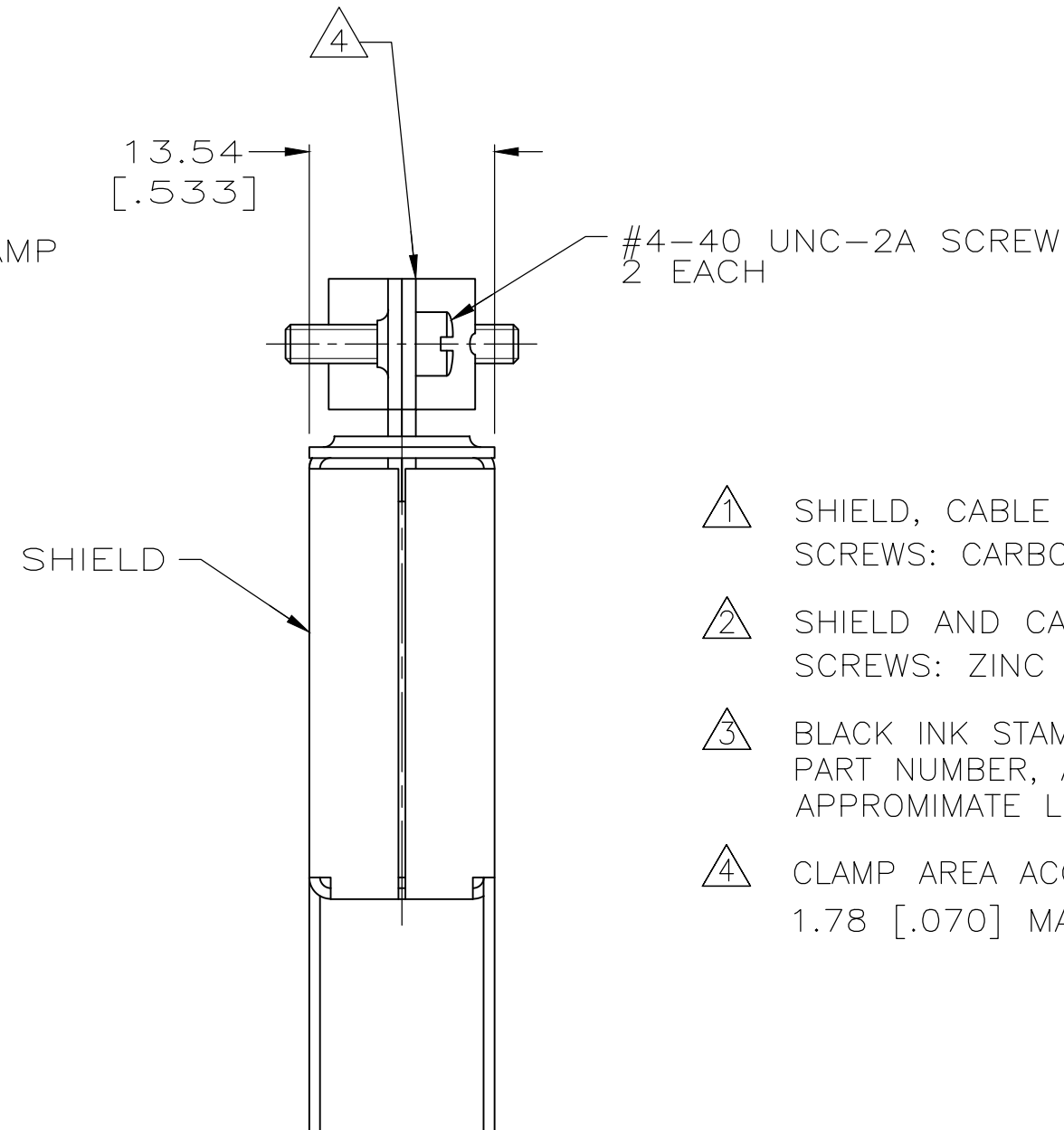
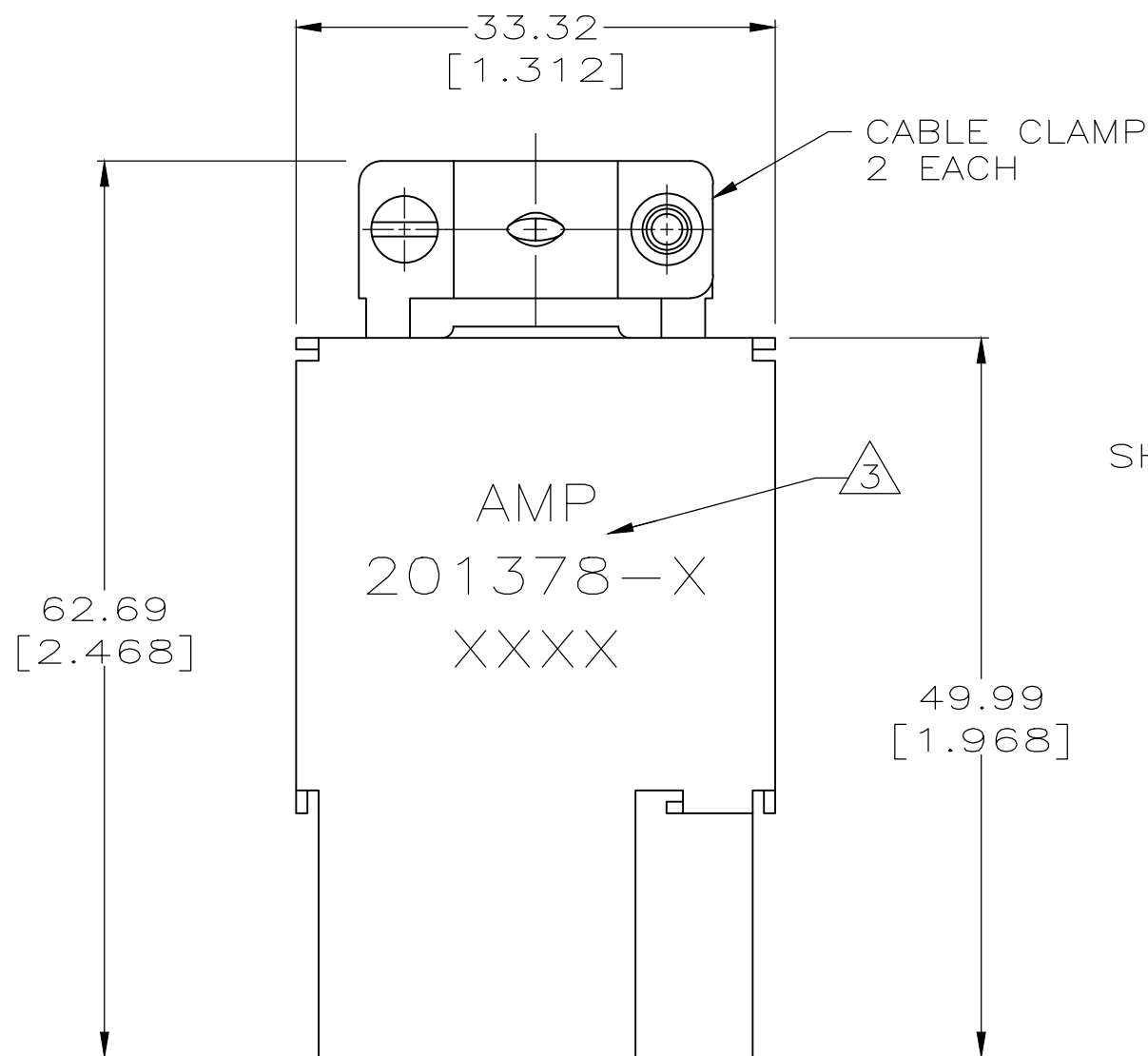
RELEASED FOR PUBLICATION

REVISIONS

© COPYRIGHT - TE Connectivity Ltd.

ALL RIGHTS RESERVED.

| P | LTR | DESCRIPTION | DATE | DWN | APVD |
|---|-----|---------------------------|-----------|-----|------|
| | L | REVISED PER ECO-18-007239 | 18MAY2018 | KH | MZ |



- ① SHIELD, CABLE CLAMP, AND SCREWS: CARBON STEEL.
- ② SHIELD AND CABLE CLAMP: NICKEL PLATED. SCREWS: ZINC PLATED.
- ③ BLACK INK STAMPED OR LASER MARKED AMP, PART NUMBER, AND DATE CODE IN APPROXIMATE LOCATION SHOWN.
- ④ CLAMP AREA ACCEPTS 14 WIRES OF 1.78 [.070] MAX OUTSIDE DIAMETER.

201378-2

PART
NUMBER

| | | | | | | | | | | | | | | | | | |
|--|---------------|-----------------------------------|--|--------------------|------------------------|-------|---------------|-------|-----|-------|-----|--------|-----|-------------------|-----------------------|--|--------------------|
| THIS DRAWING IS A CONTROLLED DOCUMENT. | | DWN K.FOLTZ 28 SEP 95 | STE TE Connectivity Ltd. | | | | | | | | | | | | | | |
| DIMENSIONS: INCHES | | CHK R.STONE 28 SEP 95 | | | | | | | | | | | | | | | |
| TOLERANCES UNLESS OTHERWISE SPECIFIED: | | APVD G.STEINHAUER 03 OCT 95 | NAME SHIELD KIT, UNASSEMBLED, LONG, 14 PLACE, M SERIES | | | | | | | | | | | | | | |
| <table border="0"> <tr><td>0 PLC</td><td>± -</td></tr> <tr><td>1 PLC</td><td>± -</td></tr> <tr><td>2 PLC</td><td>± 0.38 [.015]</td></tr> <tr><td>3 PLC</td><td>± -</td></tr> <tr><td>4 PLC</td><td>± -</td></tr> <tr><td>ANGLES</td><td>± -</td></tr> </table> | | 0 PLC | ± - | 1 PLC | ± - | 2 PLC | ± 0.38 [.015] | 3 PLC | ± - | 4 PLC | ± - | ANGLES | ± - | PRODUCT SPEC - | APPLICATION SPEC - | | RESTRICTED TO - |
| 0 PLC | ± - | | | | | | | | | | | | | | | | |
| 1 PLC | ± - | | | | | | | | | | | | | | | | |
| 2 PLC | ± 0.38 [.015] | | | | | | | | | | | | | | | | |
| 3 PLC | ± - | | | | | | | | | | | | | | | | |
| 4 PLC | ± - | | | | | | | | | | | | | | | | |
| ANGLES | ± - | | | | | | | | | | | | | | | | |
| MATERIAL ① | | WEIGHT 0 | SIZE A3 | CAGE CODE 00779 | DRAWING NO C-201378 | | | | | | | | | | | | |
| FINISH ② | | CUSTOMER DRAWING | | SCALE 2:1 | SHEET 1 OF 1 | | | | | | | | | | | | |
| | | | | REV L | | | | | | | | | | | | | |