

THIS DRAWING IS UNPUBLISHED.

RELEASED FOR PUBLICATION

20

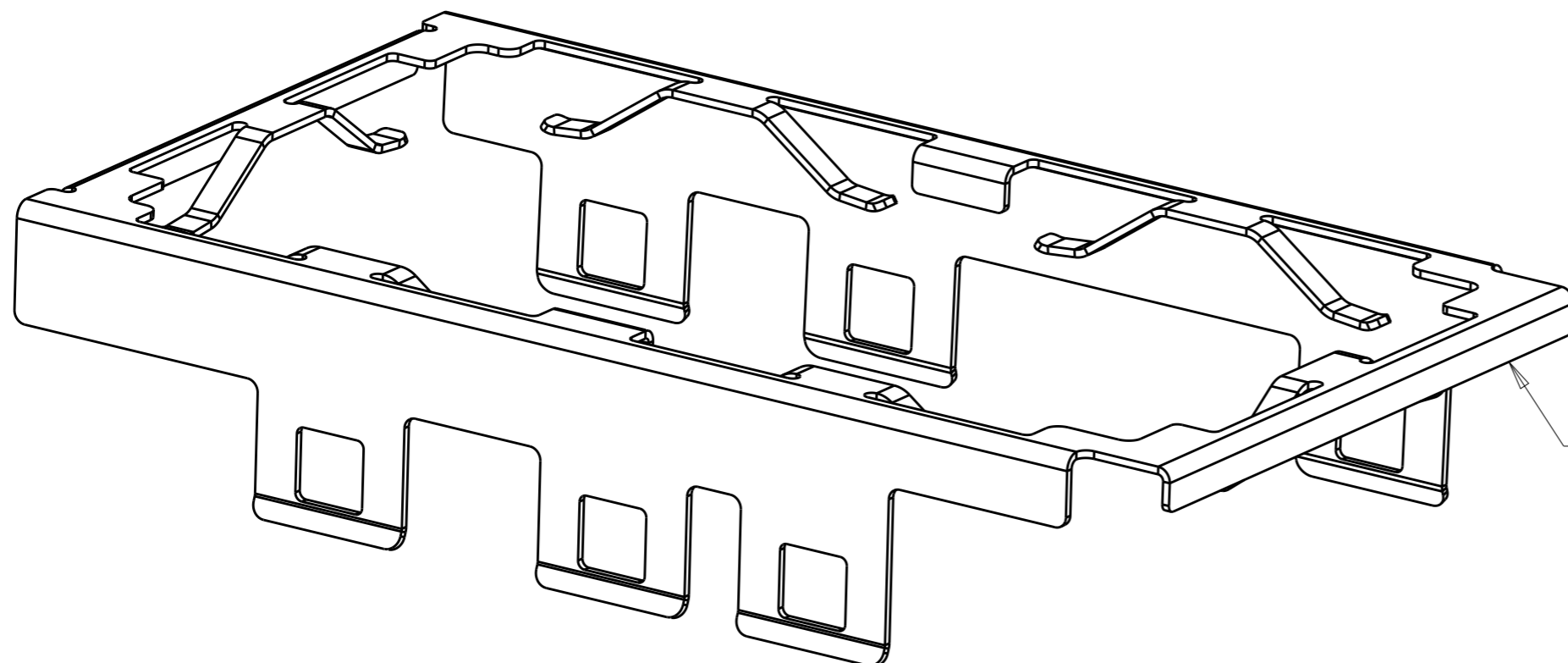
© COPYRIGHT 20 BY -

ALL RIGHTS RESERVED.

LOC GP DIST 00

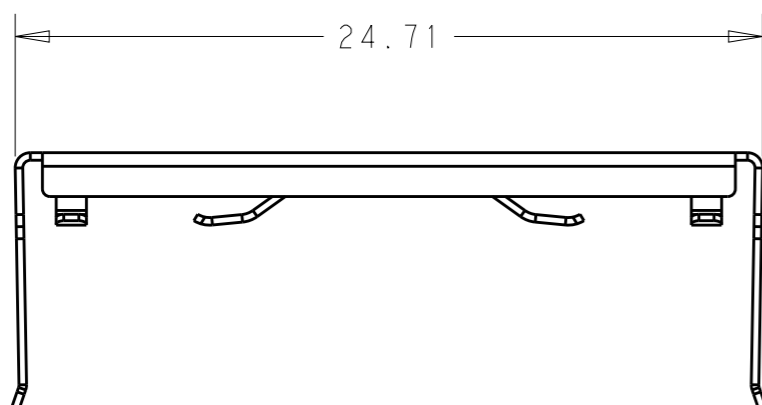
REVISIONS

P	LTR	DESCRIPTION	DATE	DWN	APVD
	A	RELEASED PER ECO-13-017577	03DEC2013	CJV	SLB

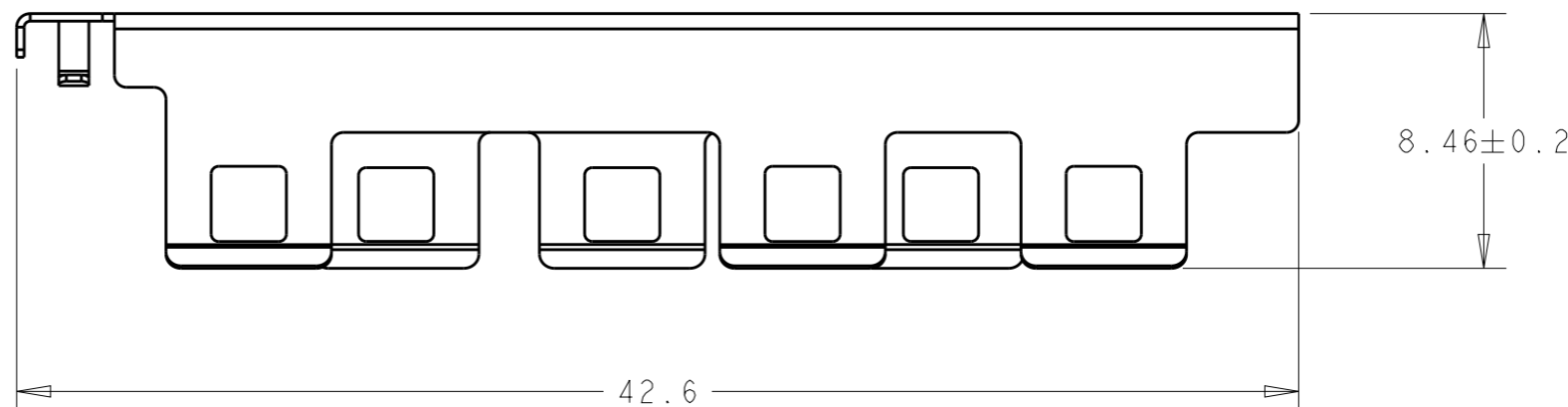


HEAT SINK CLIP  
STAINLESS STEEL

2149086-2  
SCALE 5:1



24.71



42.6

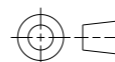
8.46 ± 0.2

2149086-3

PART  
NUMBER

THIS DRAWING IS A CONTROLLED DOCUMENT.

DIMENSIONS:  
mm



TOLERANCES UNLESS OTHERWISE SPECIFIED:

- 0 PLC ±0.1
- 1 PLC ±0.1
- 2 PLC ±0.1
- 3 PLC ±0.1
- 4 PLC ±0.1
- ANGLES ±

MATERIAL -

FINISH -

DWN 03AUG2010

M.E. COWHER

CHK 03AUG2010

M.D. MORRISON

APVD 03AUG2010

M.D. MORRISON

PRODUCT SPEC -

APPLICATION SPEC -

WEIGHT -

CUSTOMER DRAWING



TE Connectivity

NAME

CLIP, HEAT SINK,  
84 POSITION, CXP

SIZE CAGE CODE DRAWING NO RESTRICTED TO

A3 00779 C-2149086

SCALE 4:1 SHEET 1 OF 1 REV A