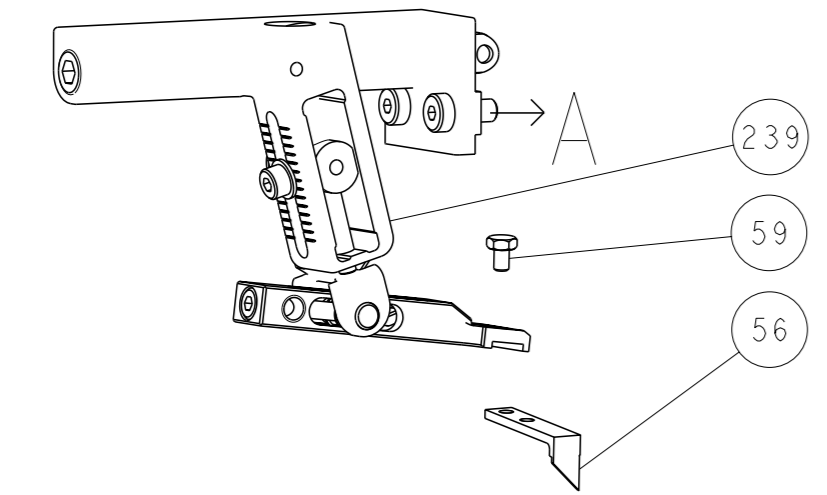
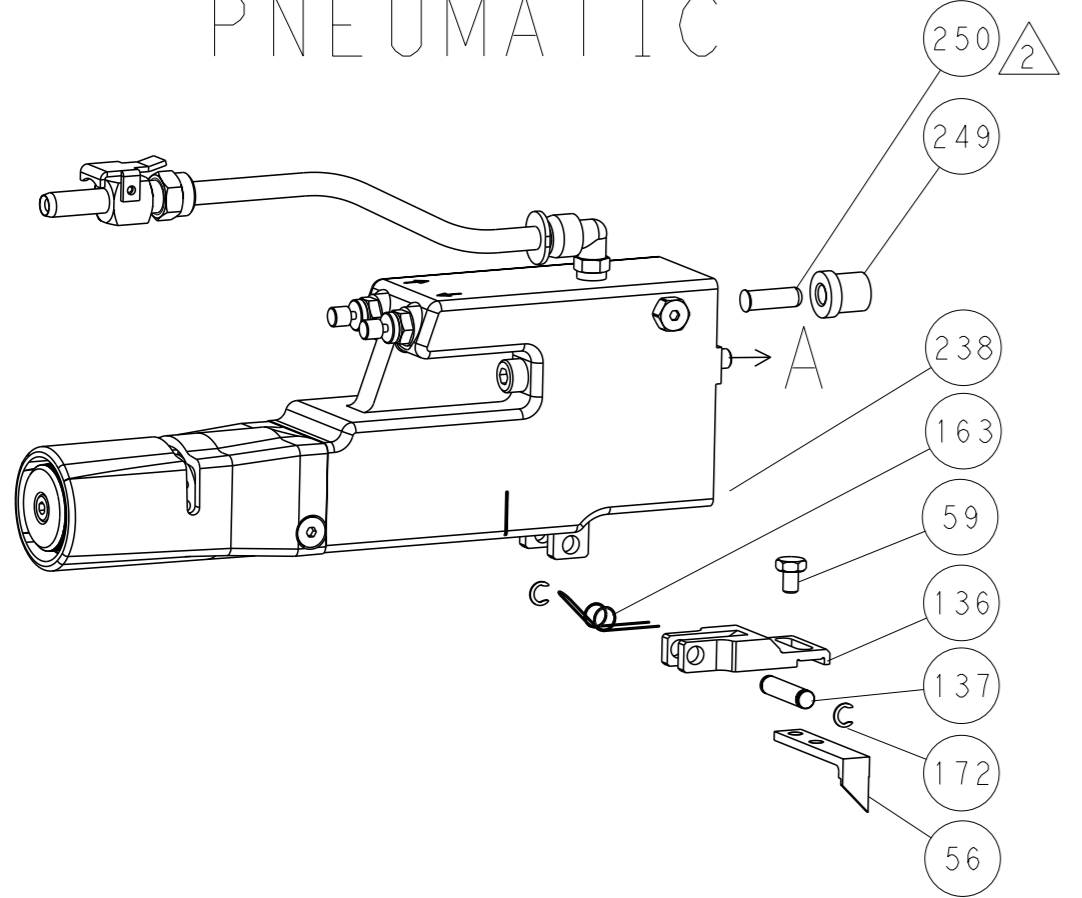


| REVISONS | | DATE | OWN | APVD |
|---------------|-----|------|-----|------|
| P | LYH | | | |
| - SEE SHEET 1 | | | | |

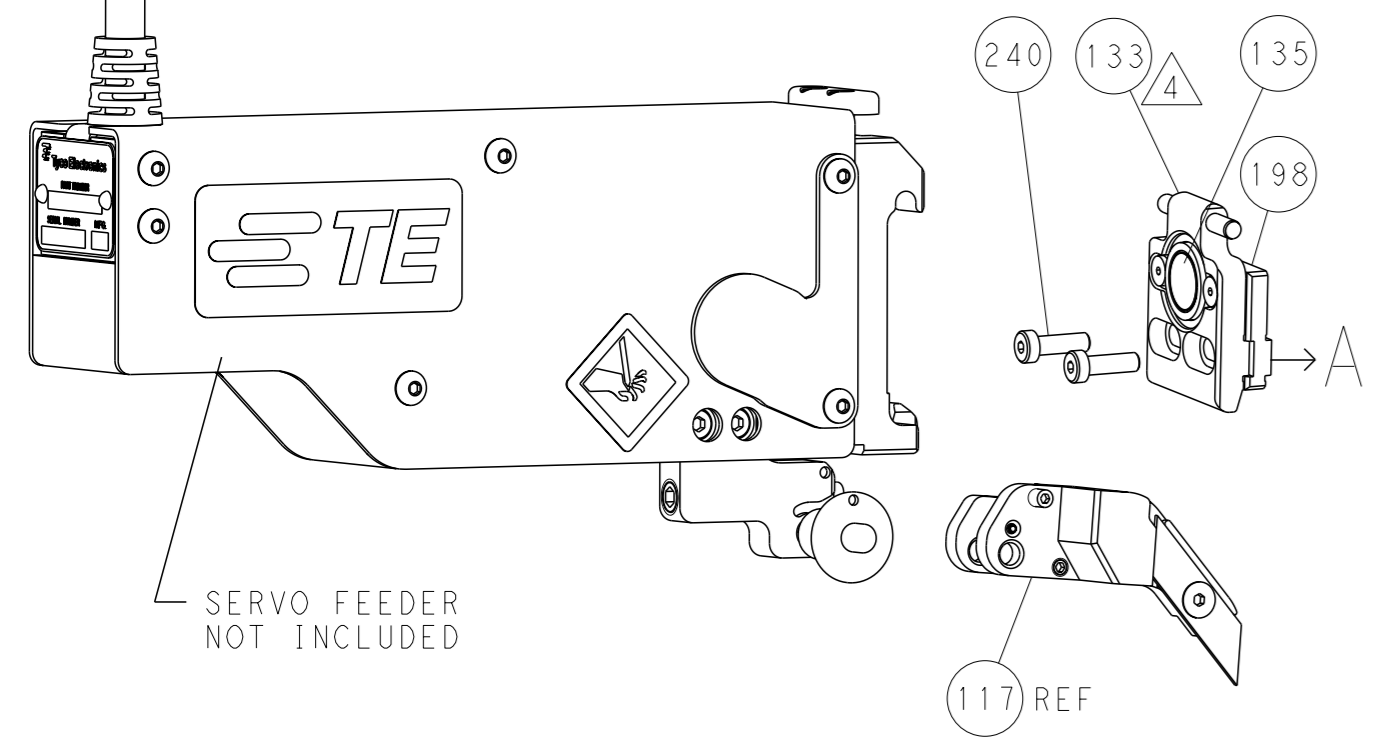
FEED TYPE MECHANICAL



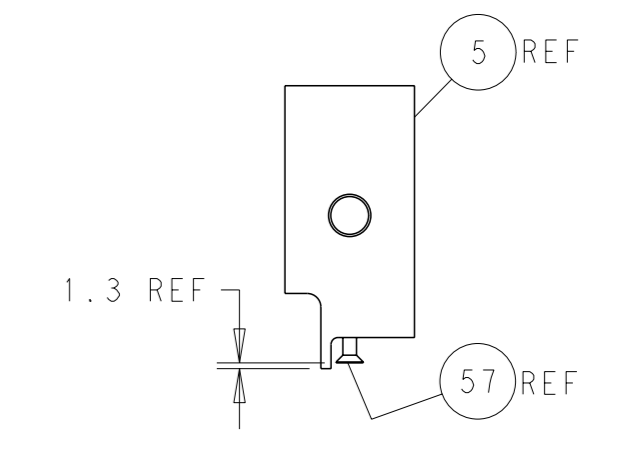
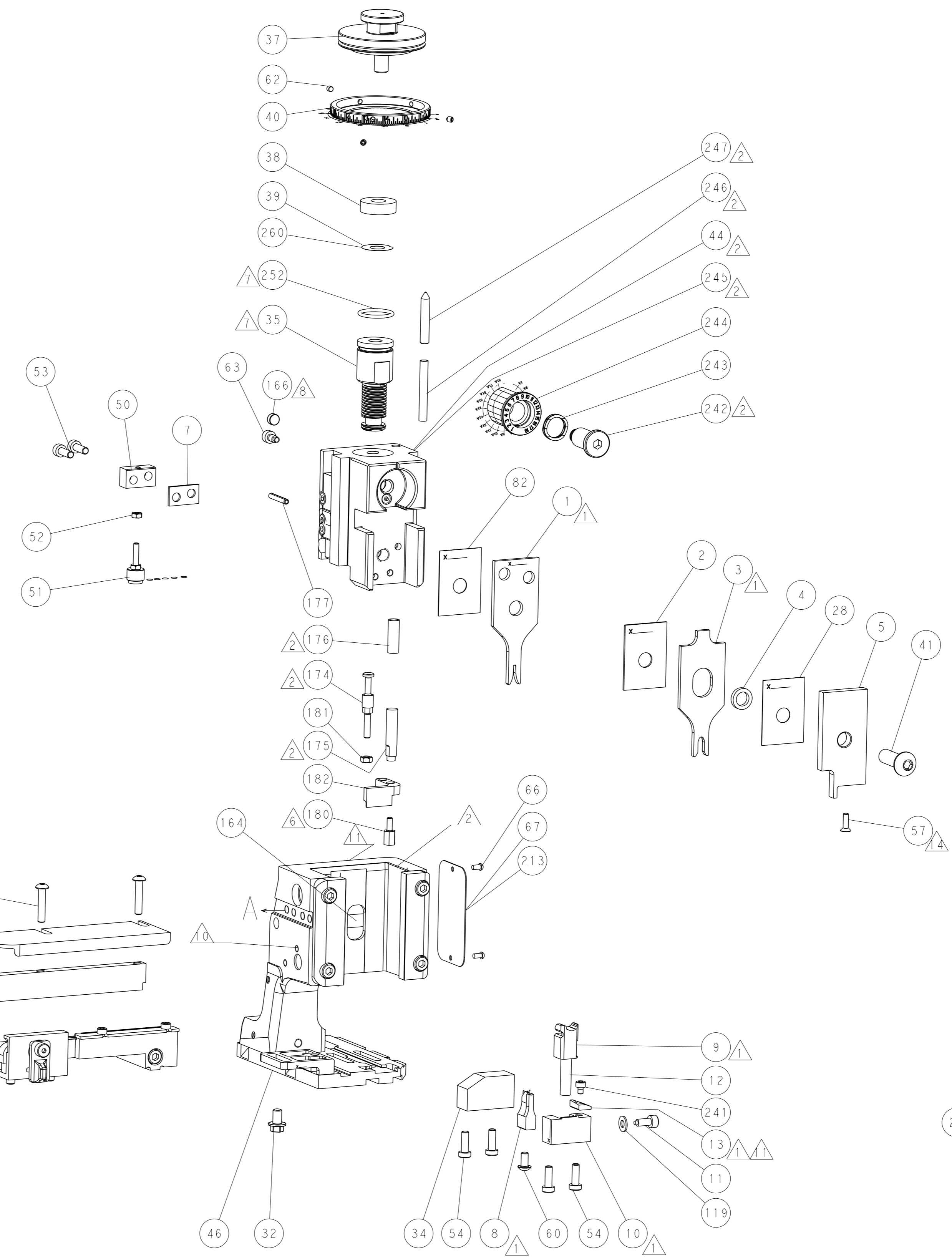
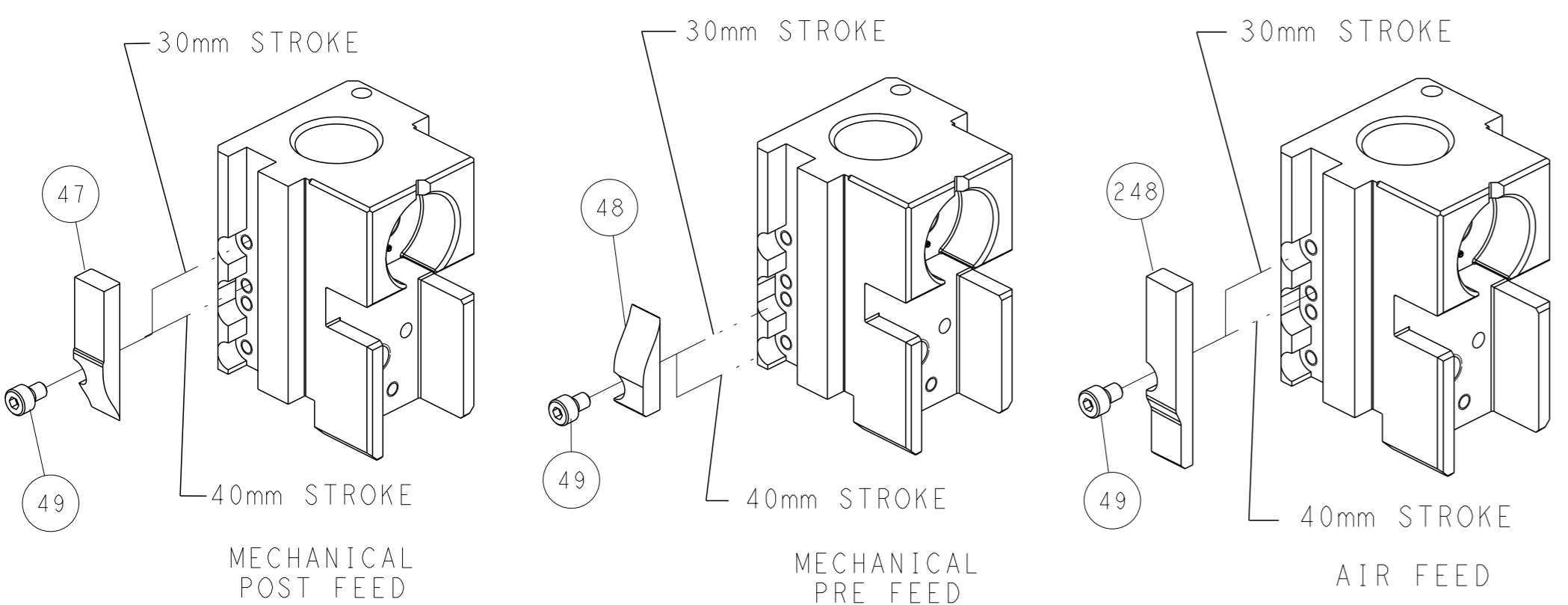
PNEUMATIC



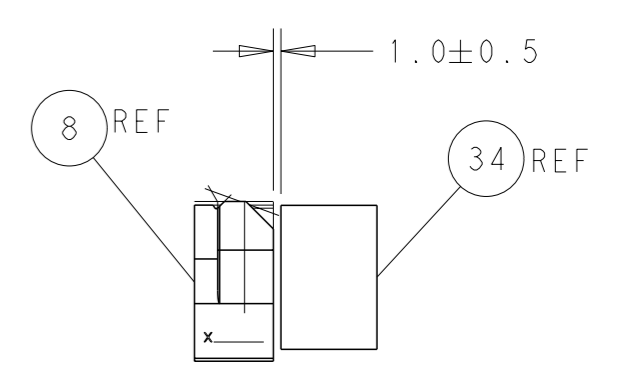
SERVO LATCH PLATE



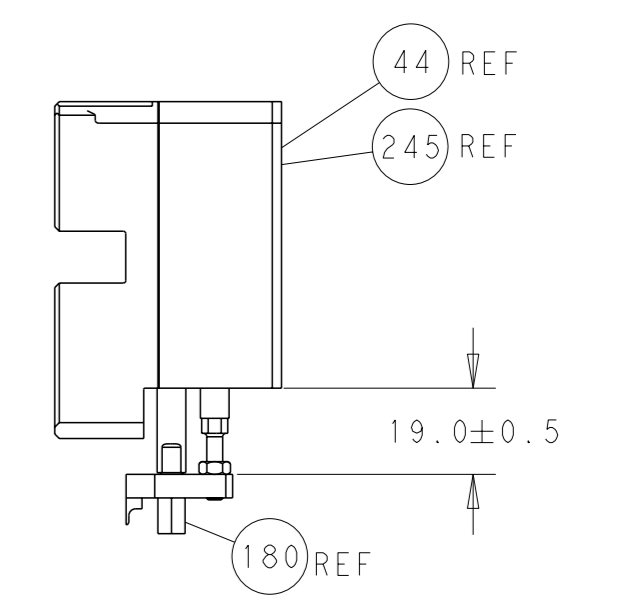
CAM POSITIONS



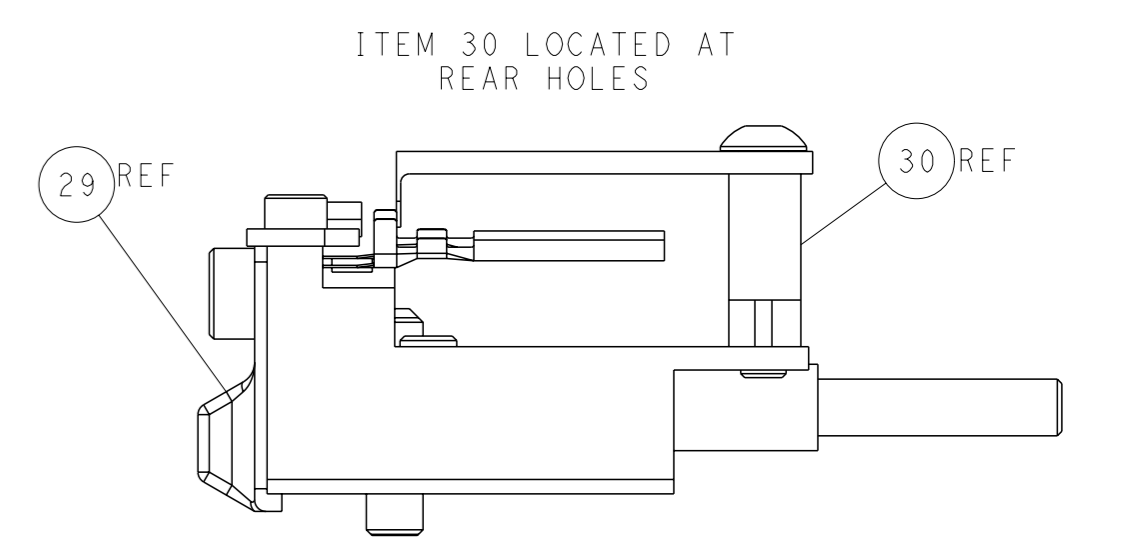
SHEAR DEPRESSOR DETAIL



TERMINAL SUPPORT LOCATION



HOLDDOWN SET-UP



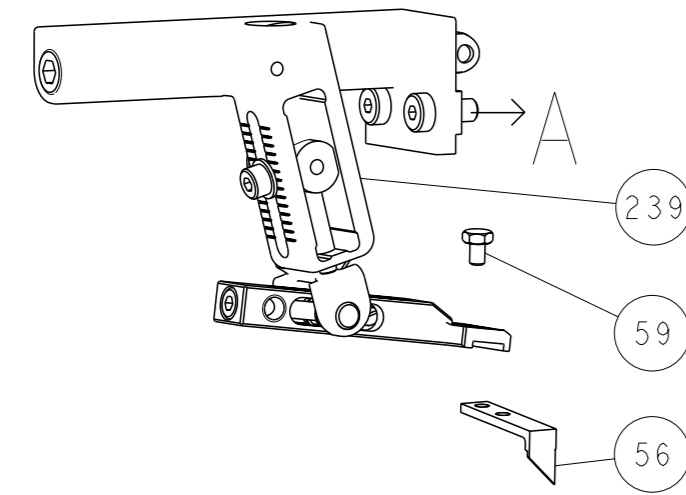
FEED TRACK POSITION GUIDE BY INSULATION BARREL

ATLANTIC VERSION
 Shown on sheets 1 of 4 & 2 of 4
 (Pacific version shown on sheets 3 of 4 & 4 of 4)

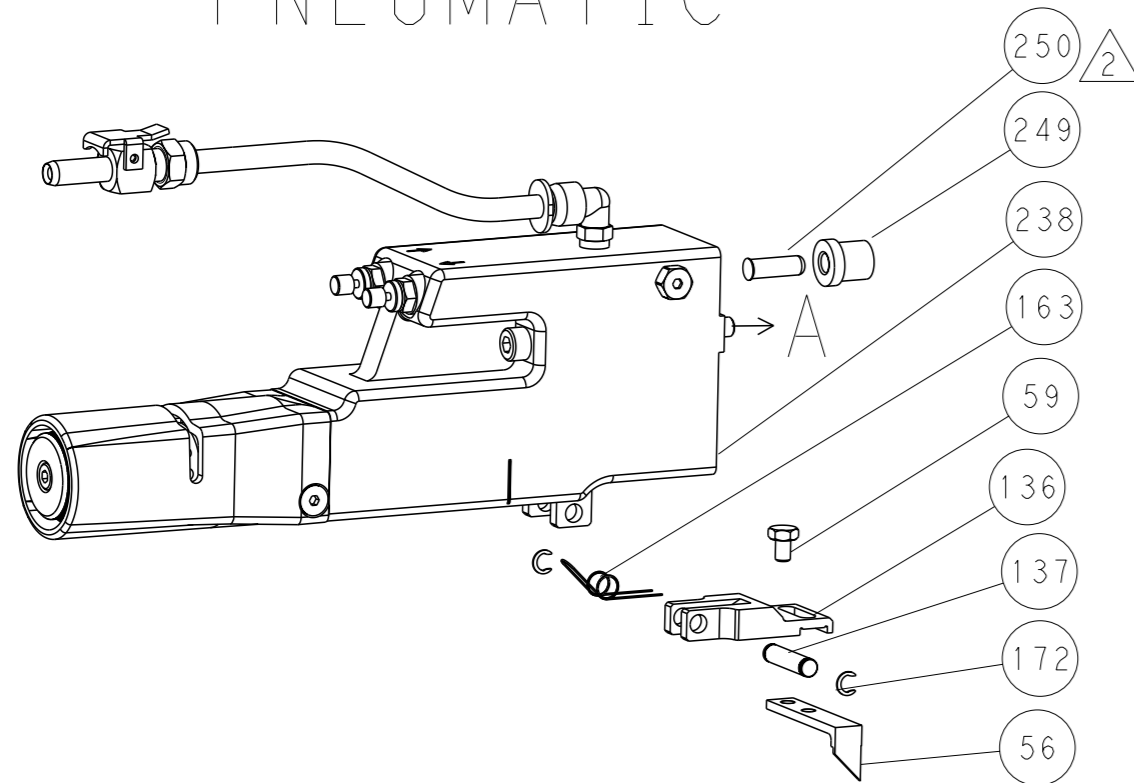
| | | | |
|--|--|---|--|
| <small>THIS DRAWING IS UNPUBLISHED. RELEASED FOR PUBLICATION. 20 BY TYCO ELECTRONICS CORPORATION. ALL RIGHTS RESERVED.</small> | | OWN: X. ZHAO 13FEB2014 CHK: L. ZHANG 13FEB2014 APVD: J. ELBIN 13FEB2014 | TE Connectivity Harrisburg, PA 17105-3608 |
| DIMENSIONS: mm TOLERANCES UNLESS OTHERWISE SPECIFIED: 0 PLC ± 1 PLC ± 2 PLC ± 3 PLC ± 4 PLC ± ANGLES FINISH ± | | NAME: Ocean Side Feed Applicator SIZE: A1 CAGE CODE: 00779 DRAWING NO: C=2266208 | RESTRICTED TO: - SCALE: 1:2 SHEET: 2 of 4 REV: B1 |
| MATERIAL: - FINISH: - | | WEIGHT: - Customer Accessible Production Drawing | SHEETS 3 & 4 ARE NOT REQUIRED FOR ATLANTIC VERSION |

| LOC | DIST | REVISIONS | | | |
|-----|------|-----------|-------------|-----|------|
| A | 66 | REV | DATE | OWN | APVD |
| | | - | SEE SHEET 1 | - | - |

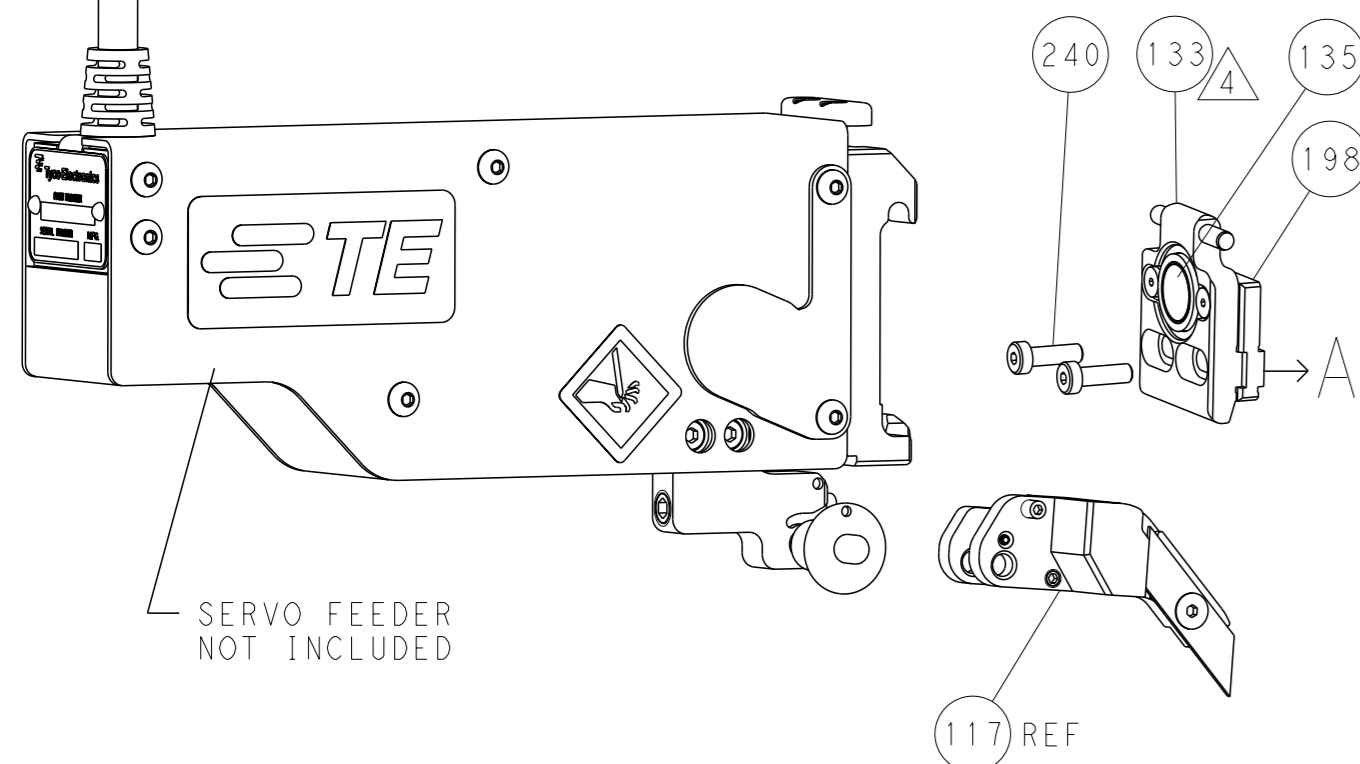
FEED TYPE MECHANICAL



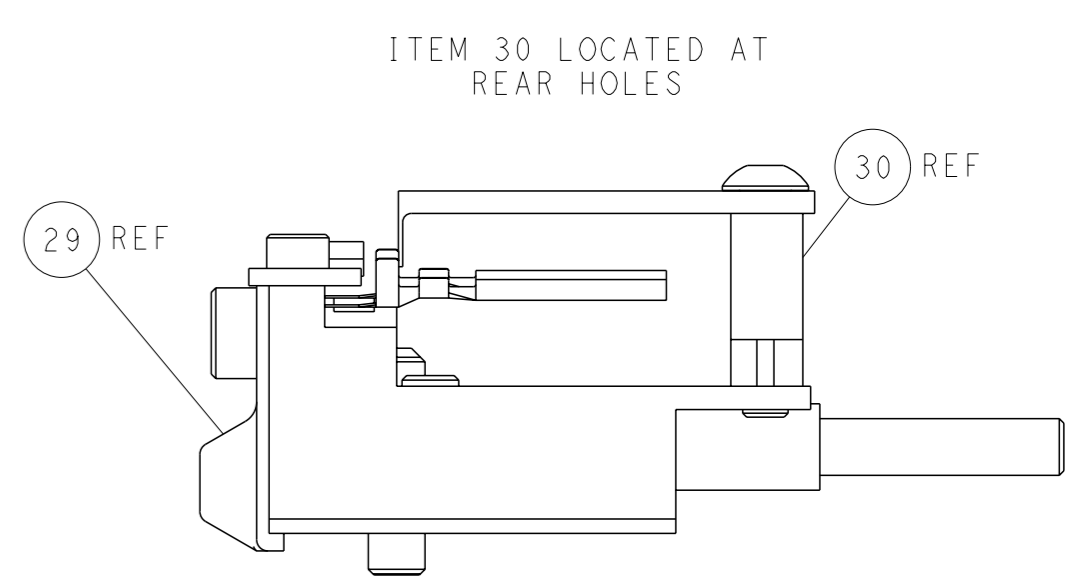
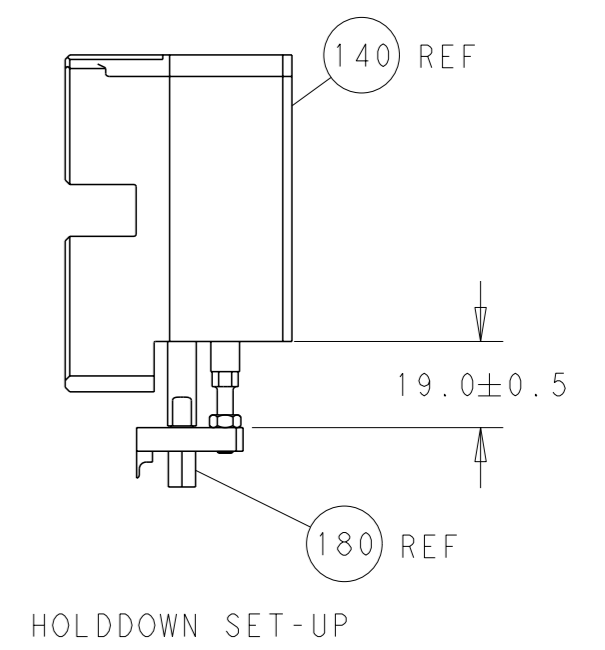
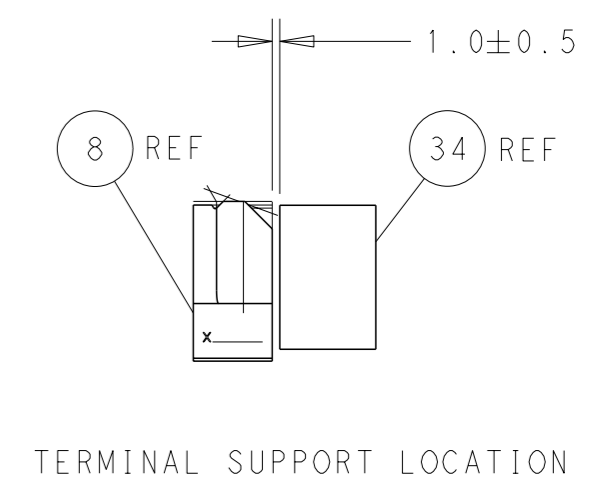
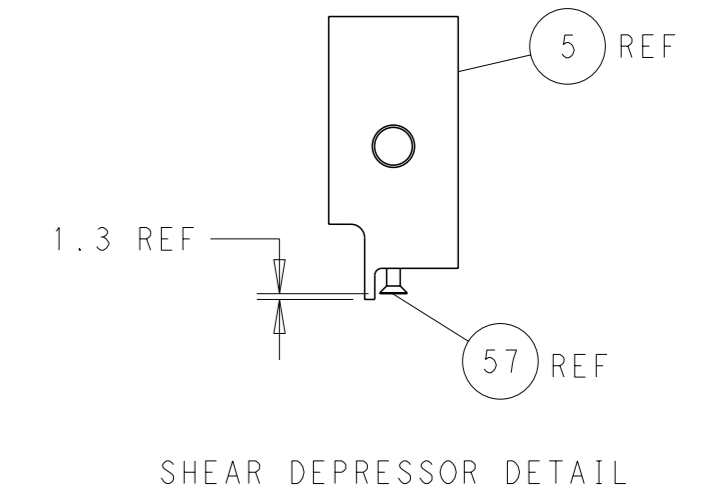
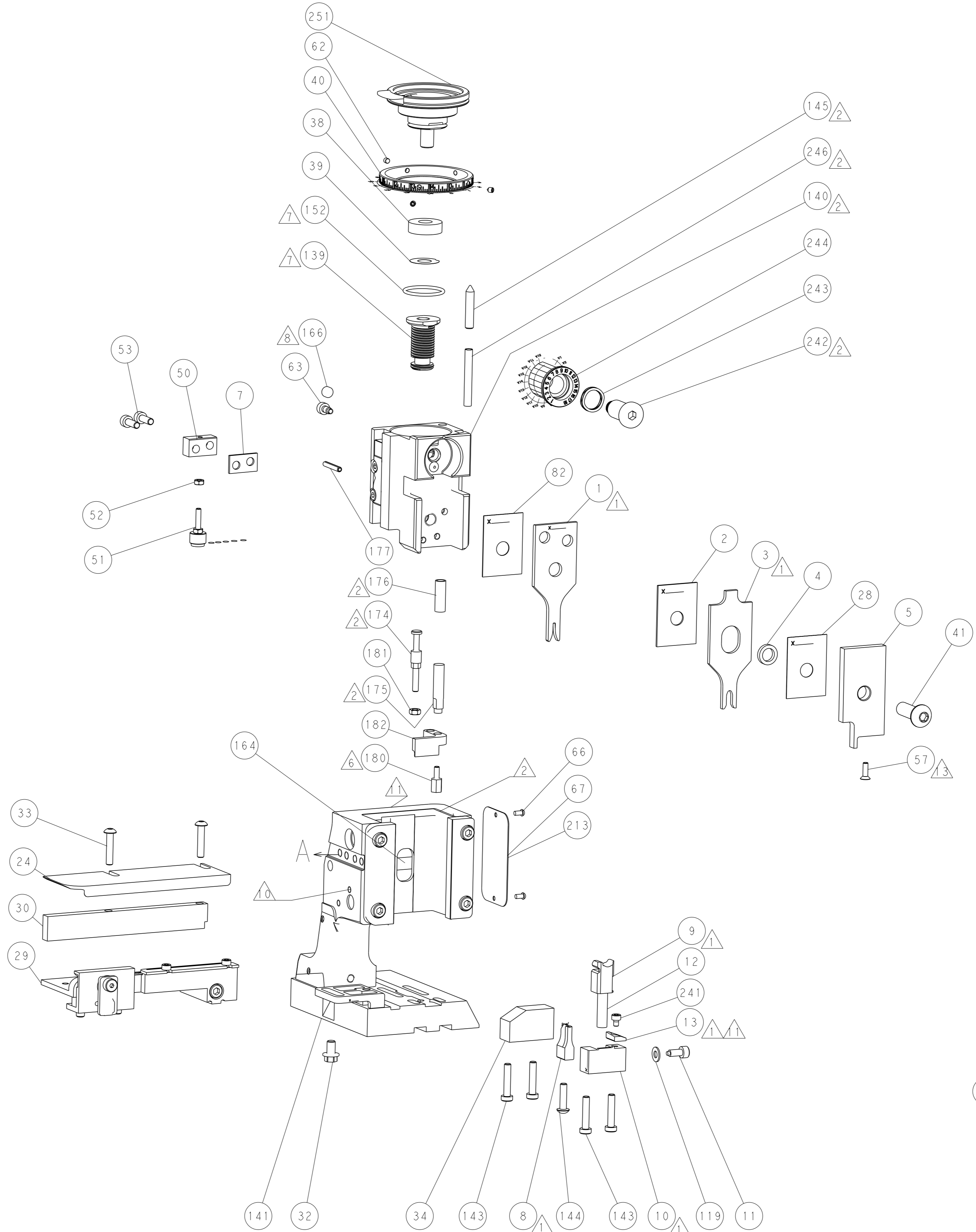
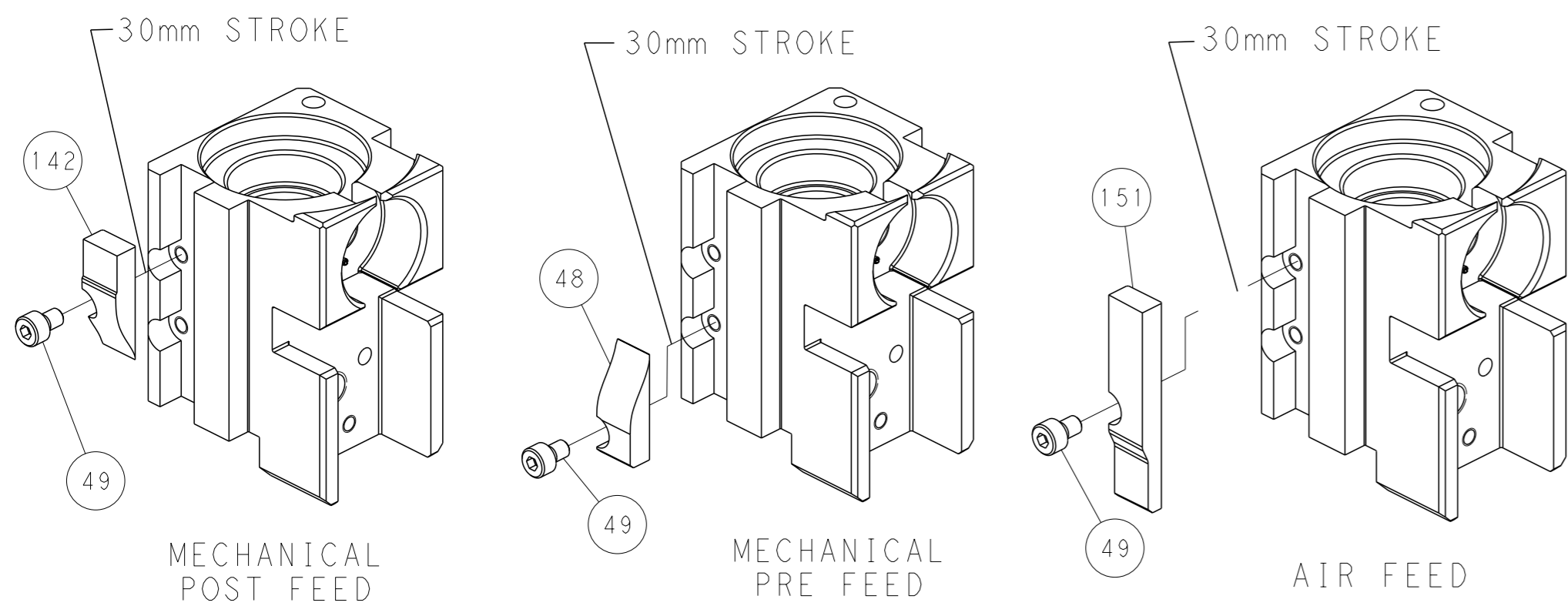
PNEUMATIC



SERVO LATCH PLATE



CAM POSITIONS



PACIFIC VERSION
 Shown on sheets 3 of 4 & 4 of 4
 (Atlantic version shown on sheets 1 of 4 & 2 of 4)

| | | | | | | | |
|-----------------------|--|---|--|---|--|---|--|
| DIMENSIONS: mm | | TOLERANCES UNLESS OTHERWISE SPECIFIED: 0 PLC ± 1 PLC ± 2 PLC ± 3 PLC ± 4 PLC ± ANGLES ° ± | | OWN: X. ZHAO 13FEB2014 CHK: L. ZHANG 13FEB2014 APVD: T. ELBIN 13FEB2014 PRODUCT SPEC APPLICATION SPEC WEIGHT SCALE: 1:2 | | NAME: Ocean Side Feed Applicator SIZE: A1 CAGE CODE: 00779 DRAWING NO: 2266208 SHEET 4 OF 4 REV B1 | |
| MATERIAL: | | | | RESTRICTED TO: | | CUSTOMER ACCESSIBLE PRODUCTION DRAWING | |