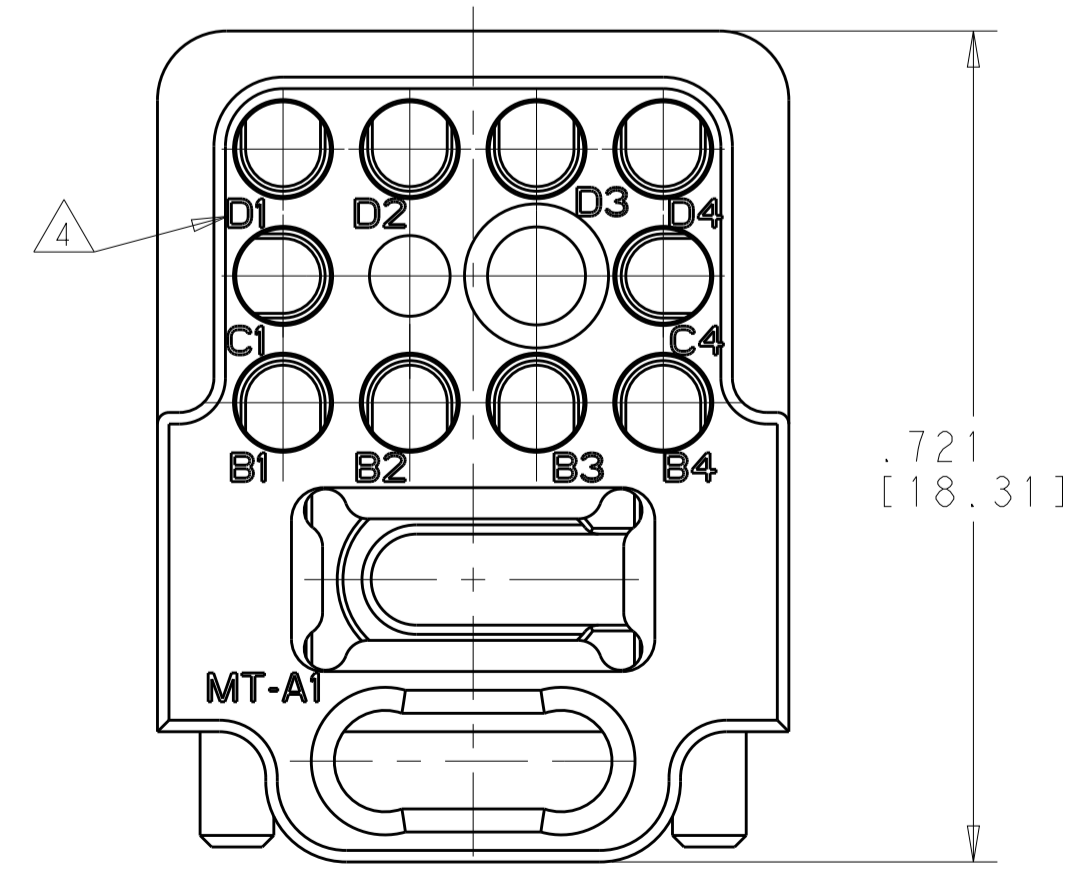
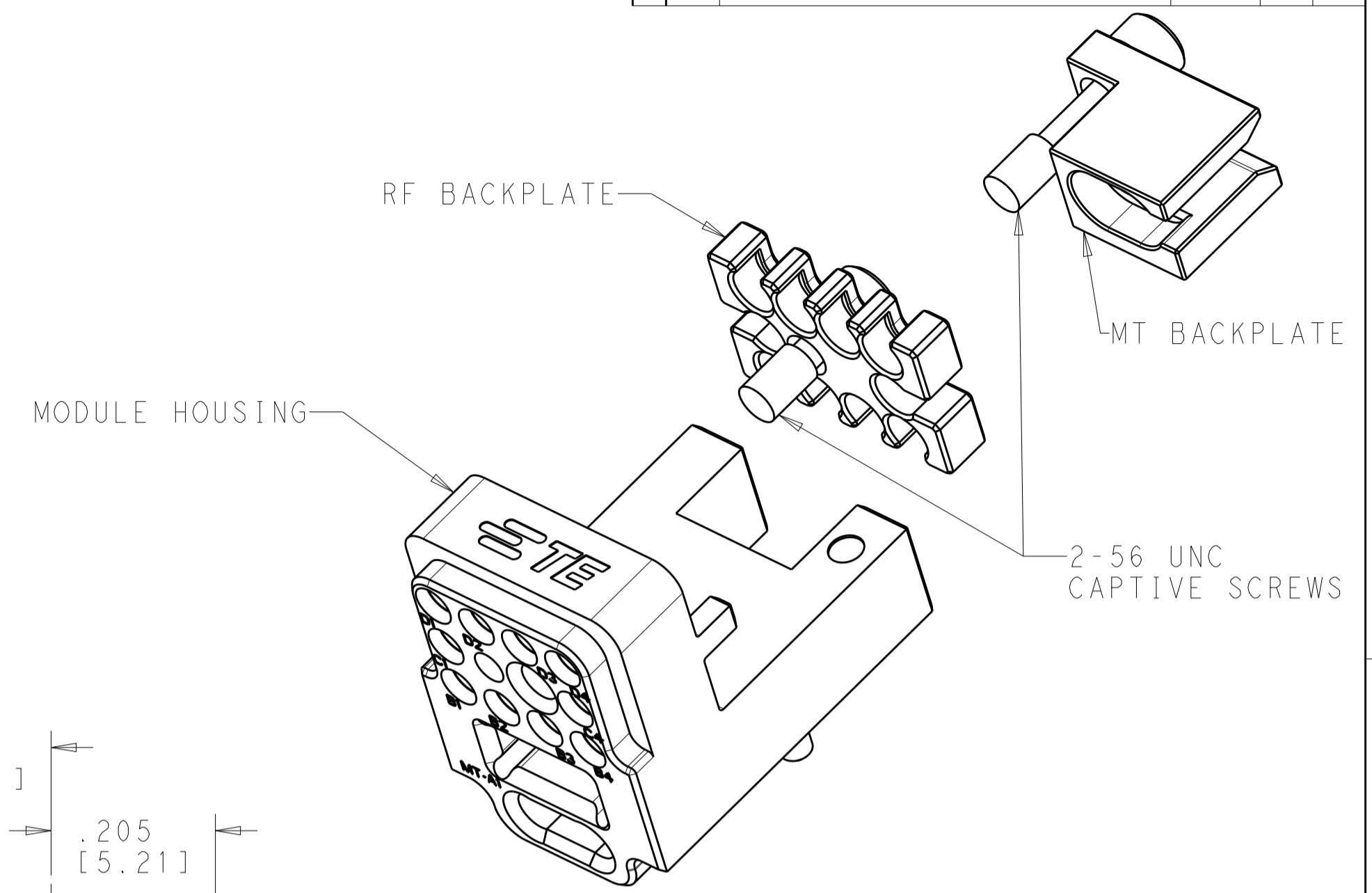
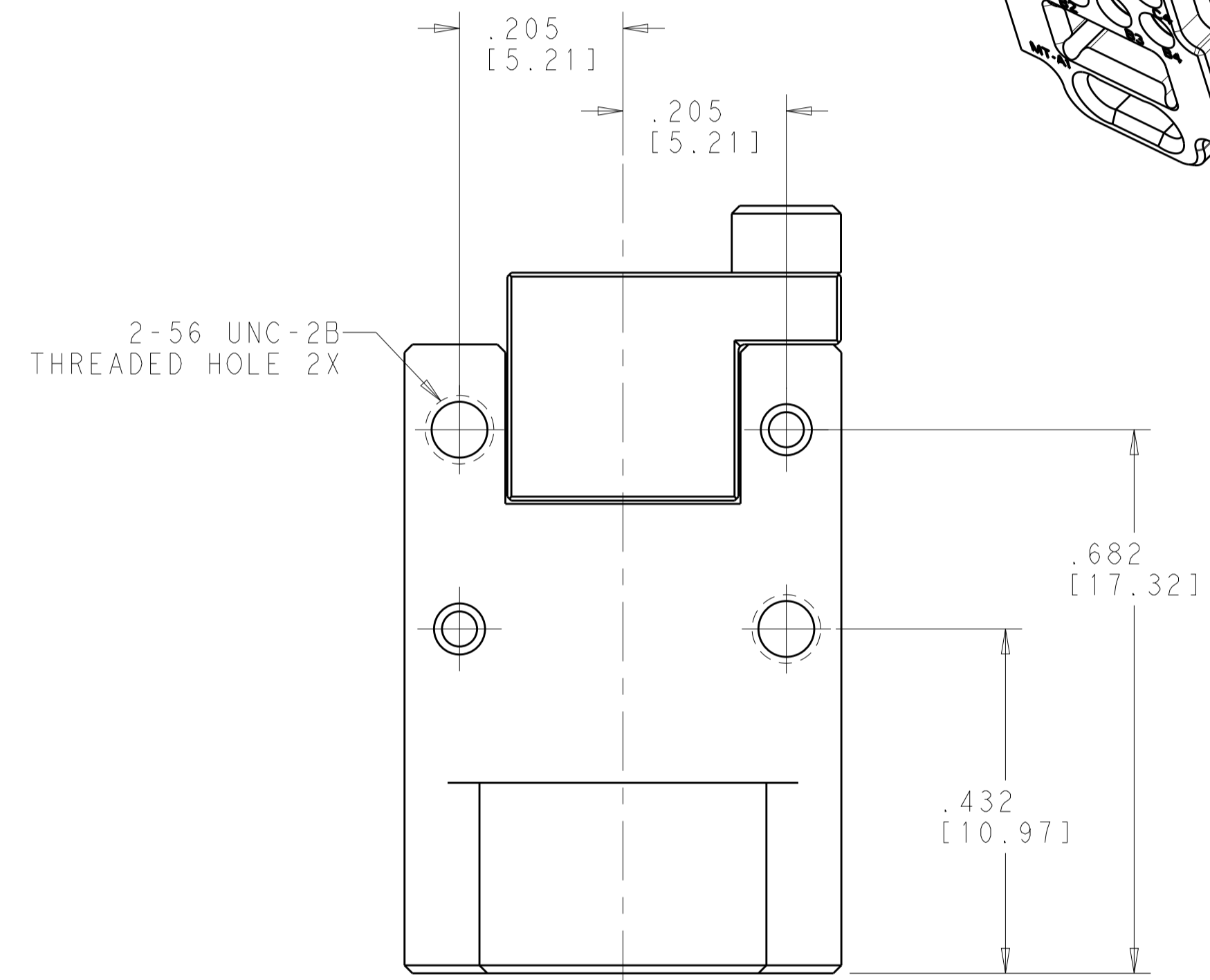
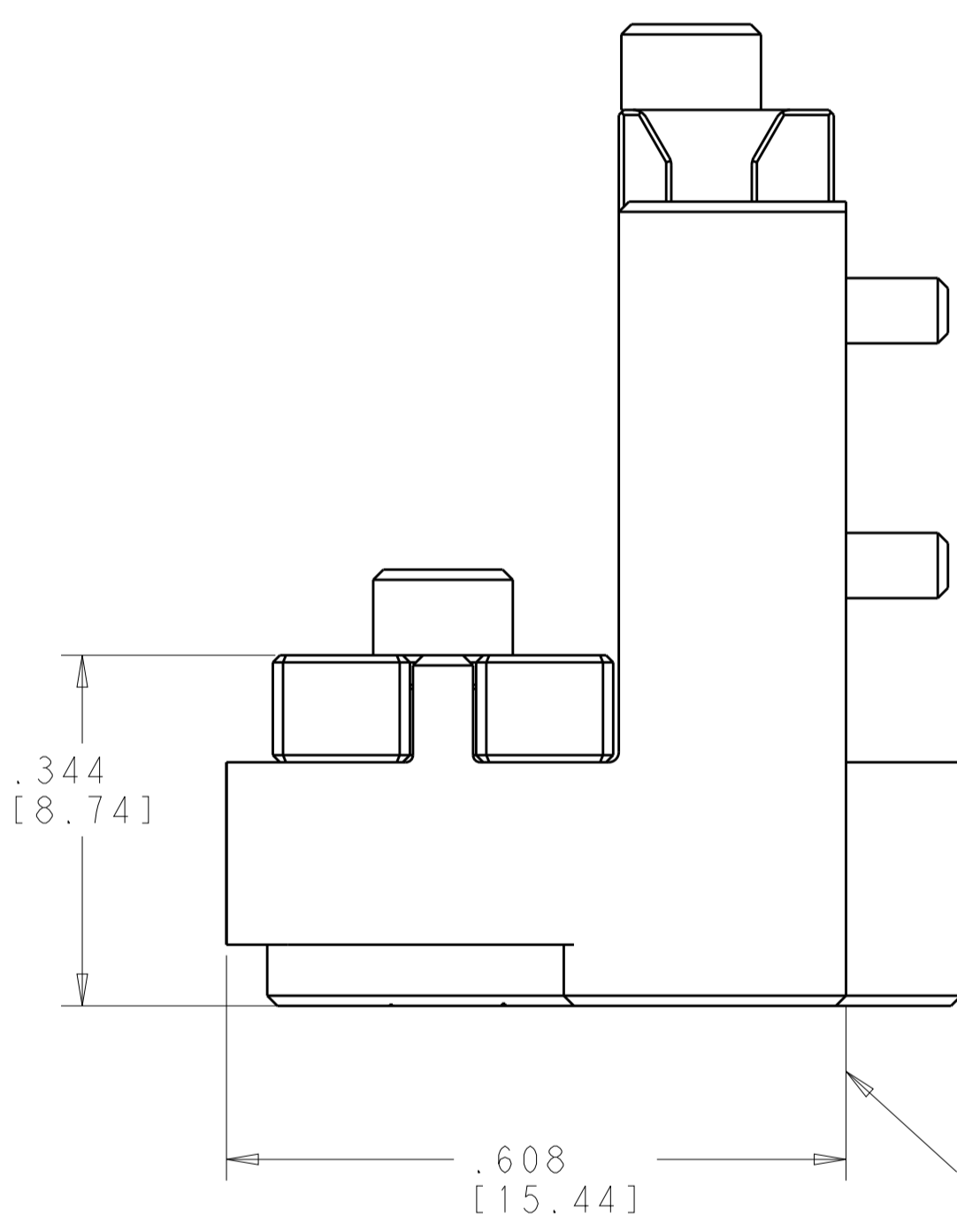
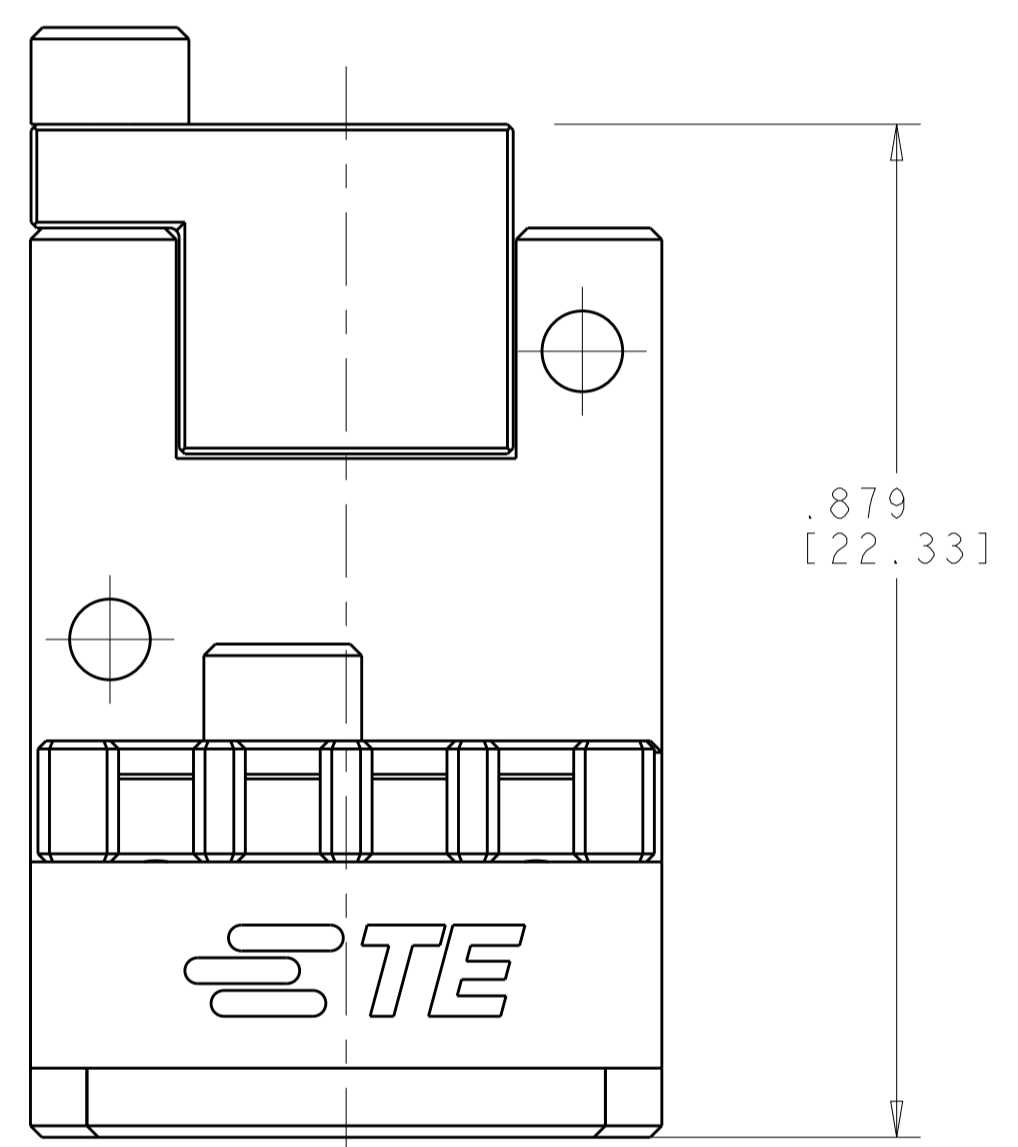
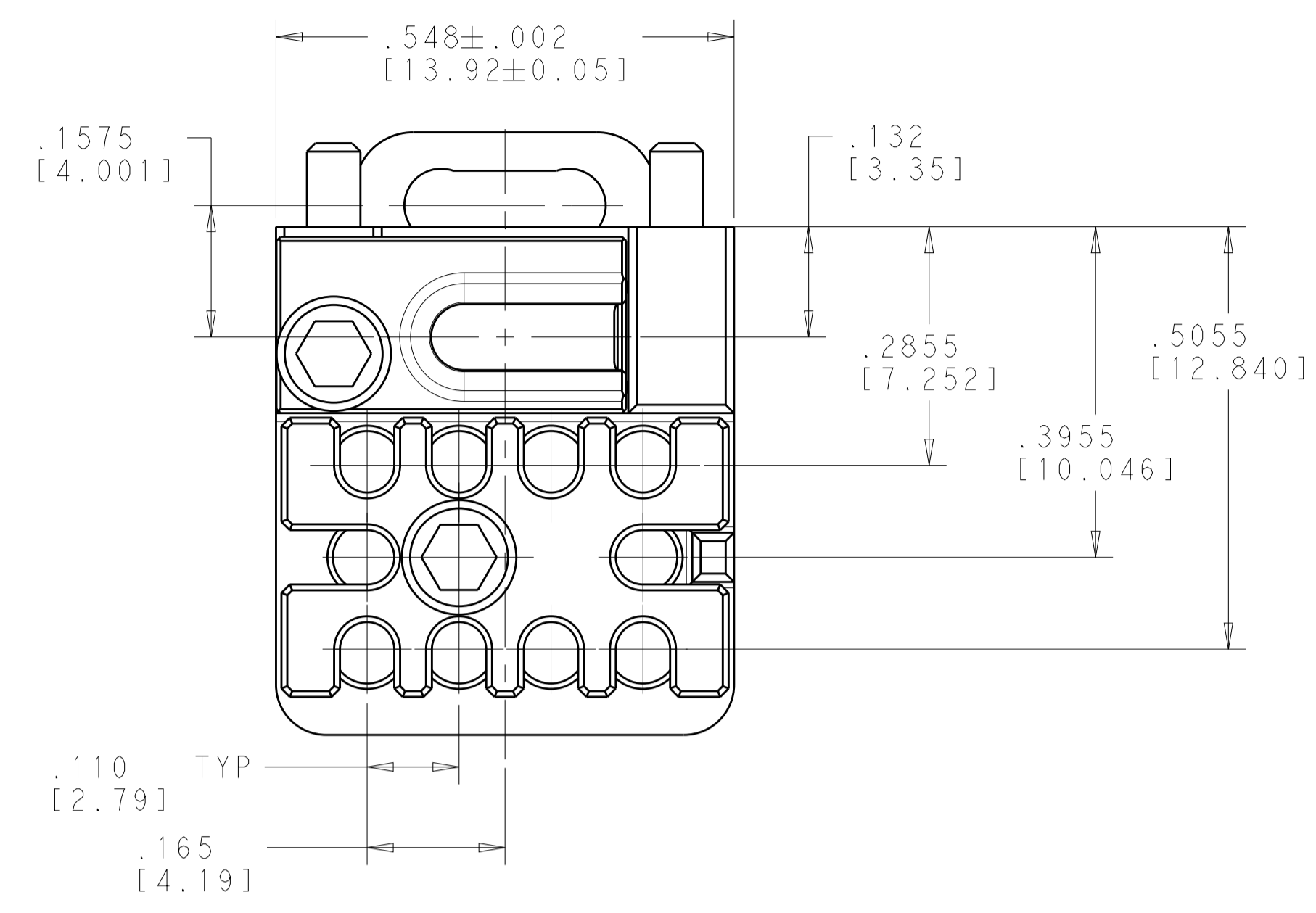


LOC	DIST	REV	DATE	BY	APPV
-	-	A	15DEC2020	KM	CG

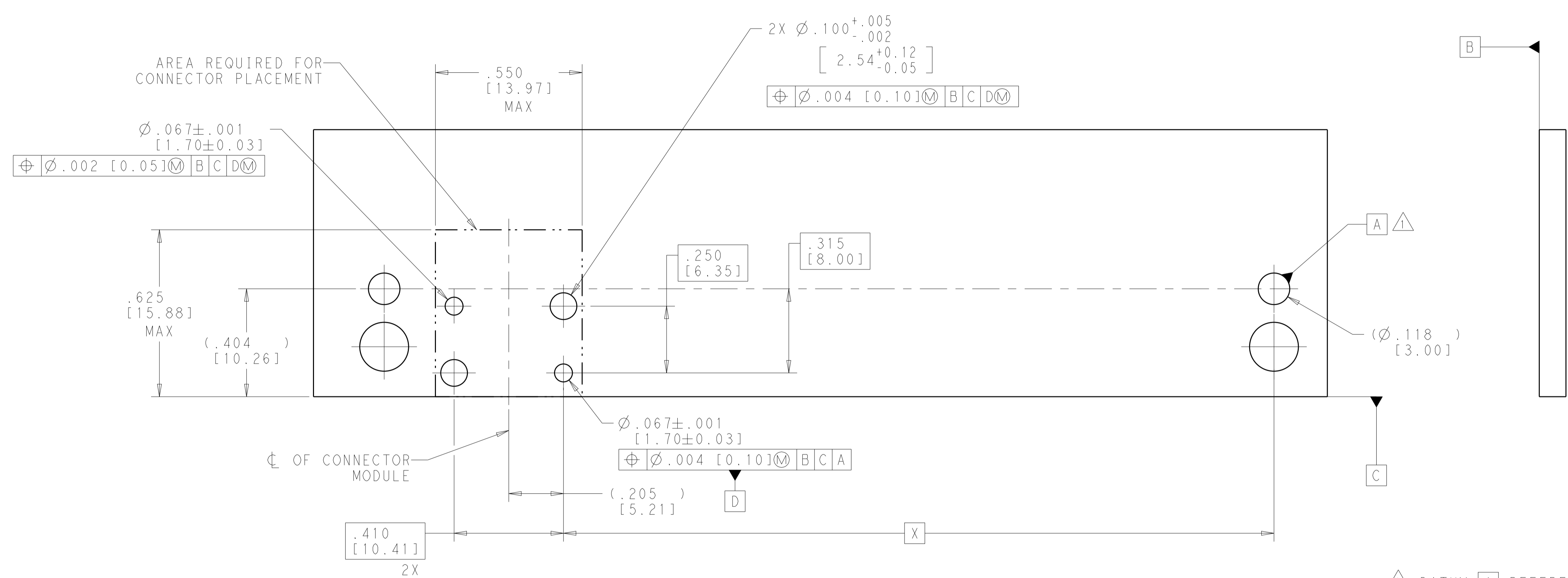


- 1 MATERIAL:
MODULE HOUSING AND BACKPLATES - ALUMINUM ALLOY
SCREW - 300 SERIES STAINLESS STEEL
- 2 FINISH:
MODULE HOUSING AND BACKPLATES - CLEAR CHROMATE CONVERSION COATING
SCREW - PASSIVATED
- 3. SHIPPED IN KIT FORM. BACKPLATE SCREWS TO BE ASSEMBLED TO BACKPLATES.
- 4 CIRCUIT IDENTIFICATION MARKING
- 5. DESIGNED TO BE USED WITH NanoRF CONTACTS 2302339-1 AND MT FERRULE KIT 2355002-1 (12 FIBER) OR 2355002-2 (24 FIBER).
- 6 PRODUCT SPEC:
NanoRF: 108-163006
MT FIBER OPTIC: 108-163029
- 7 APPLICATION SPEC:
NanoRF: 408-163016
MT FIBER OPTIC: 114-163023

2359410-1
PART NUMBER

THIS DRAWING IS A CONTROLLED DOCUMENT.		DWN: R. MILLER 08JUL2019	TE Connectivity
DIMENSIONS: INCHES/mm		CHK: C. GINGRICH 21AUG2019	
TOLERANCES UNLESS OTHERWISE SPECIFIED:		APVD: -	NAME: NanoRF MODULE, DAUGHTERCARD, F/O, CABLED VERSION PLUS 10 POSITION .047 CABLE, VITA
0 PLC ±	1 PLC ±	PRODUCT SPEC 6	SIZE: A1
2 PLC ±	3 PLC ±.005(0.13)	APPLICATION SPEC 7	CAGE CODE: 2359410
4 PLC ±	ANGLES ±	WEIGHT: -	SCALE: 6:1
MATERIAL 1	FINISH 2	CUSTOMER DRAWING	SHEET 1 OF 2 REV A

LOC		DIST		REVISIONS			
P	LTN	DESCRIPTION	DATE	DMN	APVD		
-	-	SEE SHEET 1	-	-	-		



△ DATUM [A] REFERENCE PER ANSI/VITA 46.0-2019, APPENDIX B.

RECOMMENDED PCB LAYOUT

THIS DRAWING IS A CONTROLLED DOCUMENT.		DMN K. MILLER CHK C. GINGRICH	08JUL2019 21AUG2019	TE Connectivity	
DIMENSIONS: INCHES/mm		TOLERANCES UNLESS OTHERWISE SPECIFIED:			
		0 PLC ±	1 PLC ±	2 PLC ±	3 PLC ±.005[0.13]
MATERIAL		FINISH		APPLICATION SPEC	WEIGHT
CUSTOMER DRAWING		SCALE 5:1		SHEET 2 OF 2	REV A