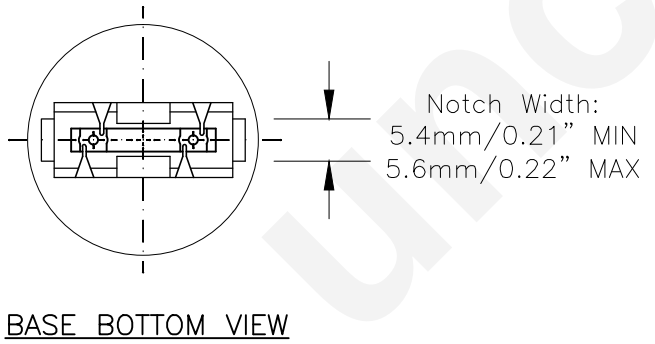
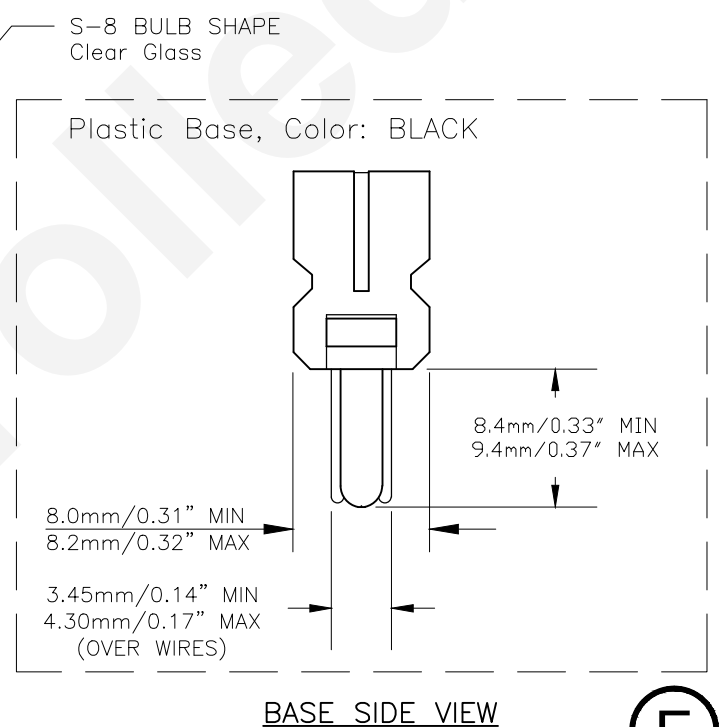
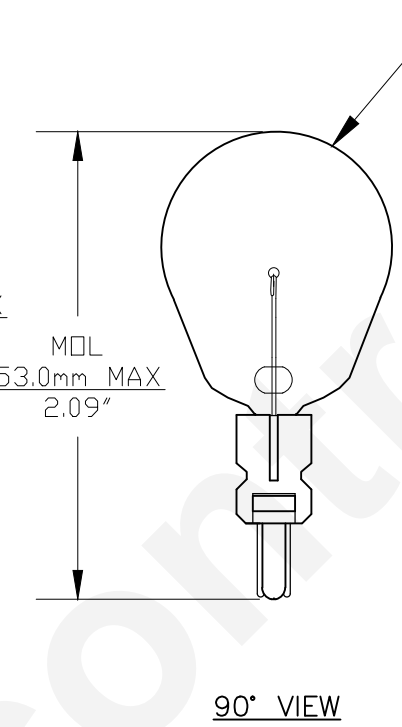
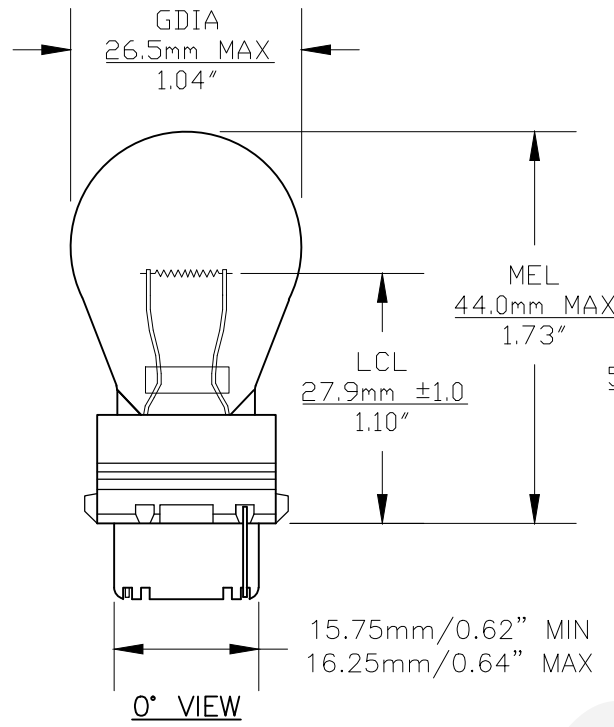




PART NO.	BASE TYPE	DESIGN VOLTS	DESIGN AMPS	MSCD	FILAMENT TYPE	AVERAGE LIFE HOURS
3156	S.F. Plastic Wedge W2.5X16d	12.8V	2.10±5%	32±10%	C-6	1200

REVISIONS			
REV #	DESCRIPTION	DATE	APPROVED
1	ISSUED	06/12/2003	A.S.
2	REDRAWN	04/09/2007	D.C.
3	GDIA MAX DIMENSION	09/24/2009	D.C.



Note: Made according to SAE specifications

UNLESS OTHERWISE SPECIFIED: DIMENSIONS ARE IN INCHES TOLERANCES		CEC INDUSTRIES LTD	
DECIMALS	ANGULAR	599 BOND STREET LINCOLNSHIRE, IL 60069	
.XX ± .05	± 0.5°	TITLE LIGHT BULB NO. 3156 (P27W)	
.XXX ± .010		SIZE A	REV 3
FRACTIONAL	±1/64	FSCM NO.	DWG NO. 3156
DRAWN ANNA SOLOVEYCHIK	DATE 06/12/2003	SCALE	SHEET 1 OF 1
CHECKED		PLOT SCALE	DRAWING NOT TO SCALE
DESIGN		FILE 3156.pdf	
MATERIAL			