

LOC	DIST	REVISIONS					
A	00	P	LTR	DESCRIPTION	DATE	DWN	APVD
			D2	SEE PRODUCTION DRAWING	-	-	-


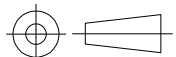
SEE PRODUCTION DRAWING  
466301-2

RELEASED FOR PUBLICATION

ALL RIGHTS RESERVED.

THIS DRAWING IS UNPUBLISHED.

© COPYRIGHT - By -

DIMENSIONS: INCHES	DWN	M. YOUNGER	14MAR2012	MATERIAL	-	FINISH	-
	CHK	M. YOUNGER	14MAR2010	 TE Connectivity			
TOLERANCES UNLESS OTHERWISE SPECIFIED:	APVD	G. BAILEY	14MAR2010				
0 PLC ± -	PRODUCT SPEC			NAME			
1 PLC ± -	-			MINIATURE QUICK CHANGE APPLICATOR			
2 PLC ± -	APPLICATION SPEC			END FEED (RING)			
3 PLC ± -	-			SIZE	CAGE CODE	DRAWING NO	RESTRICTED TO
4 PLC ± -	-			A4	00779	C-466301-2	-
ANGLES ± -	WEIGHT			CUSTOMER DRAWING			
	-			SCALE	-	SHEET	1 OF 1
			REV		D2		