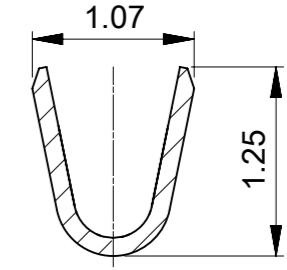


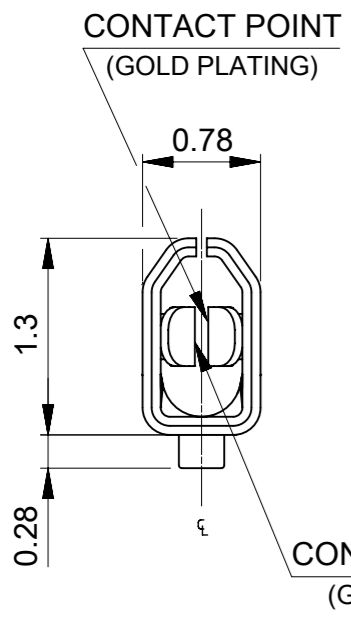
SECTION A-A



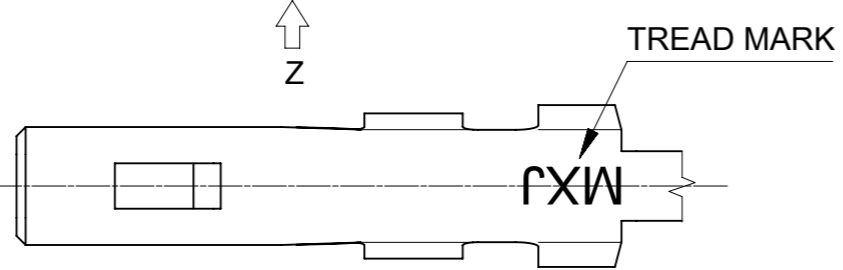
SECTION B-B

NOTES:

- 適合ハウジング: 501189****
APPLICABLE 501330****
HOUSING 501939****
- めっき仕様: 表題欄参照
PLATING: SEE TABLE
- 本製品はコンタクト部 金めっき品である。
THIS PRODUCT IS GOLD PLATING FOR CONTACT POINT.
- 本製品はバレル外面 錫めっき品である。
THIS PRODUCT IS TIN PLATING OUTSIDE A BARREL.
- 圧着条件については、
圧着仕様書(CS-501193-001)を参照願います。
PLEASE REFER TO CRIMP SPECIFICATION (CS-501193-001).
- 製品の取扱いについては、コネクタ取扱い
説明書(5013300000 PS A00,A01)を参照願います。
PLEASE REFER TO INSTRUCTION MANUAL(5013300000 PS A00,A01).



CONTACT POINT (GOLD PLATING)



VIEW Z

1.27µm MIN.	0.9µm MIN.	0.76µm MIN.	5011935100	バラ状 LOOSE
		0.38µm MIN.	5011935000	連鎖状 CHAIN
1.0µm MIN.		0.1µm MIN.	5011936100	バラ状 LOOSE
			5011936000	連鎖状 CHAIN
下地: ニッケルめっき UNDER PLATING: NICKEL PLATING	バレル外側: 錫めっき OUTSIDE OF BARREL: TIN PLATING	接点部: 金めっき CONTACT AREA: GOLD PLATING	オーダー番号 ORDER NO.	端子形状 FORM
めっき仕様(前めっき): PLATING(PRE-PLATING)				

MATERIAL りん青銅 下地ニッケル、部分金めっき、錫めっき品 PHOSPHOR BRONZE t=0.12, SELECTIVE GOLD PLATING, SELECTIVE TIN PLATING, UNDER NICKEL PLATING	THIS DRAWING CONTAINS INFORMATION THAT IS PROPRIETARY TO MOLEX ELECTRONIC TECHNOLOGIES, LLC AND SHOULD NOT BE USED WITHOUT WRITTEN PERMISSION	CURRENT REV DESC: OBSOLETE PART NUMBER AS PER PCN#509451		molex	
	DIMENSION UNITS: mm	SCALE: 20:1	EC NO: 686785		
FINISH SEE NOTE	GENERAL TOLERANCES (UNLESS SPECIFIED)	DRWN: SUGEEB 2021/09/07	CHK'D: GGA 2022/02/28	PRODUCT CUSTOMER DRAWING	
WIRE RANGE AWG#28-32	ANGULAR TOL ± 3.0°	APPR: GGA 2022/02/28	INITIAL REVISION:	DOCUMENT NUMBER	DOC TYPE
INS. RANGE Ø0.4-0.8	4 PLACES ± 0.2	DRWN: QHE31 2017/04/03	APPR: TKANEKO 2017/04/06	5011930000	PSD
	3 PLACES ± 0.2	DRAFT WHERE APPLICABLE MUST REMAIN WITHIN DIMENSIONS		000	C1
	2 PLACES ± 0.2	THIRD ANGLE PROJECTION	DRAWING	SERIES	MATERIAL NUMBER
	1 PLACE ± 0.2	⊕	A3-SIZE	501193	CUSTOMER
	0 PLACES ± 0.2				SEE TABLE
					SHEET NUMBER
					1 OF 1