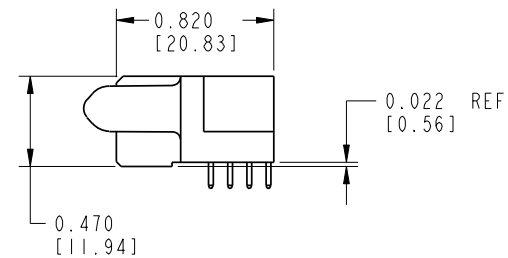
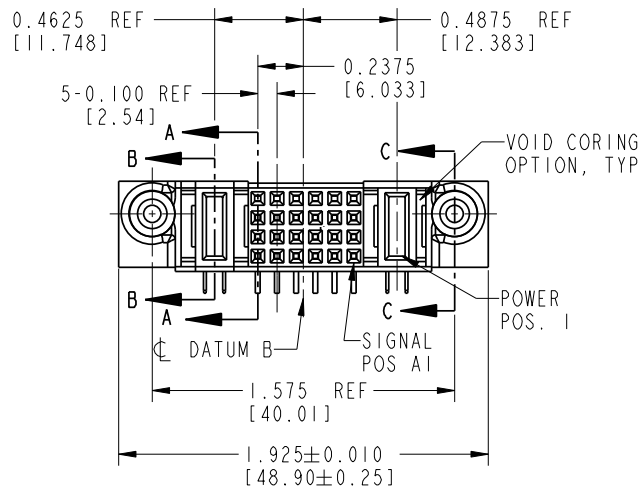
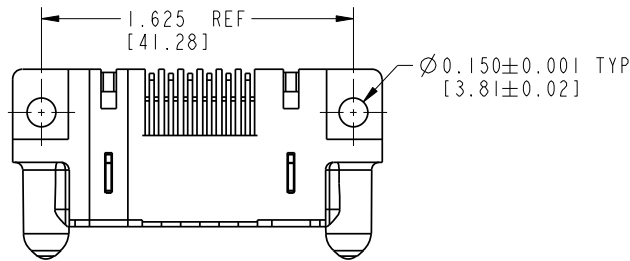
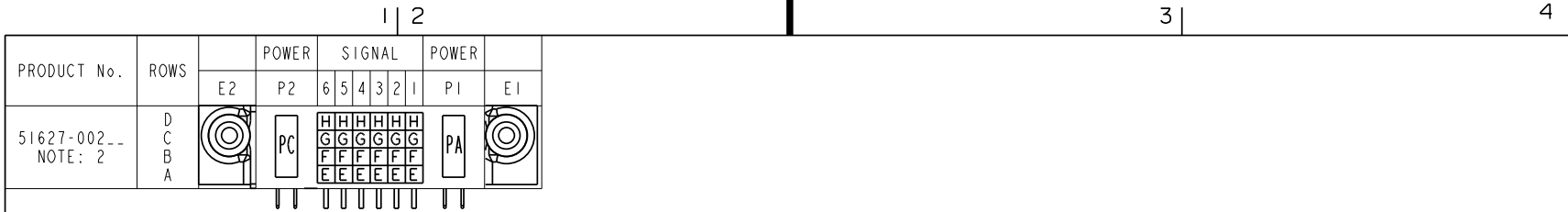


Tous droits strictement réservés. Reproduction ou communication o des liers interdite sous quelque forme que ce soit sans autorisation écrite du propriétaire. Propriété de c FCI. Droits de reproduction FCI.



All rights strictly reserved. Reproduction or issue to third parties in any form whatever is not permitted without written authority from the proprietor. Property of FCI. Copyright FCI.



CONFIDENTIAL

CODE	DIM "M" MATING LENGTH	CONTACT TYPE
PA	0.042	POWER
PC	0.092	POWER
E	N/A	SIGNAL
F	N/A	SIGNAL
G	N/A	SIGNAL
H	N/A	SIGNAL

mat'l code				tolerances unless otherwise specified		CUSTOMER	
lir	ecn no.	dr	date	linear	angles	COPY	
A	DG06-0159	JMG	04/10/06	.XX±.01/0.X±0.3	0°±2°	projection	
				.XXX±.005/0.XX±0.13		MM	
				.XXX±.0005/0.XXX±.051		scale 1:1	
				dr JM GUO 04/10/06		product family PwrBlade code 213	
				enrg SLUO 04/10/06		size dwg no 51627-002 sheet 1 of 3	
				chr BEER FU 04/10/06			
				appd JOSEPH HSIA 04/10/06			
sheet index	revision sheet	A 1	A 2	A 3			



title IP + 24S + IP RIGHT ANGLE SOLDER RECEPTACLE

product family PwrBlade code 213 size dwg no 51627-002 sheet 1 of 3

Tous droits strictement réservés. Reproduction ou communication o des liers interdite sous quelque forme que ce soit sans autorisation écrite du propriétaire. Propriété de c FCI. Droits de reproduction FCI.

All rights strictly reserved. Reproduction or issue to third parties in any form whatever is not permitted without written authority from the proprietor. Property of FCI. Copyright FCI.

A

A

FCI

B

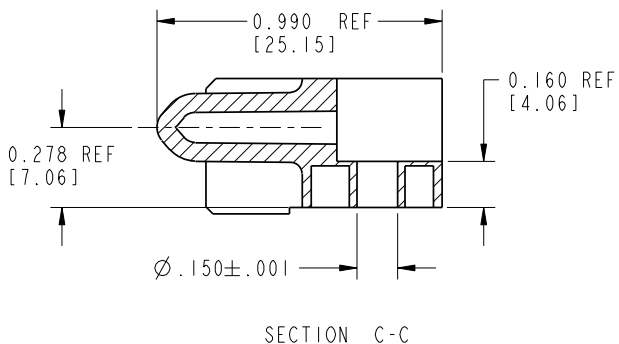
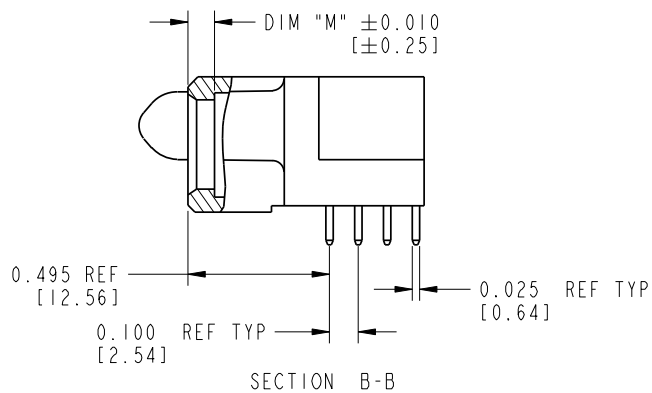
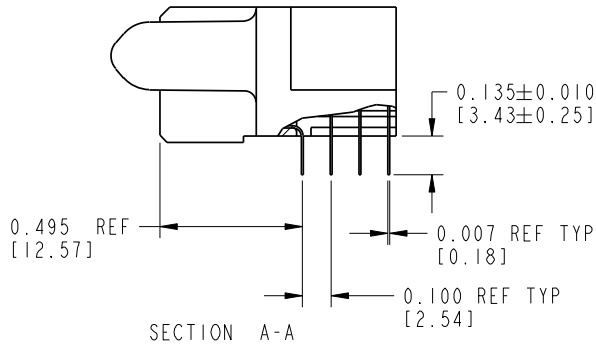
A

B

PRODUCT NUMBER

51627-002--

NOTE: 2



CONNECTOR NOTES:

- HOUSING MATERIAL: UL 94 V-0 GLASS FILLED HIGH TEMP THERMOPLASTIC
POWER CONTACT MATERIAL: COPPER ALLOY
SIGNAL CONTACT MATERIAL: COPPER ALLOY
 - 51627-002;51627-002LF;51627-002GLF PLATING SPEC. SEE PRINT:10064183
 - "MANUFACTURER" NAME, P/N, AND DATE CODE TO APPEAR ON THIS SURFACE
 - PRODUCT SPECIFICATION GS-12-149
- PCB NOTES:
- ALL DIMENSIONS ARE BASIC UNLESS OTHERWISE SPECIFIED.
 - ALL THROUGH HOLES ARE LOCATED WITH A TRUE POSITION OF 0.004 [0.10]
 - ALL HOLE DIAMETERS ARE FINISHED HOLE SIZE
 - Ø0.158[4.01] THROUGH HOLES ARE UNPLATED.
 - Ø0.0453±0.0010 [1.151±0.025] DRILLED HOLES PLATED WITH 0.0003 [0.008] MIN SnPb OVER 0.001 [0.03] TO 0.003 [0.08] Cu PLATING TO ACHIEVE A Ø0.040±0.003 [1.02±0.07] HOLE.

CONFIDENTIAL

mat'l code		SEE NOTES		tolerances unless otherwise specified		CUSTOMER		 www.fciconnect.com	
lfr	ecn no.	dr	date	linear	.XX±.01/0.X±0.3	COPY		title	
A					.XXX±.005/0.XX±0.13	projection		IP + 24S + IP	
				angles	.XXX±.0005/0.XXX±.051			RIGHT ANGLE SOLDER RECEPTACLE	
				dr	0°±2°	INCH/MM		product family	
				enrg	JM GUO date drawn	scale		PwrBlade	
				chr	SLUO 04/10/06	3:2		code	
				appd	BEER FU 04/10/06	A		213	
					JOSEPH HSIA 04/10/06	51627-002		sheet	
sheet index	revision sheet							?	

Pro/E

PDM: Rev: A

STAT **Released**

Printed: Dec 20, 2010

Tous droits strictement réservés. Reproduction ou communication o des liers interdite sous quelque forme que ce soit sans autorisation écrite du propriétaire. Propriete de c FCI. Droits de reproduction FCI.

All rights strictly reserved. Reproduction or issue to third parties in any form whatever is not permitted without written authority from the proprietor. Property of FCI. Copyright FCI.

A
FCI

A

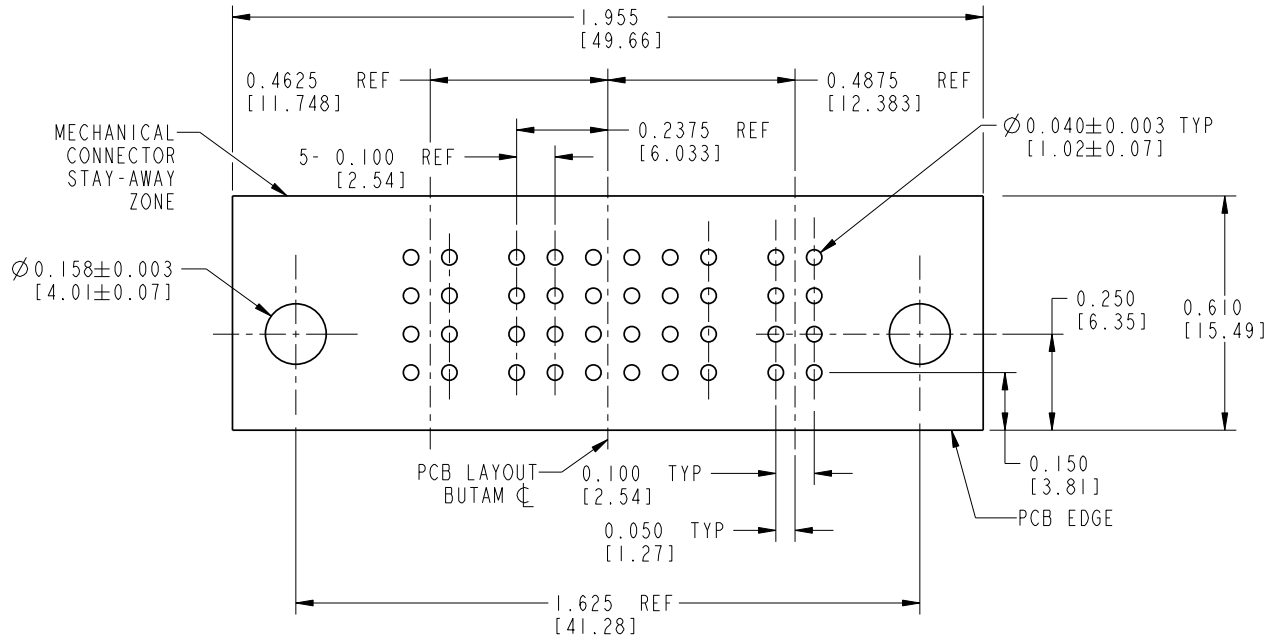
B

1 | 2

3 |

4

PRODUCT NUMBER
51627-002--
NOTE: 2



RECOMMENDED PCB LAYOUT

CONFIDENTIAL

mat'l code		SEE NOTES		tolerances unless otherwise specified		CUSTOMER		A FCI www.fciconnect.com	
lir	ecn no.	dr	date	linear	.XX±.01/0.X±0.3	COPY		title	
A					.XXX±.005/0.XX±0.13	projection		IP + 24S + IP	
				angles	.XXX±.0005/0.XXX±.051	INCH/MM		RIGHT ANGLE SOLDER RECEPTACLE	
				dr	0°±2°	scale		product family	
				enr	JM GUO 04/10/06	1:1		PwrBlade	
				chr	SLUO 04/10/06			code	
				appd	BEER FU 04/10/06			213	
					JOSEPH HSIA 04/10/06			sheet	
sheet index	revision sheet							3	

B

1 | 2

Pro/E

PDM: Rev: A

STAT **US: Released**

code code 22556
4
Printed: Dec 20, 2010