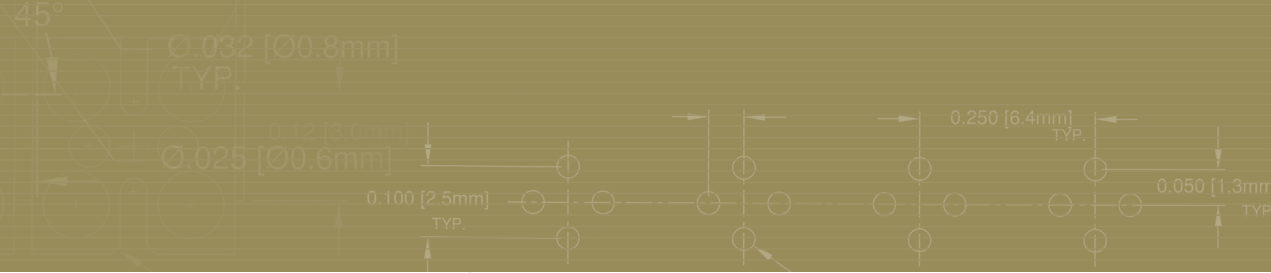


PERM-O-PADS®

TO-5 and Integrated Circuit Mounts



Material Specifications:

White or Natural Nylon, per ASTM D4066 PA111, UL Rated 94V-2.

Oxygen Rating Index: Over 28%

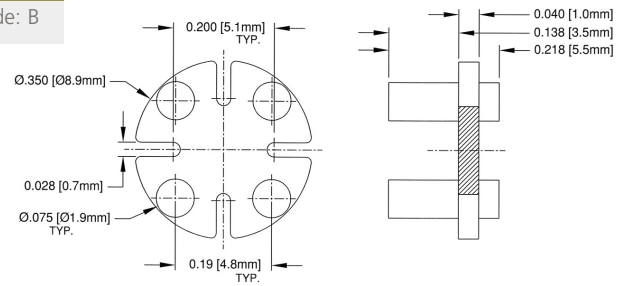
Standard Drawing Tolerances:

(unless otherwise indicated)

Fractions: $\pm 1/64$ (0.4) .XX = ± 0.01 (0.25)
 .X = ± 0.10 (2.5) .XXX = ± 0.005 (0.13)

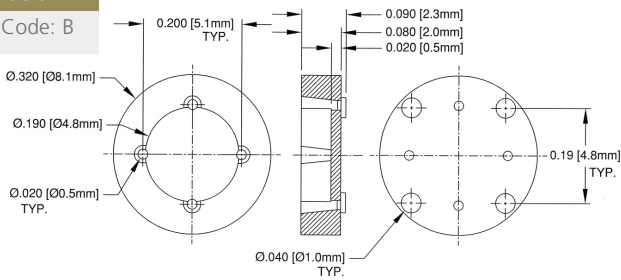
531-218

Price Code: B



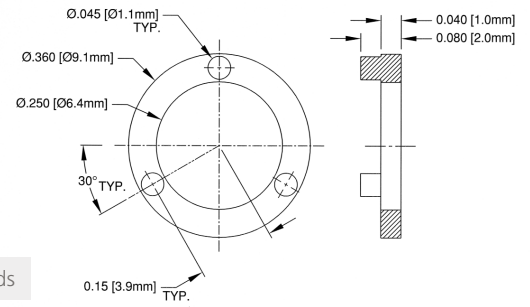
535-090

Price Code: B



600-080

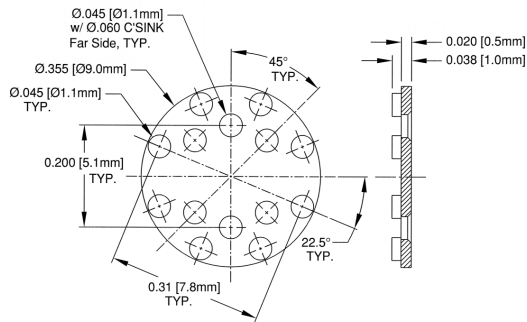
Price Code: A



6, 8, 10 or 12 Leads

602-038

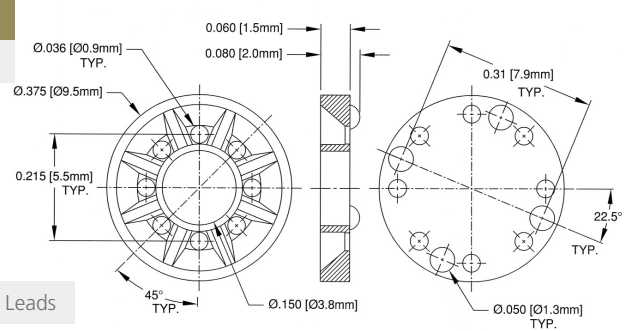
Price Code: B



6 Leads

605-085

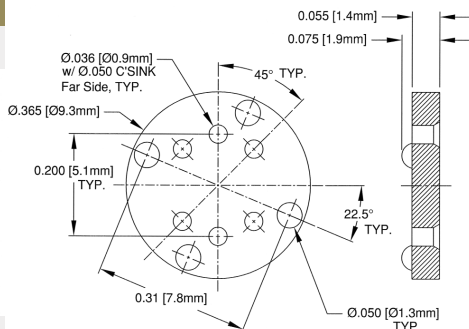
Price Code: B



Color: Blue, 8 Leads

609-075

Price Code: B

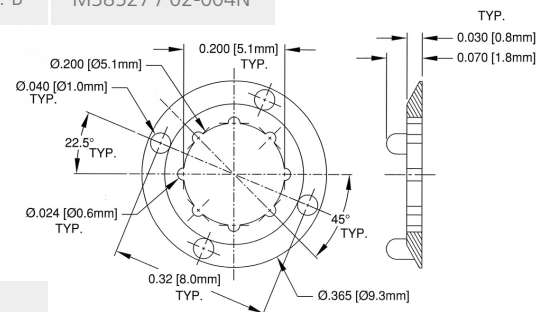


6 Leads

616-070

Price Code: B

A55485 / 02-004N
M38527 / 02-004N



8 Leads