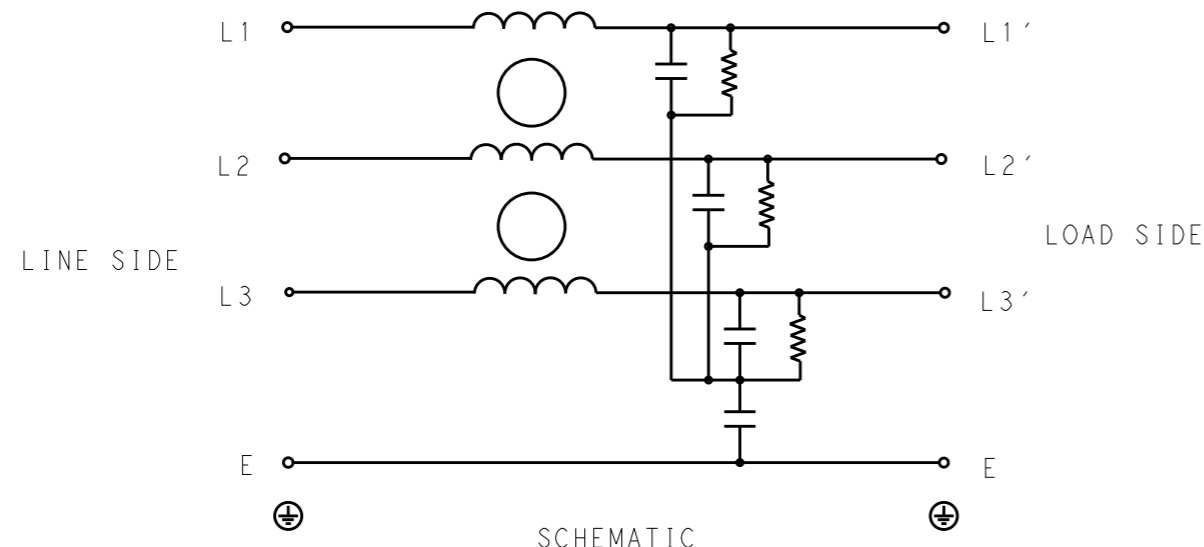


REVISIONS

| P | LTR | DESCRIPTION | DATE | DWN | APVD |
|---|-----|-----------------|-----------|-----|------|
| | B | INITIAL RELEASE | 07JUL2020 | SR | LI |
| | | | | | |
| | | | | | |



TYPICAL INSERTION LOSS
COMMON MODE 50/50Ω; DIFFERENTIAL MODE 50/50Ω

| MHz | 0.01 | 0.05 | 0.15 | 0.5 | 1 | 3 | 5 | 10 | 30 |
|-----|------|------|------|-----|----|----|----|----|----|
| CM | 3 | 5 | 13 | 19 | 33 | 40 | 42 | 48 | 31 |
| DM | 4 | 4 | 15 | 25 | 30 | 38 | 45 | 54 | 56 |

SAFETY ORGANIZATIONS

THIS FILTER WILL BE FORMALLY RECOGNIZED, CERTIFIED OR APPROVED BY THE LISTED AGENCY. THEREFORE, ALL TEST/REQUIREMENTS SPECIFIED IN THE LATEST REVISION OF THE FOLLOWING AGENCY STANDARDS WILL BE MET:

UL RECOGNIZED* 6A 520V 50Hz/60Hz 40°C
 CSA CERTIFIED** 6A 520V 50Hz/60Hz 40°C
 *31 JULY 2020 ; **31 AUGUST 2020

OPERATING SPECIFICATION

LINE CURRENT/VOLTAGE: 6A, 520VAC
LINE FREQUENCY: 50/60Hz

MAXIMUM LEAKAGE CURRENT: 3mA @ 230VAC, 50Hz

OPERATING AMBIENT TEMPERATURE RANGE @ RATED CURRENT: -25°C TO +40°C

IN AN AMBIENT, T_a, HIGHER THAN 40°C, THE MAXIMUM OPERATING CURRENT, I_o, IS AS FOLLOWS:

$$I_o = I_r \sqrt{\frac{85 - T_a}{45}}$$

RELIABILITY SPECIFICATIONS

STORAGE TEMPERATURE: -40°C TO +85°C
HUMIDITY: 21 DAYS @ 40°C AND 95% RH

TEST SPECIFICATIONS

INDUCTANCE, NOMINAL: 0.5 mH

CAPACITANCE @ 1kHz
LINE TO GROUND, NOMINAL: 18nF
LINE TO LINE, NOMINAL: 50nF

DISCHARGE RESISTOR

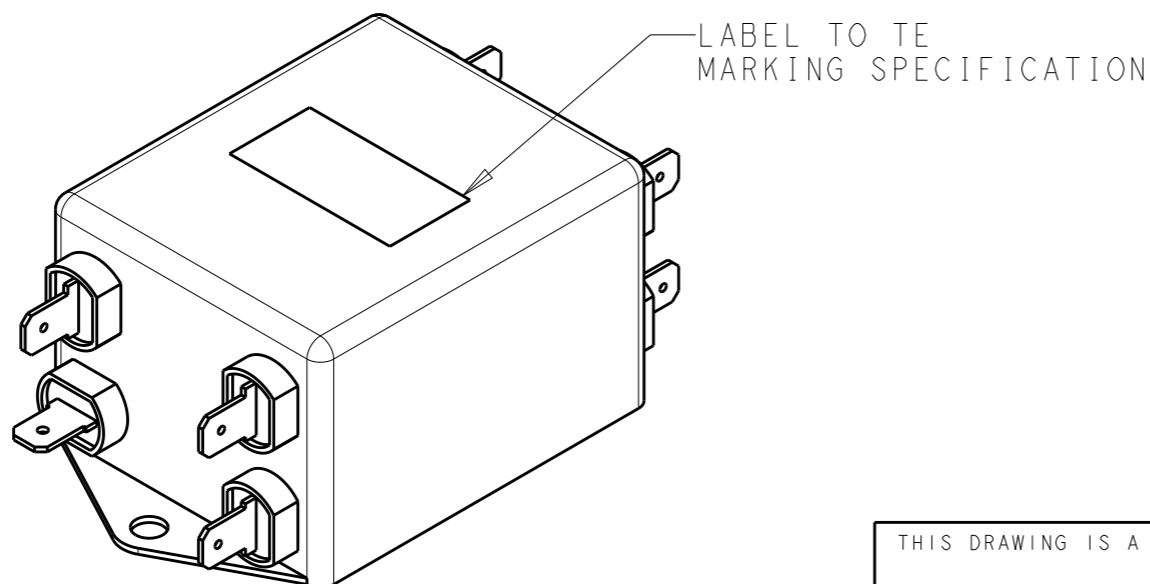
L/G I.R. 680KΩ 1W
 L/L I.R. 2MΩ 1W
 L/N I.R. XXX
 N/G I.R. XXX
 IR (NO DISCHARGE RESISTOR) 20°C, 50% RH AND 100VDC, MIN: 6MΩ

RECOMMENDED RECEIVING INSPECTION HIPOT

LINE TO GROUND FOR 1 MINUTE: 2856VDC
LINE TO LINE FOR 1 MINUTE: 2236VDC

FILTER APPROVAL

THE BEST WAY TO SELECT AND QUALIFY A FILTER IS FOR YOUR ENGINEERING TO TEST THE UNIT IN YOUR EQUIPMENT.



| | | | | |
|--|--|--------------------------------|--------------------------------------|--|
| THIS DRAWING IS A CONTROLLED DOCUMENT. | | DWN SUPREETH R 06FEB2020 | | |
| DIMENSIONS: mm | | CHK LEO IRUDHAYARAJ 06FEB2020 | | |
| TOLERANCES UNLESS OTHERWISE SPECIFIED: | | APVD LEO IRUDHAYARAJ 06FEB2020 | NAME POWER LINE FILTER 6KEBS1BFPD | |
| 0 PLC ±- | | PRODUCT SPEC - | SIZE A300779 CAGE CODE C-4-1609965-2 | |
| 1 PLC ±0.5 | | APPLICATION SPEC - | RESTRICTED TO - | |
| 2 PLC ±0.40 | | WEIGHT - | SCALE 1:1 SHEET 1 OF 2 REV B | |
| 3 PLC ±0.130 | | CUSTOMER DRAWING | | |
| 4 PLC ±0.0500 | | | | |
| ANGLES ±- | | | | |
| MATERIAL - | | | | |
| FINISH - | | | | |

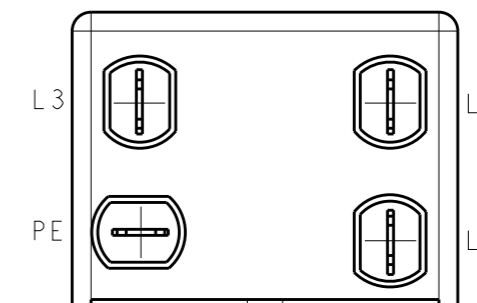
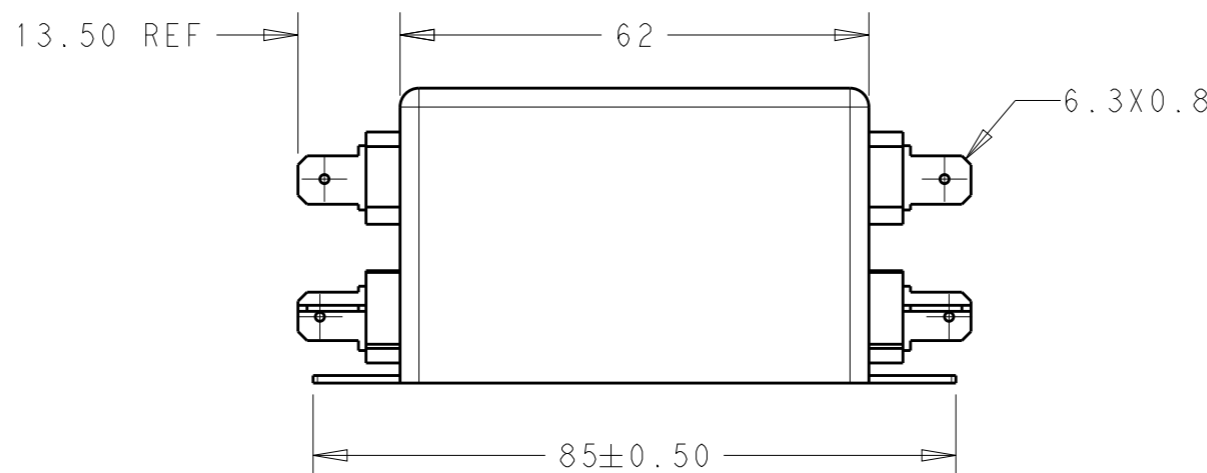
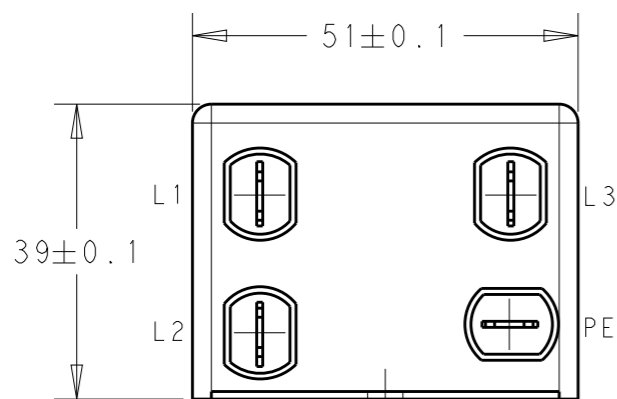
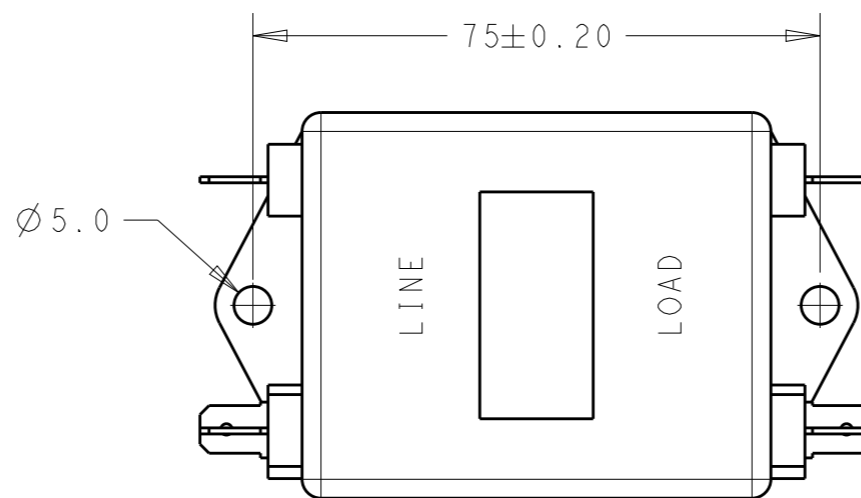
© 2020 TE Connectivity. All Rights Reserved.

NOTE 1 GROUND CONNECTION:
DO NOT LOOSEN INNER GROUND NUTS.
TORQUE OUTER TERMINAL /GROUND NUTS: XXX

NOTE 2 INPUT OUTPUT CONNECTION TERMINAL
AWG SIZE: XXX
WIRE SECTION: XXX

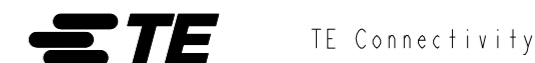
REVISIONS

| P | LTR | DESCRIPTION | DATE | DWN | APVD |
|---|-----|-------------|------|-----|------|
| | | SEE SHEET 1 | | | |
| | | | | | |
| | | | | | |



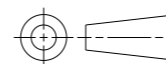
THIS DRAWING IS A CONTROLLED DOCUMENT.

DWN 06FEB2020
SUPREETH R
CHK 06FEB2020
LEO IRUDHAYARAJ
APVD 06FEB2020
LEO IRUDHAYARAJ



DIMENSIONS:

mm



TOLERANCES UNLESS OTHERWISE SPECIFIED:

| | |
|--------|---------|
| 0 PLC | ±- |
| 1 PLC | ±0.5 |
| 2 PLC | ±0.40 |
| 3 PLC | ±0.130 |
| 4 PLC | ±0.0500 |
| ANGLES | ±- |

MATERIAL

-

FINISH

-

PRODUCT SPEC

APPLICATION SPEC

WEIGHT

-

NAME
POWER LINE FILTER
6KEBS1BFPD

| | | | |
|------|-----------|------------|---------------|
| SIZE | CAGE CODE | DRAWING NO | RESTRICTED TO |
|------|-----------|------------|---------------|

| | | |
|---------|---------------|---|
| A300779 | C-4-1609965-2 | - |
|---------|---------------|---|

CUSTOMER DRAWING

| | | | |
|-------|-------|----|-----|
| SCALE | SHEET | OF | REV |
| 1:1 | 2 | 2 | B |