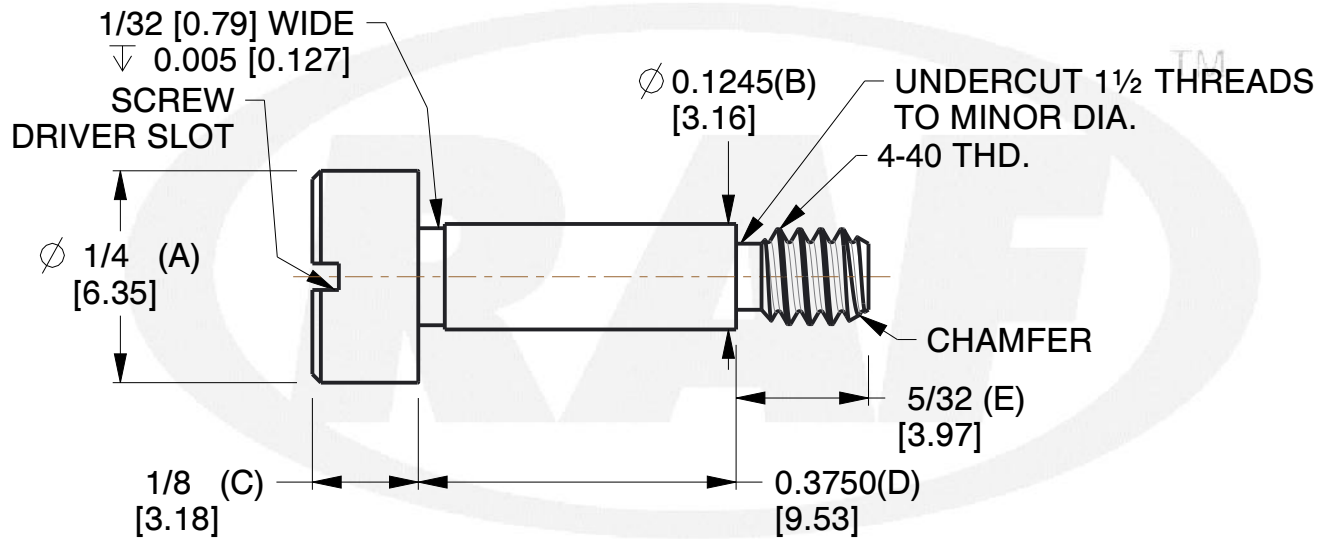


REV	CHANGE	DATE	DRN	CHK
	Drawn	04/05/2017	SJ	T

TOLERANCE DETAILS		
1	A	±0.004 [±0.10]
2	B	+0.000 [+0.00] -0.001 [-0.03]
3	C	±0.010 [±0.30]
4	D	+0.002 [+0.05] -0.000 [-0.00]
5	E	±0.005 [±0.13]



**NOTES:**

1. Material : Stainless Steel
2. Finish :
3. ASME Y14.5-M - 2009
4. All Drawing Dimensions are in Inches [mm]
5. Unless otherwise specified; Edge Breaks, Radii or Countersinks 0.005-0.015

COMPONENT	SLOTTED HEAD	SCALE
7005-SS PRECISION SHOULDER SCREWS SLOTTED HEAD		4.41
		SHEET
		1 of 1



95 Silvermine Rd., Seymour CT 06483  
 Tel: 203-888-2133, Fax: 203-888-9860

This Drawing is the Property of RAF.  
 It contains confidential, proprietary information that is RAF property. Do not disclose to or duplicate for others except as authorized by RAF.

**TOLERANCES**  
 ALL DIMENSIONS ARE INCHES (UNLESS OTHERWISE SPECIFIED)  
**METALLIC**  
 LENGTHS < 6 INCHES ± 0.005  
 LENGTH > 6 INCHES ± 0.010  
 DIAMETERS: ± 0.005  
**NON-METALLIC**  
 LENGTH: ± 0.010 DIAMETERS: ± 0.010  
**INTERNAL THREADS:**  
 MINIMUM THREAD DEPTH