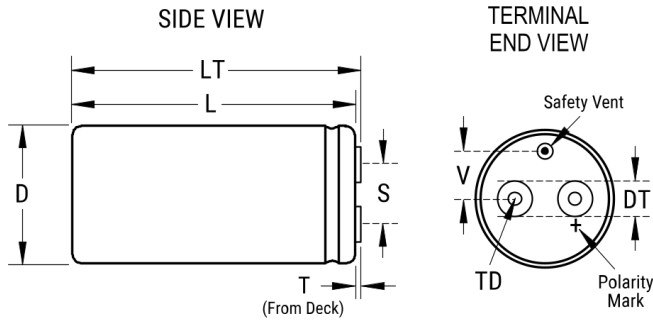


## ALS40A681DB250

Aliases (A341FD681M250A)

ALS40, Aluminum Electrolytic, 680 uF, 20%, 250 VDC, -40/+105°C



Click [here](#) for the 3D model.

### Dimensions

D	36mm +/-1mm
L	62mm +/-2mm
T	7.1mm +/-0.5mm
S	12.8mm +/-0.5mm
DT	8mm +/-0.5mm
LT	67.5mm +/-1mm
TD	10mm MIN
V	8mm NOM

### Packaging Specifications

Sleeving	Yes
Packaging	Bulk, Box

### General Information

Series	ALS40
Dielectric	Aluminum Electrolytic
Description	Screw Terminal, Aluminum Electrolytic
RoHS	Yes
AEC-Q200	No
Halogen Free	No
Component Weight	90 g
Notes	Dimensions D And L Include Sleeving. MS (MxH) = M8x12. Mounting Clamp (Sold Separately): V3/H2/2736
Shelf Life	156 Weeks

### Specifications

Capacitance	680 uF
Capacitance Tolerance	20%
Voltage DC	250 VDC, 287.5 VDC (Surge)
Temperature Range	-40/+105°C
Rated Temperature	105°C
Life	6000 Hrs (Rated Voltage And Ripple Current At 105C), 10000 Hrs (Rated Voltage At 105C)
Resistance	164 mOhms (100Hz 20C), 122 mOhms (10kHz 20C)
Ripple Current	3.2 Amps (100Hz 105C), 4.8 Amps (10kHz 105C)
Leakage Current	510 uA (5min 20°C)