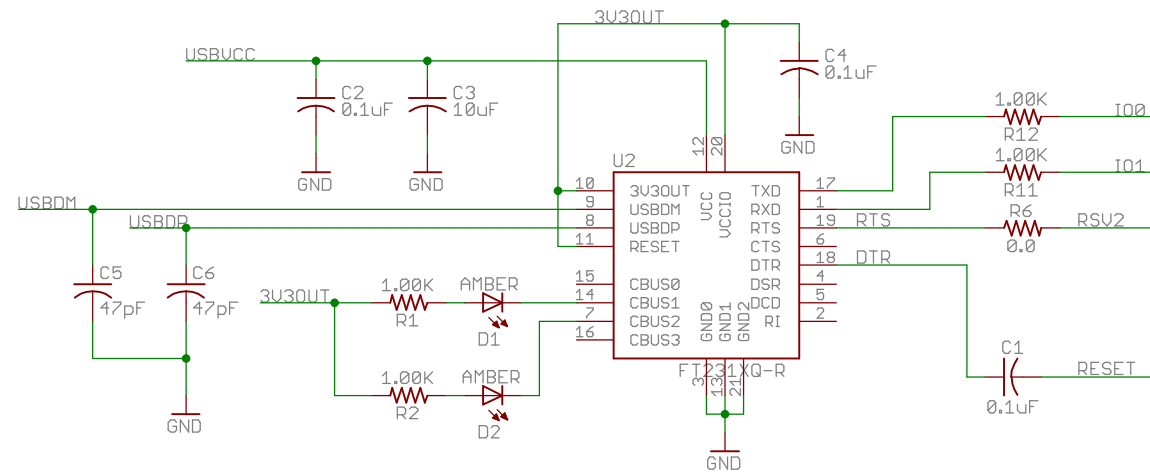
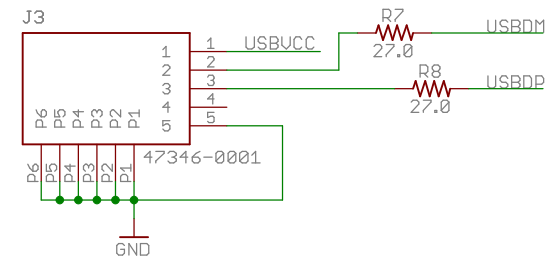
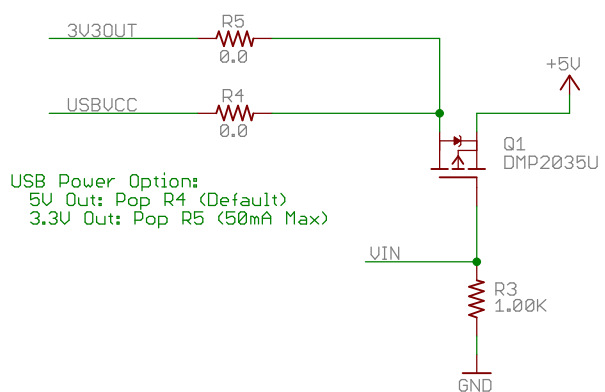
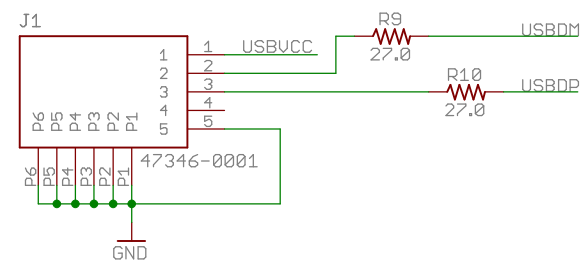


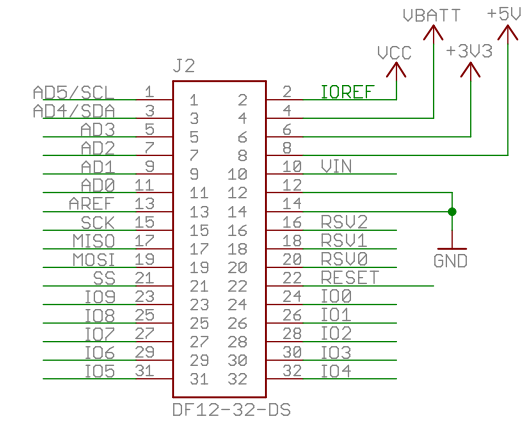
### Micro USB



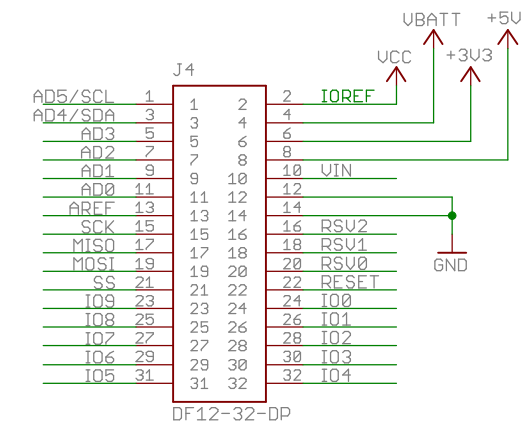
### Micro USB



### TinyShield Expansion - Bottom



### TinyShield Expansion - Top



Released under the Creative Commons Attribution Share-Alike 3.0 License  
<http://creativecommons.org/licenses/by-sa/3.0>

Original Arduino Uno Design by Team Arduino  
 LilyPad Arduino Design by Leah Buechley and Sparkfun Electronics  
 TinyDuino, TinyLily and TinyShield Designs by TinyCircuits

		<a href="http://www.TinyCircuits.com">http://www.TinyCircuits.com</a>	
TITLE: USB TinyShield			
Document Number: AS-SCH-ASD2101			REV: 6
Date: 2/13/2016 7:49:49 PM			Sheet: 1/1