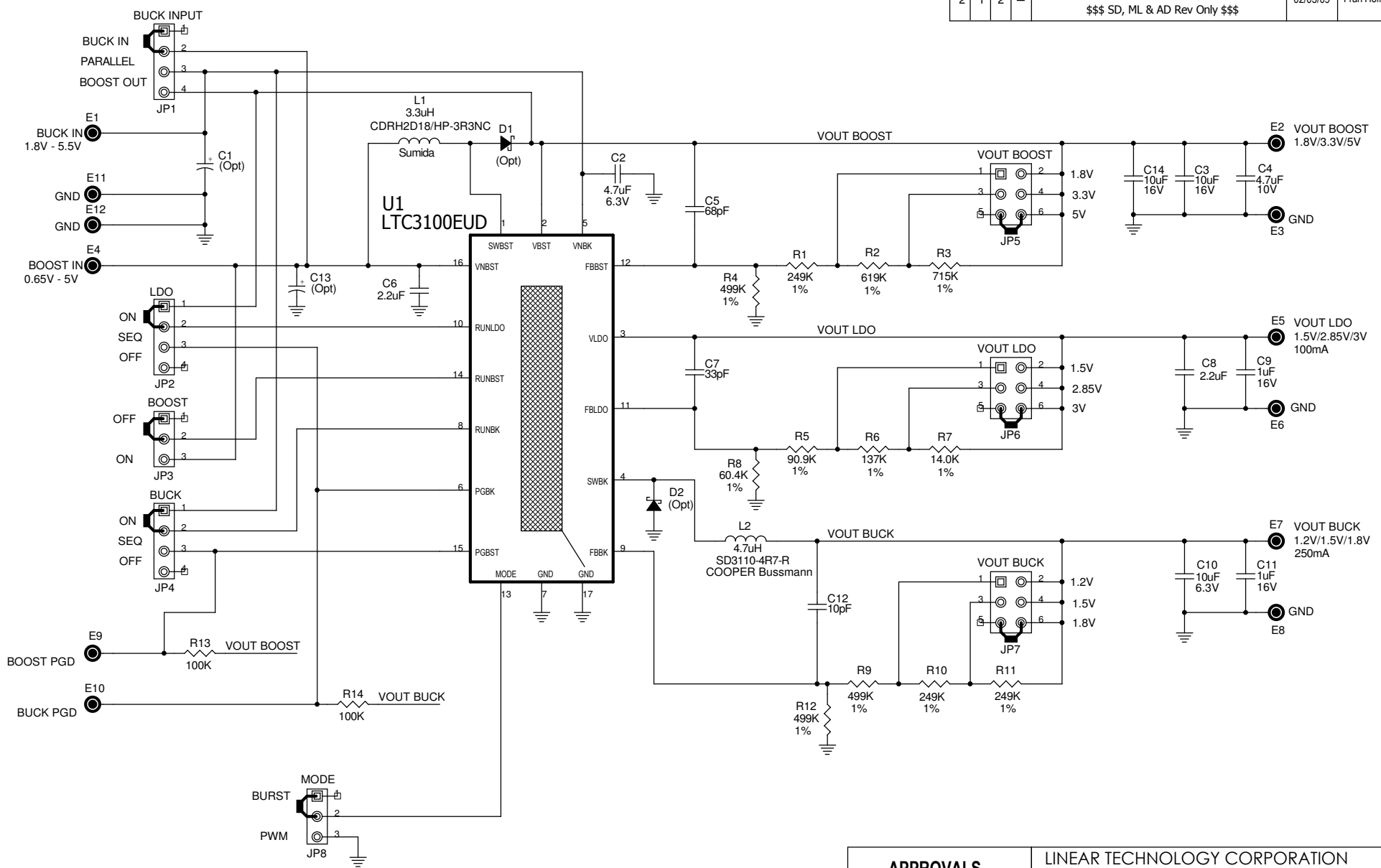


REVISION #				REVISION HISTORY		
SD	PC	AD	FD	DESCRIPTION	DATE	APPROVED
0	0	0	0	1st Release		
2	1	2	-	Value Changed - C3,C4,C5. Added - C14	02/05/09	Fran Hoffart
				\$\$\$ SD, ML & AD Rev Only \$\$\$		



This circuit is proprietary to Linear Technology and supplied for use with Linear Technology parts.

Customer Notice: Linear Technology has made a best effort to design a circuit that meets customer-supplied specifications; however, it remains the customer's responsibility to verify proper and reliable operation in the actual application. Component substitution and printed circuit board layout may significantly affect circuit performance or reliability. Contact Linear Applications Engineering for assistance.

APPROVALS		LINEAR TECHNOLOGY CORPORATION	
DRAWN: Rudy Bautista		1630 McARTHUR BLVD MILPITAS, CA. 95035 (408)432-1900 (408)434-0507 (FAX)	
ENGINEER: Fran Hoffart		www.linear.com LTC Confidential - For Customer Use Only	
APPROVED:		Title LTC3100EUD, Synchronous Step-Up and Step-Down Converters and LDO Regulator	
CHECKED:		Document Number Demo Circuit 1326A	
Date: Friday, February 13, 2009	C:\ORCAD\WINCAPTURE\1326A\1326A_00_REV2.DSN	Rev	2
Sheet 1 of 1			