

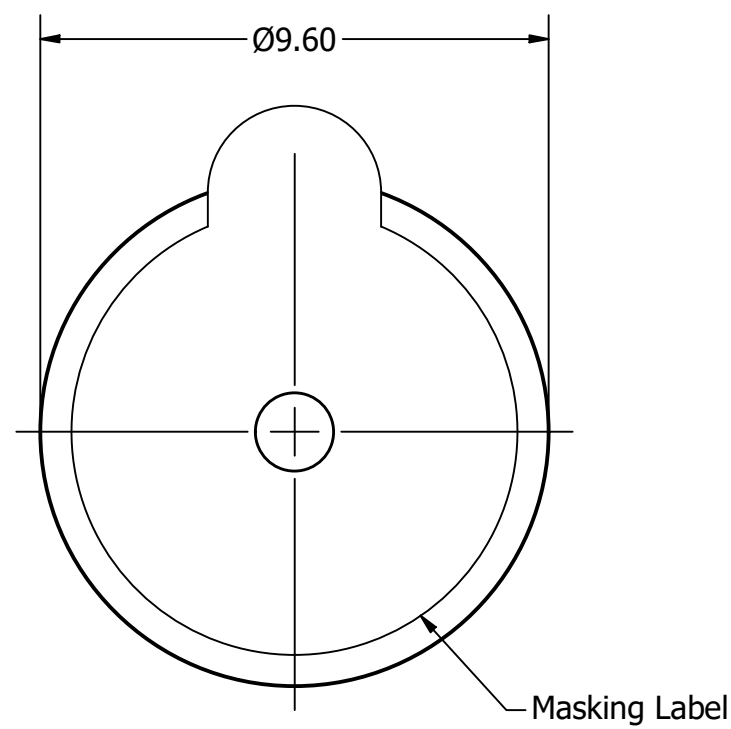


# DB UNLIMITED

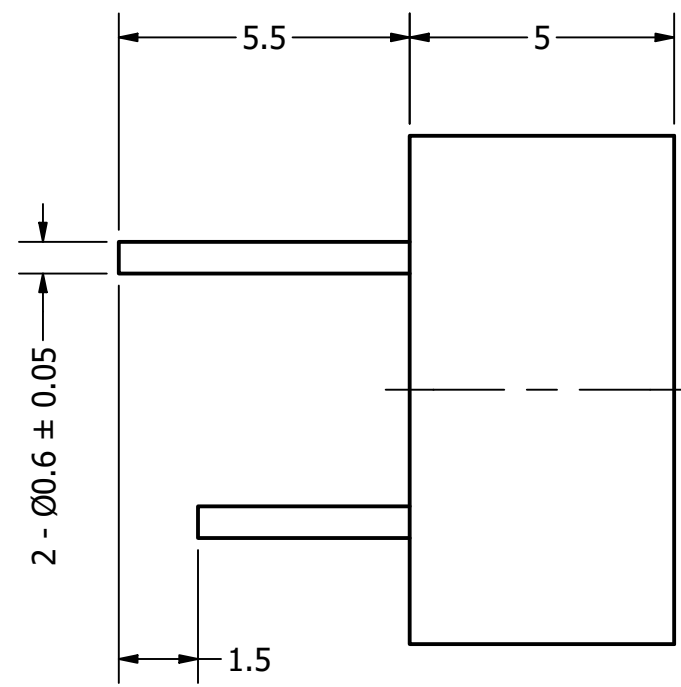
Part Number:	<b>IE092705-1</b>	
DESCRIPTION:	<b>Electro-Mechanical Indicator</b>	
DRAWN	CJ	6/20/2016
CHECKED	P.D.	3/24/2017
APPROVED	C.E.	3/24/2017

This document contains data proprietary to DB Unlimited. Any use or reproduction, in any form, without prior written permission of DB Unlimited is prohibited. All terms and conditions can be found at [www.dbunlimitedco.com](http://www.dbunlimitedco.com)

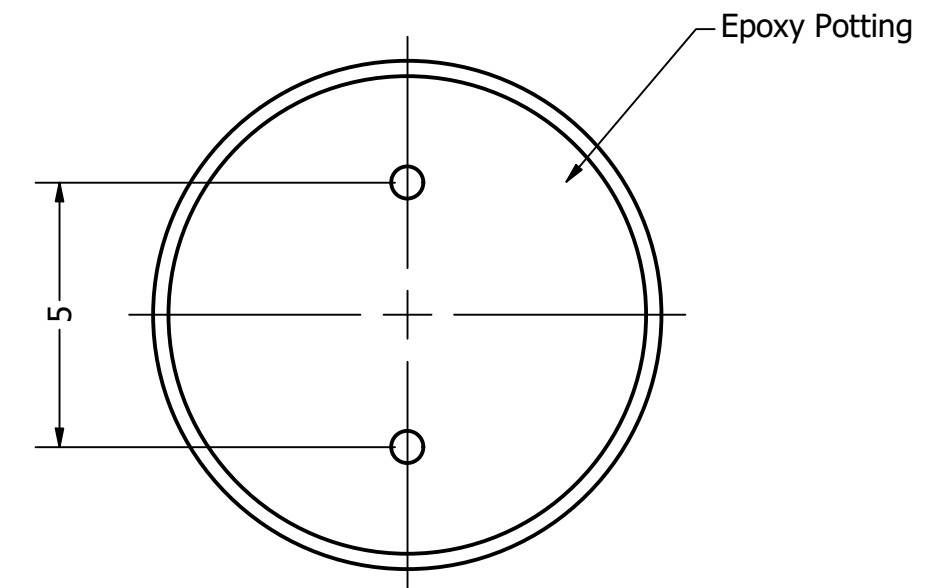
Top View



Side View



Bottom View



Items	Specifications	Conditions	REVISION HISTORY			
Sound Pressure Level	80	dB (@ 10cm)	REV	DESCRIPTION	DATE	APPROVED
Tone	Single		1	Released from Engineering	10/21/2013	J.S.
Resonant Frequency	2,730 ± 300	Hz	2	Update template, specs, add missing washtab	3/23/2017	C.E.
Rated Voltage	5	V		Updated storage temperature	4/17/2019	C.E.
Voltage Range	3 - 7	V				
Max. Rated Current	25	mA				
Storage Temperature	-30 ~ +85	°C				
Operating Temperature	-30 ~ +85	°C				
Connection Method	PC Pins		NOTES			
Mount Type	Thru Hole		1) All dimensions are in mm unless otherwise noted			
Housing Material	PBT		2) All tolerances are ± 0.5 mm unless otherwise noted			
Weight	1	g	3) All parts meet RoHS			
			4) Subject to change or redrawn without notice			