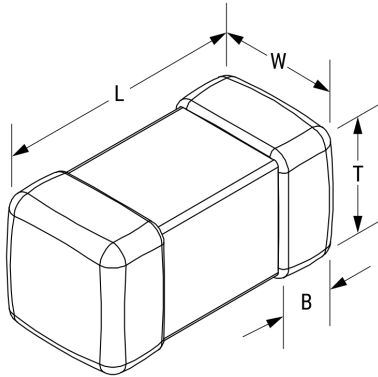


## L0603CR22KSMST

Aliases (L0603CR22KSMST)

Obsolete

KEMET, L-SMS, Commercial Grade, 0.22 uH, 10%



Click [here](#) for the 3D model.

### Dimensions

|           |                 |
|-----------|-----------------|
| Chip Size | 0603            |
| L         | 1.6mm +/-0.15mm |
| W         | 0.8mm +/-0.15mm |
| T         | 0.8mm +/-0.15mm |
| LL        | 0.3mm +/-0.2mm  |
| B         | 0.3mm +/-0.2mm  |

### Packaging Specifications

|                    |      |
|--------------------|------|
| Packaging          | T&R  |
| Packaging Quantity | 4000 |

### General Information

|              |                                                                                                                                                                                                               |
|--------------|---------------------------------------------------------------------------------------------------------------------------------------------------------------------------------------------------------------|
| Series       | L-SMS                                                                                                                                                                                                         |
| Style        | SMD Chip                                                                                                                                                                                                      |
| Description  | Shielded, Surface Mount Inductor                                                                                                                                                                              |
| Features     | Standard Type                                                                                                                                                                                                 |
| RoHS         | Yes                                                                                                                                                                                                           |
| Core         | Ceramic                                                                                                                                                                                                       |
| Winding Type | Multilayer                                                                                                                                                                                                    |
| Notes        | Suggested Replacement - <a href="https://www.chilisin.com/en-global/Inductor/Product/BSCL_160808/BSCL00160808R22K00">https://www.chilisin.com/en-global/Inductor/Product/BSCL_160808/BSCL00160808R22K00</a> . |

### Specifications

|                         |                |
|-------------------------|----------------|
| Inductance              | 0.22 uH        |
| Inductance Tolerance    | 10%            |
| Temperature Range       | -40/+85°C      |
| Current                 | 50 mAmps (MAX) |
| DC Resistance           | 0.8 Ohms       |
| Quality Factor          | 15 at 25 MHz   |
| Self-Resonant Frequency | 150 MHz        |