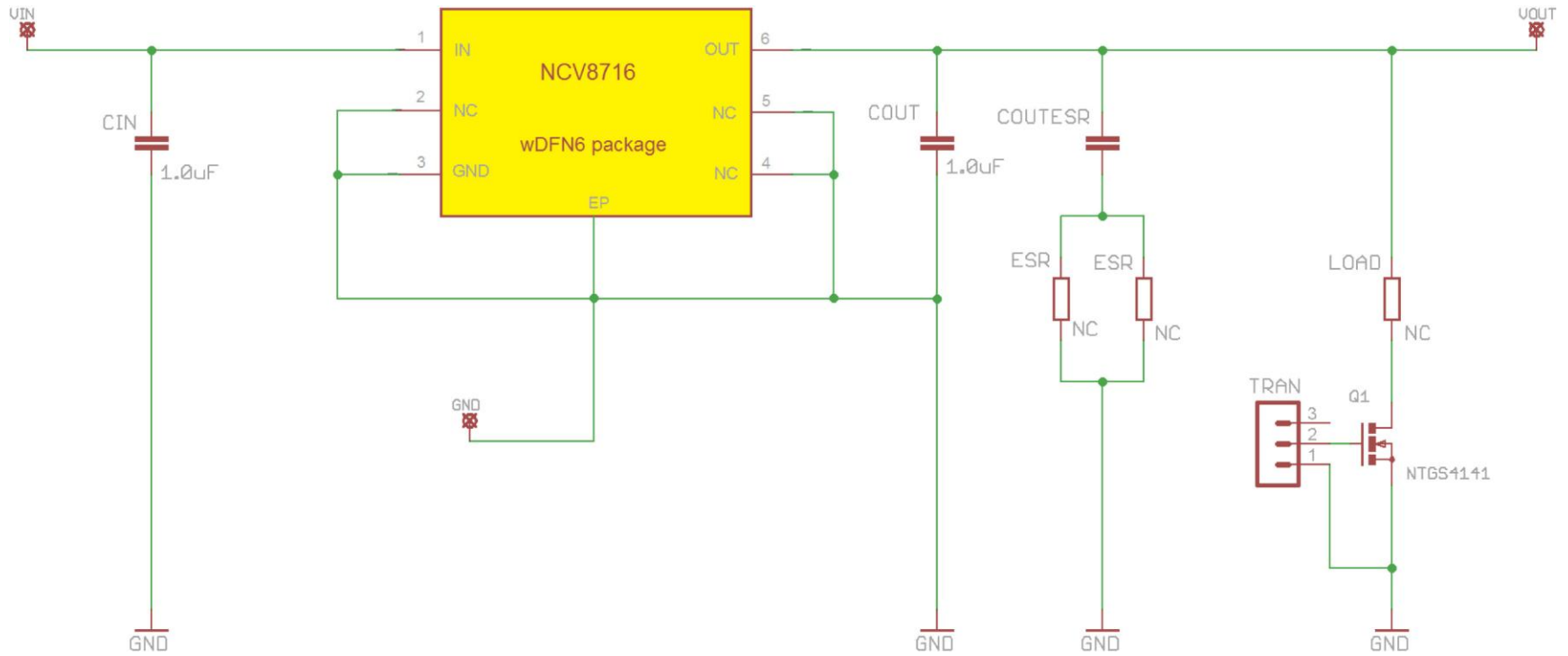


Schematic for the NCV8716MTTBGEVB Evaluation Board



ON Semiconductor®

