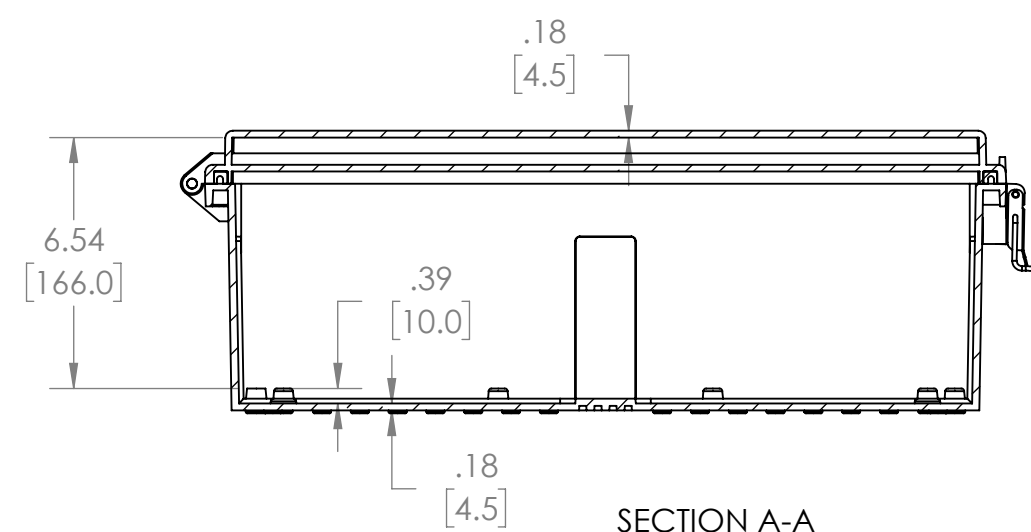
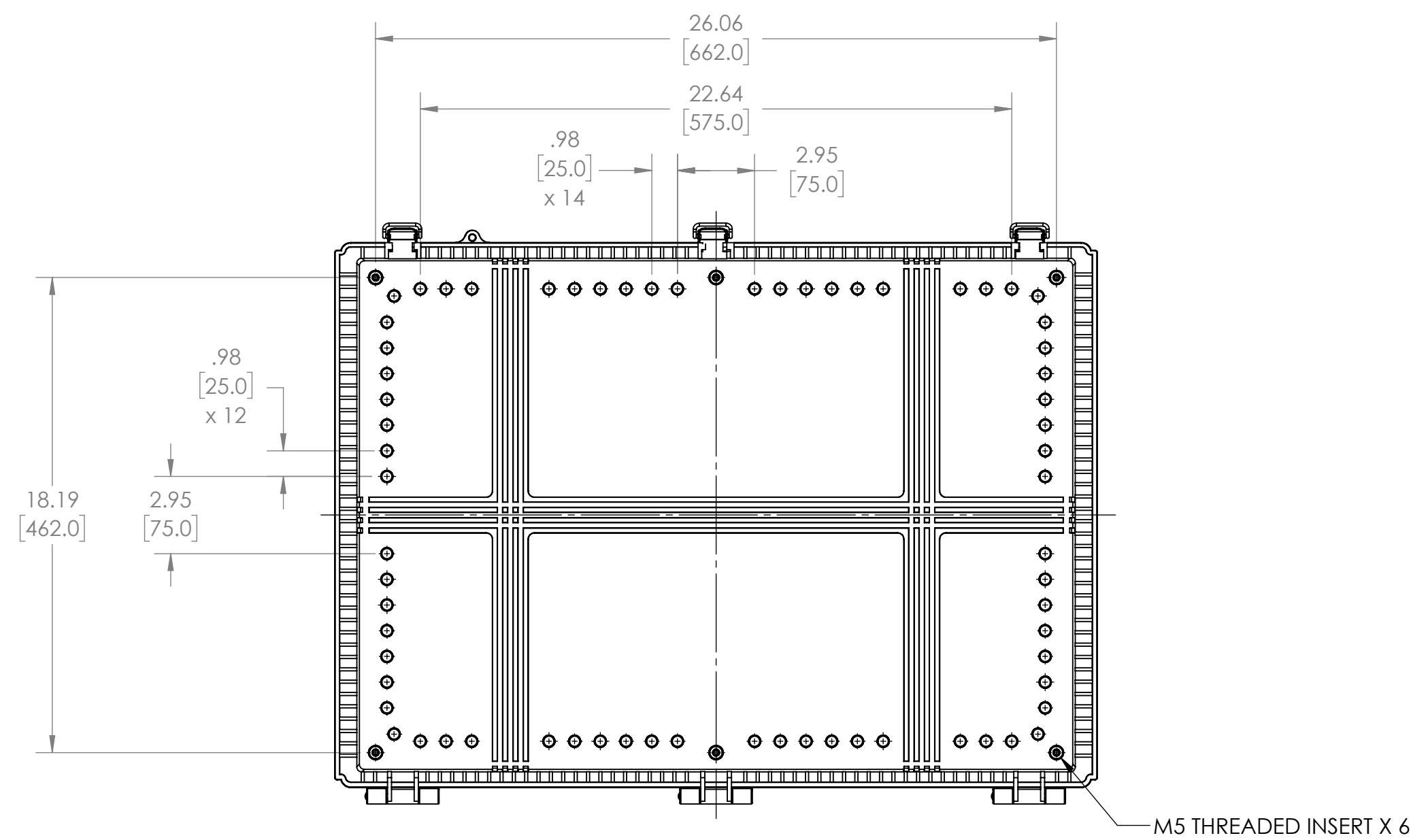
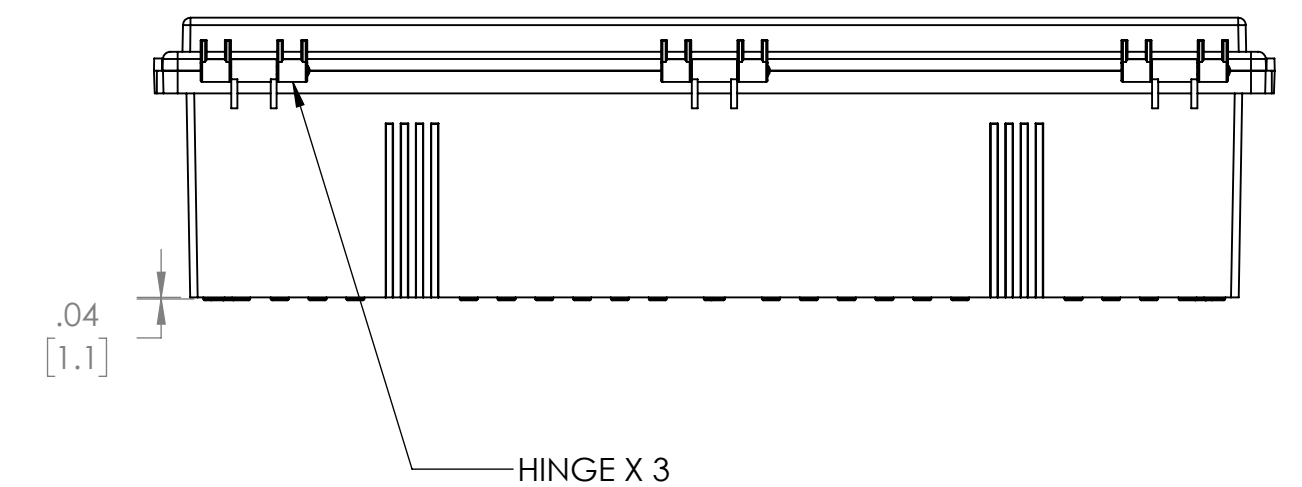
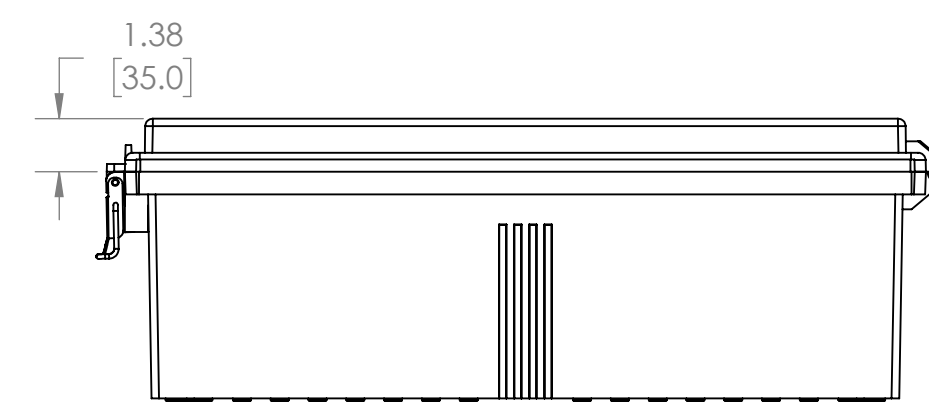
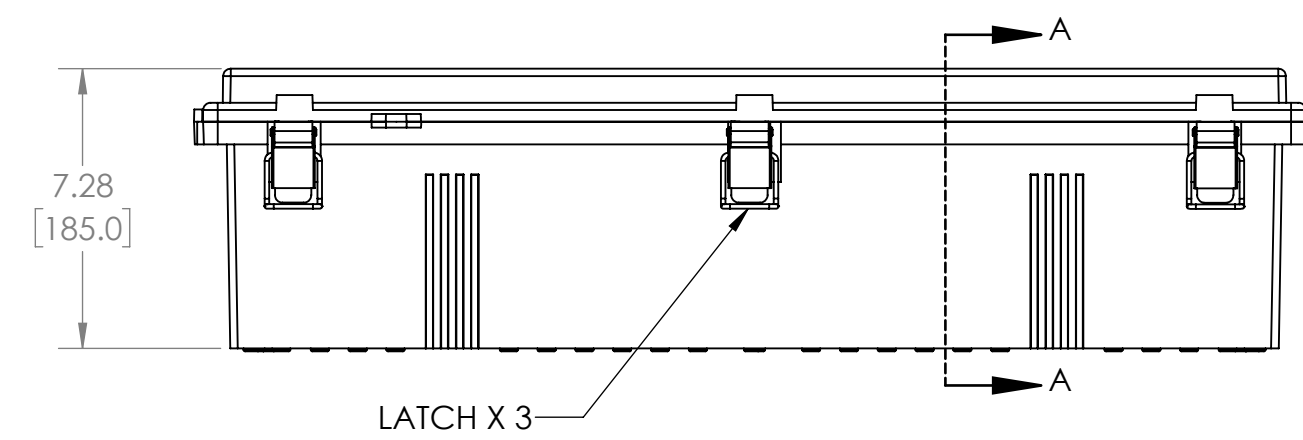


COVER NOT SHOWN



SECTION A-A  
SCALE 1 : 5



NOTES:

1. MATERIAL: BODY - POLYCARBONATE 10% FIBERGLASS REINFORCED  
COVER - POLYCARBONATE  
UL508 /NEMA TYPE 4X WITH IP-67 TUV RATING & UL-94V0 RATING
2. FINISH: BODY - LIGHT GRAY  
COVER - LIGHT GRAY OR CLEAR (-C)
3. CONTINUOUS GASKET IN COVER
4. SUPPLIED WITH SIX M5 x 9mm LG. TRUSS HEAD MACHINE SCREWS
5. DIMENSIONS ARE INCH [MM]

**DRAWING FOR REFERENCE**

WE RESERVE THE RIGHT TO MAKE CHANGES TO OUR STANDARD PRODUCTS. PLEASE CONSULT WITH BUD INDUSTRIES PRIOR TO USING THIS DRAWING FOR DESIGN PURPOSE.