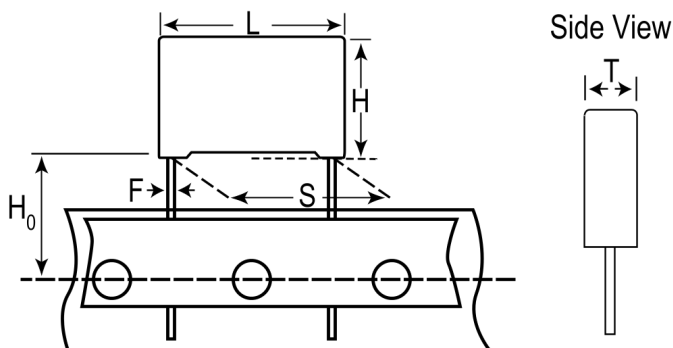


R60GF3680DQ6AJ

Aliases (60GF3680DQ6AJ)

R60, Film, Metallized Polyester Stacked, Automotive Grade, 0.68 uF, 5%, 160 VDC, 85°C, Lead Spacing = 10mm



Click [here](#) for the 3D model.

Dimensions

L	13mm +0.2mm
H	12mm +0.1mm
T	6mm +0.2mm
S	10mm +/-0.4mm
H0	18.5mm +/-0.5mm
F	0.6mm +/-0.05mm

Packaging Specifications

Packaging	Ammo, 360x340x59mm, Box
Packaging Quantity	680

General Information

Series	R60
Dielectric	Metallized Polyester Stacked
Style	Radial
Features	Automotive Grade, DC Multipurpose Applications
RoHS	Yes
Lead	Wire Leads
Qualifications	AEC-Q200
AEC-Q200	Yes
Miscellaneous	Upper Operating Temperature Of 125C Is Allowed For A Maximum Operating Time Of 1,000 Hours. Above 85C, DC And AC Voltage Derating Is 1.25%/C.

Specifications

Capacitance	0.68 uF
Capacitance Tolerance	5%
Voltage AC	90 VAC
Voltage DC	160 VDC
Temperature Range	-55/+105°C
Rated Temperature	85°C
Dissipation Factor	1% 1kHz
Insulation Resistance	10 GOhms
Max dV/dt	100 V/us
Inductance	9 nH