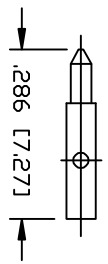
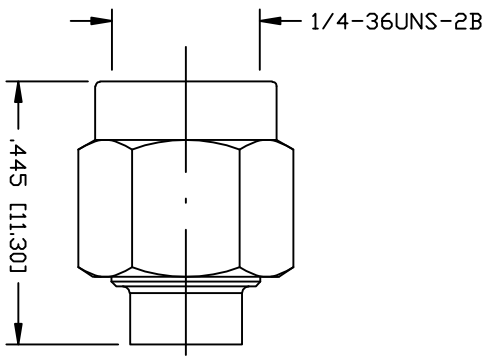
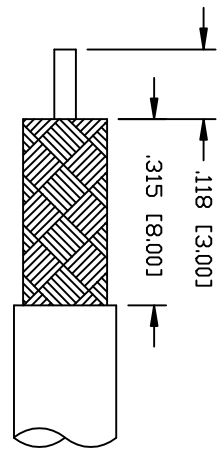


PART NO. **RSA-3500-SR2LP**

REV	DESCRIPTION	DWN	DATE	APPROVED
B	CHANGED PIN PLATING		CZS 01/27/17	JDMc



SOLDER ONLY



RECOMMENDED STRIPING DIMENSIONS

SPECIFICATIONS:

IMPEDANCE: 50 Ohms  
 FREQUENCY RANGE: 0-12.4 GHz  
 VSWR: 1.3 MAX.  
 3RD ORDER IM: S155dBc @ 700 MHz  
 INSULATION RESISTANCE: 5k M Ohms min.  
 TEMPERATURE RANGE: -65°C TO 165°C  
 FOR .141 SEMI RIGID, RG-402/U & BELDEN 1673A CABLE  
 FOR LOW PIM APPLICATIONS USE TFT-402 CABLE

1	BODY	1	BRASS	WHITE BRONZE
2	RETAINING RING	1	BRASS	WHITE BRONZE
3	INSULATOR	1	PTFE	---
4	SHELL	1	BRASS	WHITE BRONZE
5	PIN	1	BRASS	SILVER
6	GASKET	1	SI RUBBER	---
#	DESCRIPTION	QTY	MATERIAL	FINISH

CUSTOMER  
 OUTLINE DRAWING  
 ALL DIMENSIONS  
 ARE REFERENCE ONLY  
 UNLESS OTHERWISE SPECIFIED:  
 DIMENSIONS ARE IN INCHES  
 AND [MILLIMETERS]

DESIGN  
 C. ZUNIGA  
 CHECKED  
 C. ZUNIGA  
 01/27/17  
 12/15/15

**R O H S**  
**COMPLIANT**

PROPRIETARY AND CONFIDENTIAL  
 THIS DRAWING CONTAINS  
 INFORMATION PROPRIETARY TO  
 RF INDUSTRIES. ANY  
 UNAUTHORIZED USE OF THIS  
 DRAWING IS EXPRESSLY  
 PROHIBITED WITHOUT WRITTEN  
 PERMISSION FROM RF  
 INDUSTRIES. ANY VIOLATION IS  
 PUNISHABLE UNDER U.S.  
 COPYRIGHT LAWS.

**RF Industries**  
 DIVISION OF RF INDUSTRIES, LTD.  
 7610 MIRAMAR RD.  
 SAN DIEGO, CA 92126  
 (858) 549-6340  
 (858) 549-6346 FAX

**SMA PLUG, SOLDER**

SIZE: CABLE GROUP: DWG NO. REV/  
 A SR2 RSA-3500-SR2LP B  
 SCALE: NTS ENGINEERING ID: 000000 SHEET 1 OF 1