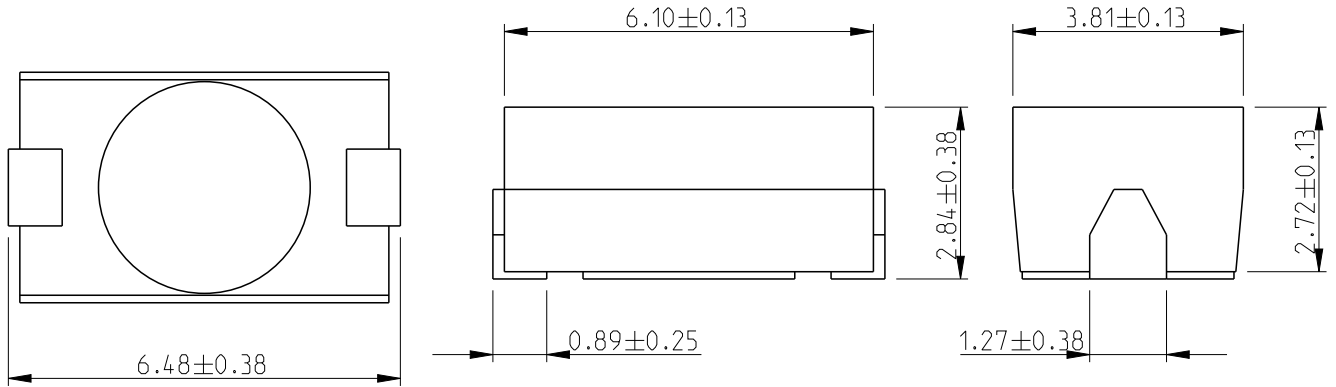
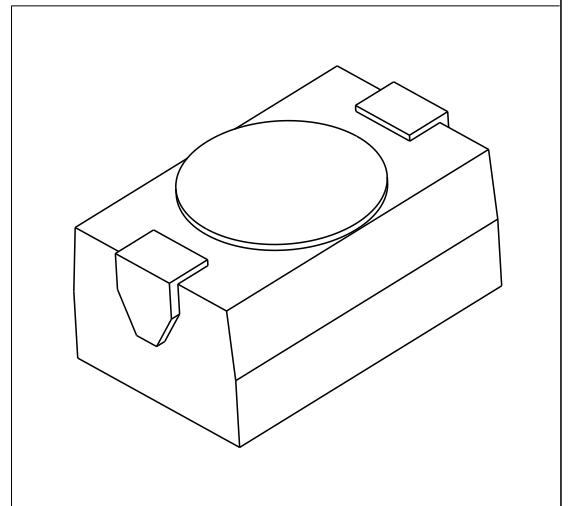
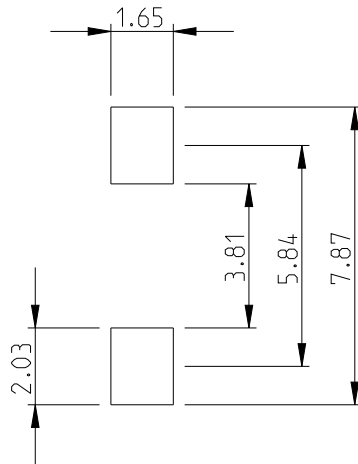


| REVISIONS | | | | | |
|-----------|-----|---------------|------------|-----|------|
| P | LTR | DESCRIPTION | DATE | DWN | APVD |
| | BA | NEW RELEASE | 10JULY2010 | PT | St.P |
| | BA1 | ECR-13-018622 | 28NOV2013 | KR | TN |
| | | | | | |

FOR FURTHER INFORMATION SEE DATA SHEET FOR SERIES S - SMD MOULDED POWER RESISTOR



RECOMMENDED LAND PATTERN



2008


RELEASED FOR PUBLICATION

ALL RIGHTS RESERVED.

THIS DRAWING IS UNPUBLISHED.

BY -

© COPYRIGHT 2008

| | | | | | | | |
|---|--|----------------------------------|--|--------------------|-------------------------|--------------------|------------|
| DIMENSIONS: mm | | DWN PARUSURAM.T 10JULY2010 | MATERIAL - | FINISH - | | | |
| TOLERANCES UNLESS OTHERWISE SPECIFIED: | | CHK ALLAN.P 10JULY2010 |  TE Connectivity | | | | |
| 0 PLC ± 0.2 1 PLC ± 0.1 2 PLC \pm 3 PLC \pm 4 PLC \pm ANGLES $\pm 5^\circ$ | | APVD STEPHEN.P 10JULY2010 | | | | | |
| | | PRODUCT SPEC - | NAME SMD PRECISION CURRENT SENSE RESISTOR SERIES SL1 | | | | |
| | | APPLICATION SPEC - | SIZE A 4 | CAGE CODE 00779 | DRAWING NO C=1624254 | RESTRICTED TO - | |
| | | WEIGHT - | Customer Drawing | | SCALE 8:1 | SHEET 1 OF 1 | REV BA1 |