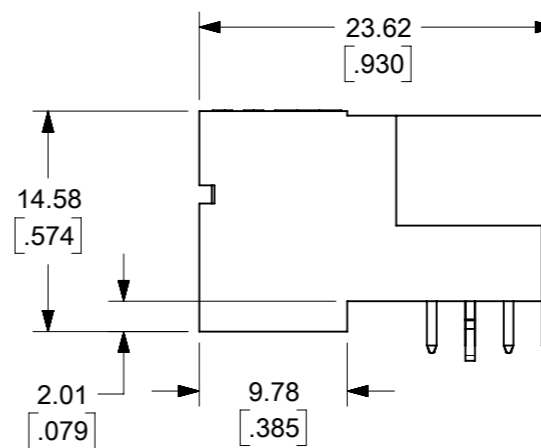
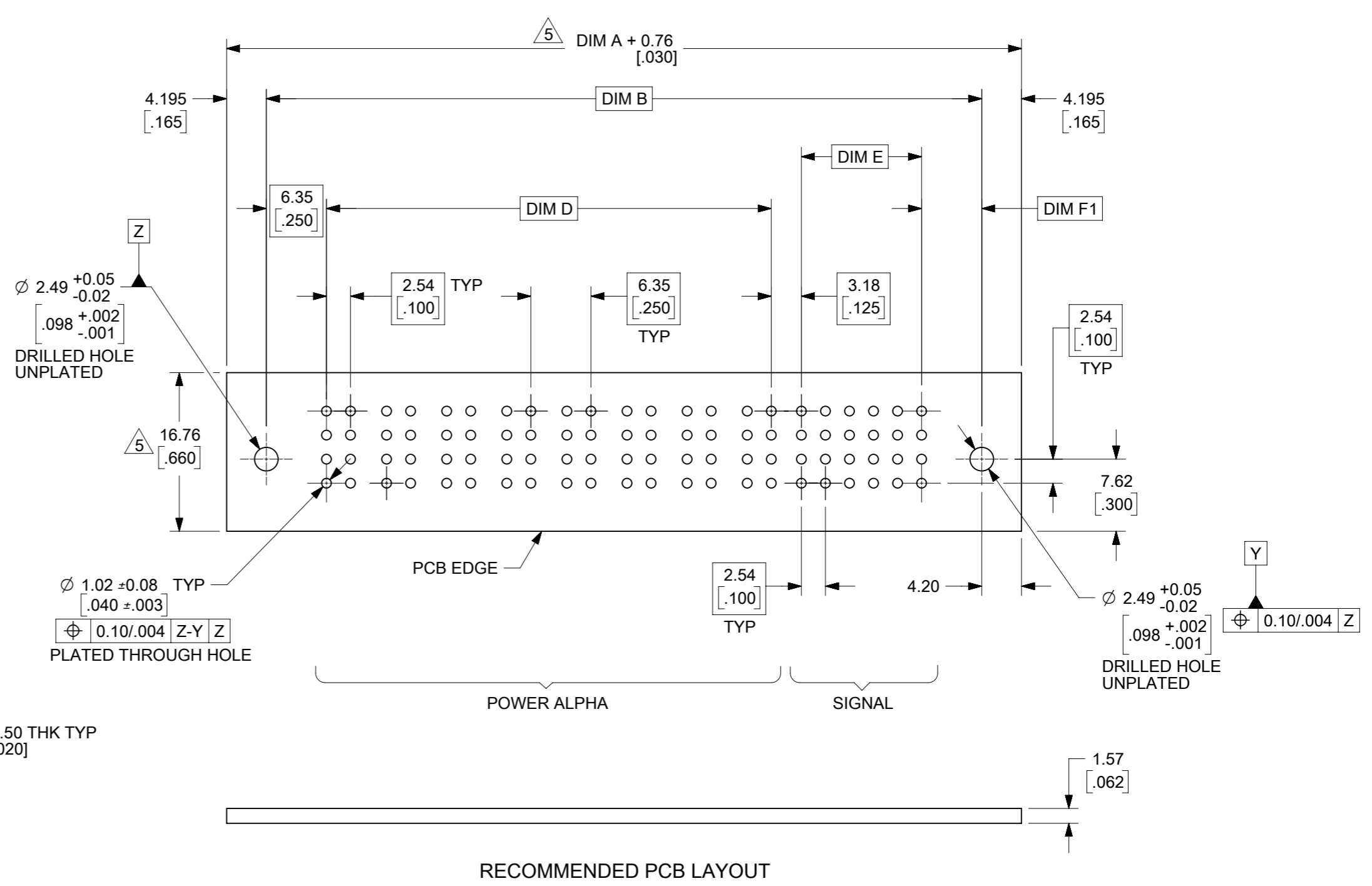
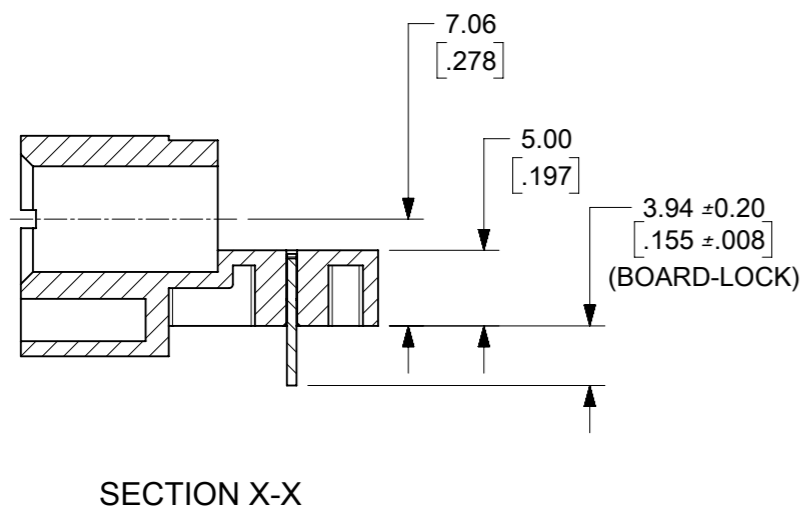
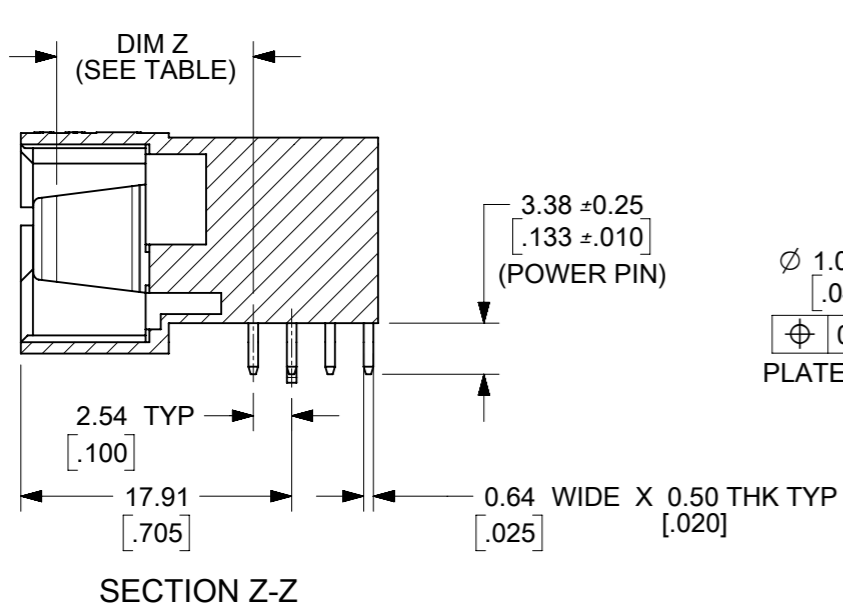
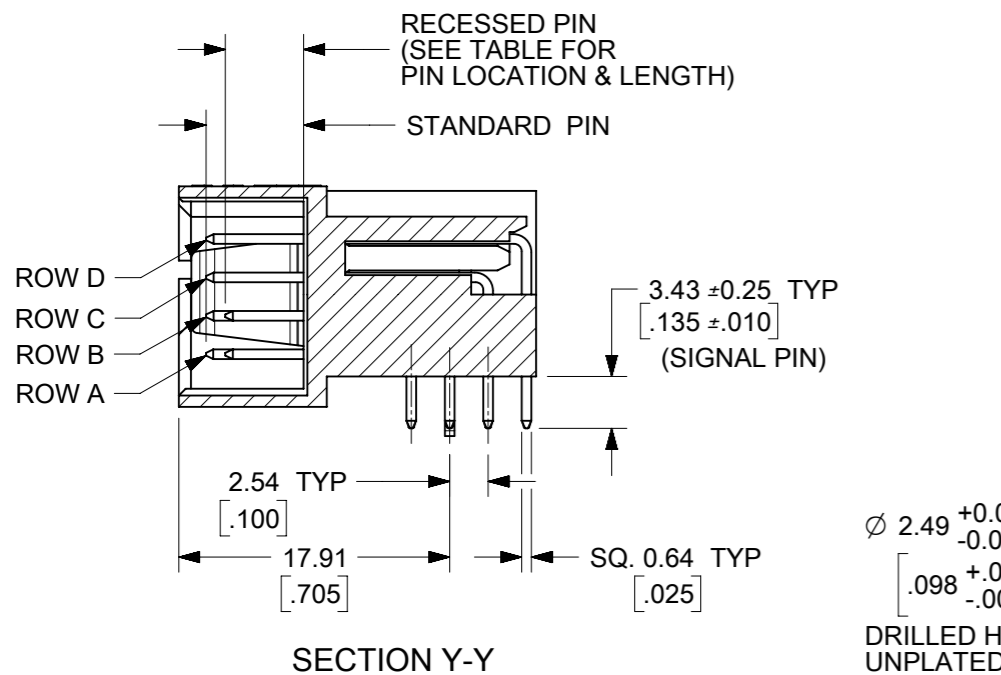


3-D VIEW OF  
8 POWER-28 SIGNAL  
FOR ILLUSTRATION



- NOTES:
- MATERIALS: HOUSING - LCP, GLASS FILLED, UL 94V-0, COLOUR: BLACK  
POWER PINS - COPPER ALLOY  
SIGNAL PINS - COPPER ALLOY  
BOARDLOCK - COPPER ALLOY
  - FINISHES : POWER AND SIGNAL PINS :  
SELECTIVE GOLD IN THE CONTACT AREA.  
THICKNESS = 0.76 MICROMETER / 30 MICROINCH MINIMUM  
SELECTIVE TIN IN THE PC TAIL AREA  
THICKNESS = 2.54 MICROMETER / 100 MICROINCH MINIMUM  
1.27µm NICKEL OVERALL
  - PRODUCT SPECIFICATION : PS-87631-006
  - SEE SHEET 2 FOR RECOMMENDED PCB LAYOUT AND THICKNESS.
  - COMPONENT STAY AWAY ZONE FROM CONNECTOR.
  - MANUFACTURER LOGO, PART NUMBER AND YEAR-WEEK CODE.
  - 8 POWER ALPHA - 24 SIGNAL IS SHOWN FOR ILLUSTRATION .  
CONNECTOR CONFIGURATION IS AVAILABLE UP TO 203MM/INCH.  
PLEASE CONTACT MOLEX SALES PERSONNEL FOR OTHER  
CONFIGURATION AND OPTION NEEDED.

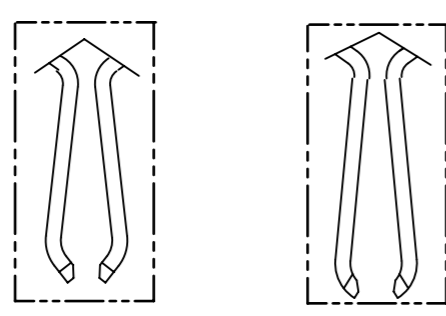
THIS DRAWING CONTAINS INFORMATION THAT IS PROPRIETARY TO MOLEX ELECTRONIC TECHNOLOGIES, LLC AND SHOULD NOT BE USED WITHOUT WRITTEN PERMISSION									
DIMENSION UNITS		SCALE		CURRENT REV DESC: OBSOLETE PART NO					
MM/IN		NTS		<p>HEADER POWER CONNECTOR P-S CONFIG, R/A, T/H WITH BOARD-LOCK</p> <p>PRODUCT CUSTOMER DRAWING</p>					
GENERAL TOLERANCES (UNLESS SPECIFIED)									
		MM	INCH						
4 PLACES	±								
3 PLACES	±	0.01							
2 PLACES	±	0.25		EC NO: 618848		2018/07/17		DOCUMENT NUMBER	
1 PLACE	±			DRWN: AKUMAR19		2019/09/05		SD-87696-014	
0 PLACES	±			CHK'D: GGA		2019/09/05		DOC TYPE	DOC PART
ANGULAR TOL ± 3.0°				APPR: GGA		2019/09/05		001	E
DRAFT WHERE APPLICABLE MUST REMAIN WITHIN DIMENSIONS				THIRD ANGLE PROJECTION		DRAWING		SHEET NUMBER	
				A3-SIZE		87696		1 OF 3	



THIS DRAWING CONTAINS INFORMATION THAT IS PROPRIETARY TO MOLEX ELECTRONIC TECHNOLOGIES, LLC AND SHOULD NOT BE USED WITHOUT WRITTEN PERMISSION

DIMENSION UNITS		SCALE		CURRENT REV DESC: OBSOLETE PART NO				<b>molex</b>			
MM/IN		NTS									
GENERAL TOLERANCES (UNLESS SPECIFIED)							HEADER POWER CONNECTOR P-S CONFIG, R/A, T/H WITH BOARD-LOCK				
4 PLACES	±		±	EC NO: 618848		2018/07/17		PRODUCT CUSTOMER DRAWING			
3 PLACES	±		± 0.01	DRWN: AKUMAR19		2019/09/05		DOCUMENT NUMBER			
2 PLACES	±	0.25	±	CHK'D: GGA		2019/09/05		SD-87696-014			
1 PLACE	±		±	APPR: GGA		2019/09/05		DOC TYPE DOC PART REVISION			
0 PLACES	±		±	INITIAL REVISION:		2002/11/21		PSD 001 E			
ANGULAR TOL			± 3.0°	DRWN: BHLOW		2002/11/27		MATERIAL NUMBER			
DRAFT WHERE APPLICABLE MUST REMAIN WITHIN DIMENSIONS				THIRD ANGLE PROJECTION		DRAWING		SERIES		CUSTOMER	
				A3-SIZE		87696		SEE TABLE		GENERAL MARKET	
										SHEET NUMBER	
										2 OF 3	

PART NUMBER	P-S CONFIGURATION		DIM A	DIM B	DIM C	DIM D	DIM E	DIM F	DIM F1	POWER BLADE OPTIONS		STANDARD PIN LOCATION			RECESSED PIN LOCATION			VOID PIN LOCATION	PACKAGING
	POWER ALPHA	SIGNAL								TYPE	DIM Z ±0.13/.005	ROW	COLUMN	LENGTH	ROW	COLUMN	LENGTH		
87696-2004	4	16	$\frac{52.71}{2.075}$	$\frac{45.09}{1.775}$	$\frac{43.81}{1.725}$	$\frac{21.59}{.850}$	$\frac{7.62}{.300}$	$\frac{5.72}{.225}$	$\frac{6.35}{.250}$	LONG CONTACT	14.12/.556	D C B A	ALL	6.86/.270	A	1	5.59/.220	NIL	TRAY
87696-2010	8	28	$\frac{85.09}{3.350}$	$\frac{77.47}{3.050}$	$\frac{76.20}{3.000}$	$\frac{46.99}{1.850}$	$\frac{15.24}{.600}$	$\frac{5.08}{.200}$	$\frac{5.72}{.225}$	LONG CONTACT	14.12/.556	D C B A	1,2,3,4	6.86/.270	D C B A	1,2,3,4,5,6,7 1,2,3,4,5,6,7 1,2,3,4,5,6,7 5,6,7	5.59/.220	NIL	TRAY



SHORT BLADE OPTION      LONG BLADE OPTION

DETAIL R  
(SEE TABLE FOR BLADE OPTION)

THIS DRAWING CONTAINS INFORMATION THAT IS PROPRIETARY TO MOLEX ELECTRONIC TECHNOLOGIES, LLC AND SHOULD NOT BE USED WITHOUT WRITTEN PERMISSION											
DIMENSION UNITS		SCALE		CURRENT REV DESC: OBSOLETE PART NO						<b>molex</b>	
MM/IN		NTS									
GENERAL TOLERANCES (UNLESS SPECIFIED)				EC NO: 618848						HEADER POWER CONNECTOR P-S CONFIG, R/A, T/H WITH BOARD-LOCK	
				DRWN: AKUMAR19      2018/07/17							
4 PLACES ±				CHK'D: GGA      2019/09/05						PRODUCT CUSTOMER DRAWING	
3 PLACES ±				APPR: GGA      2019/09/05							
2 PLACES ± 0.25				INITIAL REVISION:						DOCUMENT NUMBER	
1 PLACE ±				DRWN: BHLOW      2002/11/21							
0 PLACES ±				APPR: SKTOH      2002/11/27						SD-87696-014	
ANGULAR TOL ± 3.0°				THIRD ANGLE PROJECTION		DRAWING		SERIES		MATERIAL NUMBER	
DRAFT WHERE APPLICABLE MUST REMAIN WITHIN DIMENSIONS						A3-SIZE		87696		SEE TABLE	
CUSTOMER		GENERAL MARKET		SHEET NUMBER		3 OF 3					