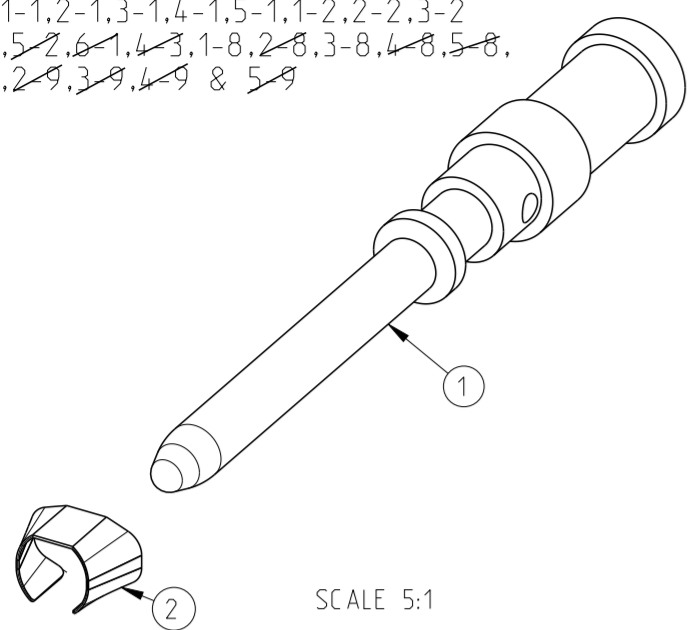


REVISIONS					
P	LTR	DESCRIPTION	DATE	DWN	APVD
B13		Released As per ECR-09-005436	9-Mar-2009	CJ	TS
B14		ECR-11-002636	05APR2011	SR	AR
B15		REVISED PER ECR-16-016780	19AUG2017	NG	MKO
B16		REVISED PER ECR-21-123503	12MAR2022	RK	JB

PN 1-1.2-1.3-1.4-1.5-1.1-2.2-2.3-2
~~4-2.5-2.6-1.4-3.1-8.2-8.3-8.4-8.5-8.~~
~~4-9.2-9.3-9.4-9 & 5-9~~

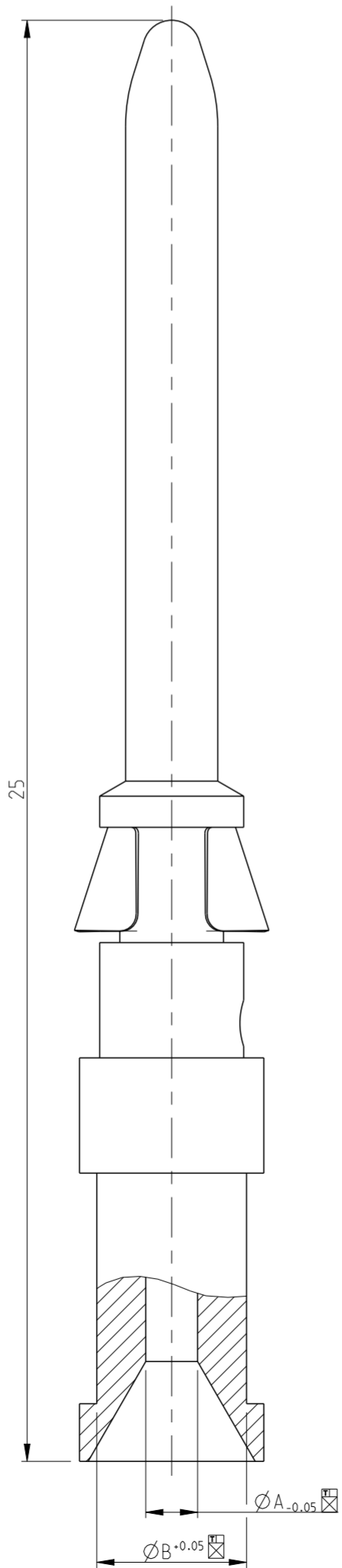
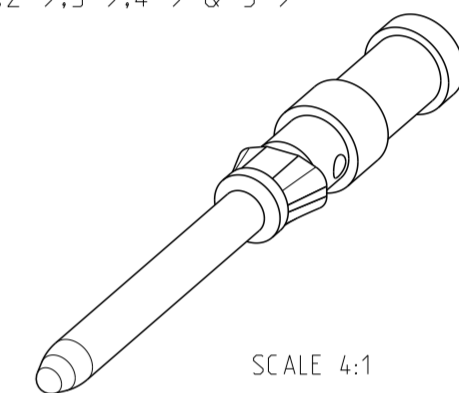


NOTES

- 1 MATERIAL SEE TABLE
- 2 SURFACE SEE TABLE
- 3 ASSEMBLY WEIGHT SEE TABLE
- 4 PACKAGING: 50 PIECES IN POLY-BAG 0-1243085-8
- 5 PACKAGING: 500 PIECES IN POLY-BAG 0-1243085-8
- 6 PACKAGING: 10 PIECES IN POLY-BAG 0-1243085-8
- 7 CROSS-SECTION MARKING

PN 1-1.2-1.3-1.4-1.5-1.1-2.2-2.3-2
~~4-2.5-2.6-1.4-3.1-8.2-8.3-8.4-8.5-8.~~
~~4-9.2-9.3-9.4-9 & 5-9~~

PN 1-1.2-1.3-1.4-1.5-1.1-2.2-2.3-2
~~4-2.5-2.6-1.4-3.1-8.2-8.3-8.4-8.5-8.~~
~~4-9.2-9.3-9.4-9 & 5-9~~



QTY	DESCRIPTION	WEIGHT IN (KG)	MATERIAL	SURFACE	ϕA	ϕB	CROSS SECTION MARKING	POS
1	Catch Spring		Stainless Steel					2
1	Pin Contact 1.5 mm ²	0.00062	Ms/Brass	Ag/Ni	1.8	3.0		4
1	Pin Contact 4.0 mm ²	0.00059	Ms/Brass	Ag/Ni	2.4	3.2		6
1	Pin Contact 2.5 mm ²	0.00067	Ms/Brass	Au	2.2	3.2		5
1	Pin Contact 1.5 mm ²	0.00067	Ms/Brass	Au	1.8	3.0		4
1	Pin Contact 0.75-10 mm ²	0.00063	Ms/Brass	Au	1.45	2.6		3
1	Pin Contact 0.5 mm ²	0.00062	Ms/Brass	Au	1.1	2.6		2
1	Pin Contact 0.14-0.37 mm ²	0.00061	Ms/Brass	Au	0.9	2.6		1
1	Pin Contact 2.5 mm ²	0.00065	Ms/Brass	Ag/Cu	2.2	3.2		5
1	Pin Contact 1.5 mm ²	0.00067	Ms/Brass	Ag/Cu	1.8	3.0		4
1	Pin Contact 0.75-10 mm ²	0.00063	Ms/Brass	Ag/Cu	1.45	2.6		3
1	Pin Contact 0.5 mm ²	0.00062	Ms/Brass	Ag/Cu	1.1	2.6		2
1	Pin Contact 0.14-0.37 mm ²	0.00061	Ms/Brass		0.9	2.6		1
1	Pin Contact 0.14-0.37 mm ²	0.00065	Fe	Au	0.9	2.6		1
1	Pin Contact 0.14-0.37 mm ²	0.00067	Ms/Brass	Ag/Cu	0.9	2.6		1

THIS DRAWING IS A CONTROLLED DOCUMENT.

DIMENSIONS: mm

TOLERANCES UNLESS OTHERWISE SPECIFIED:

ISO 2768 MS

0 -0.15

1 -0.25

2 -0.35

3 -0.45

4 -0.55

ANGLES ±°

FINISH

MATERIAL

1

2

DWN Braun 23.07.1997

CHK Schurpfeil 23.07.1997

APVD

PRODUCT SPEC 108-74018

APPLICATION SPEC 114-74015

WEIGHT

CUSTOMER DRAWING

NAME PIN CONTACT SERIES HN.D

SIZE A2

CAGE CODE 100779

DRAWING NO C-1105050

RESTRICTED TO

SCALE 10:1

SHEET 1 OF 1

REV B16