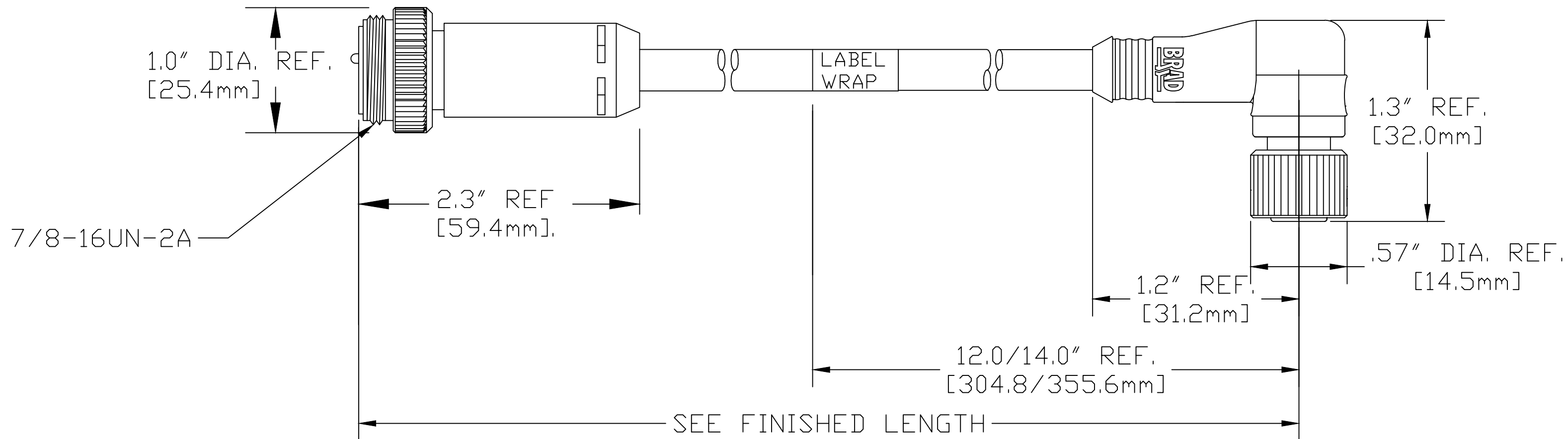


13	12	11	10	9	8	7	6	5	4	3	2	1
MATERIAL NUMBER	OLD PART NUMBER	FINISHED LENGTH										
1300390259	DNDF31A-M010	3.28' +3.50" -0 [1.0M +88.9mm -0]										



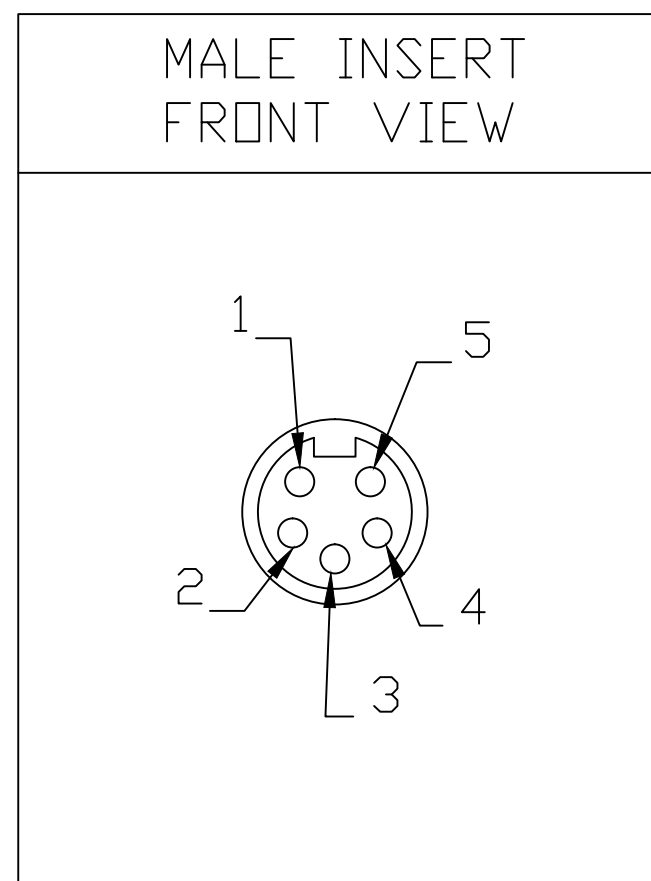
DNDF31A-M010

Cable type
DEVICENET
FLEX DROP

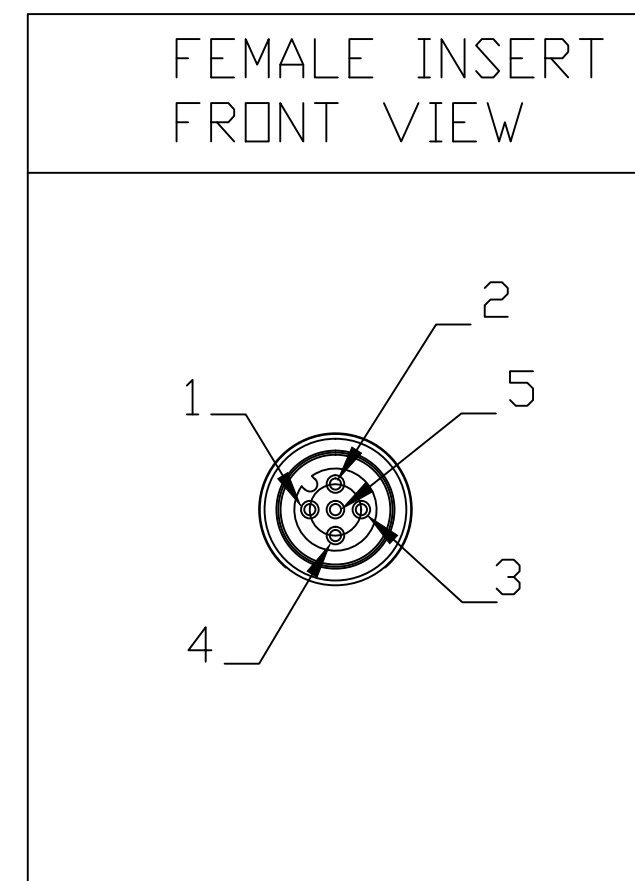
cable length
M010----1 Meter
M100----10 Meter

1	DRAIN	1
2	RED	2
3	BLACK	3
4	WHITE	4
5	BLUE	5

WIRING DIAGRAM



CONTACT:	GOLD/NICKEL OVER COPPER ALLOY
INSERT:	PVC, GRAY
COUPLING NUT:	ZINC DIE CAST, BLACK E-COATED
MOLDED BODY:	RITFLEX, GRAY
VOLTAGE RATING:	300 VAC/VDC
AMPERAGE RATING:	4 AMPS
PROTECTION:	IP67
OPERATING TEMPERATURE:	-20°C TO 80°C
CERTIFICATIONS:	UL RECOGNIZED FILE NO. E152210 CSA CERTIFIED FILE NO. LR6837



INITIAL RELEASE EC NO: IPG2014-0457 DRWN: GGUSTAFS 2013/08/30 CH'KD: BARDEN APPR: BWOODMAN 2013/10/07 REV A	QUALITY SYMBOL ▽=0 ▽=0	GENERAL TOLERANCES (UNLESS SPECIFIED) mm INCH 4 PLACES ±--- ±--- 3 PLACES ±--- ±.005 2 PLACES ±0.13 ±.010 1 PLACE ±0.25 ±.020 ANGULAR ±.5° DRAFT WHERE APPLICABLE MUST REMAIN WITHIN DIMENSIONS	DIMENSION STYLE IN/MM DRAWN BY DATE EBRACKEN 2013/06/18 CHECKED BY DATE BARDEN 2013/09/12 APPROVED BY DATE BWOODMAN 2013/10/07 MATERIAL NO. SEE CHART SIZE C	SCALE NTS DESIGN UNITS INCH THIRD ANGLE PROJECTION TITLE MIC /MC CHANGE DEVICENET 5 POL 90D MALE/ST FEMALE 22/24 DROP CABLE GRY TPE MOLEX INCORPORATED DOCUMENT NO. SD-130039-049 SHEET NO. 1 OF 1
	THIS DRAWING CONTAINS INFORMATION THAT IS PROPRIETARY TO MOLEX INCORPORATED AND SHOULD NOT BE USED WITHOUT WRITTEN PERMISSION			