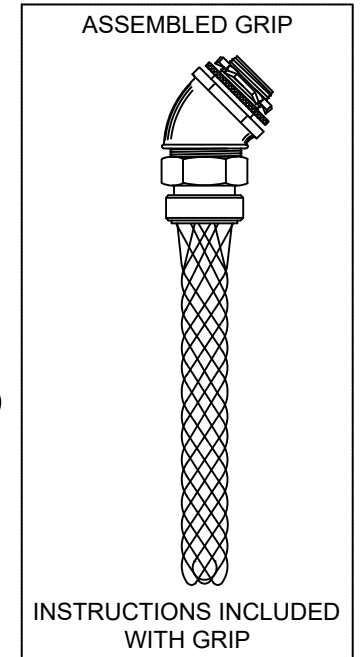
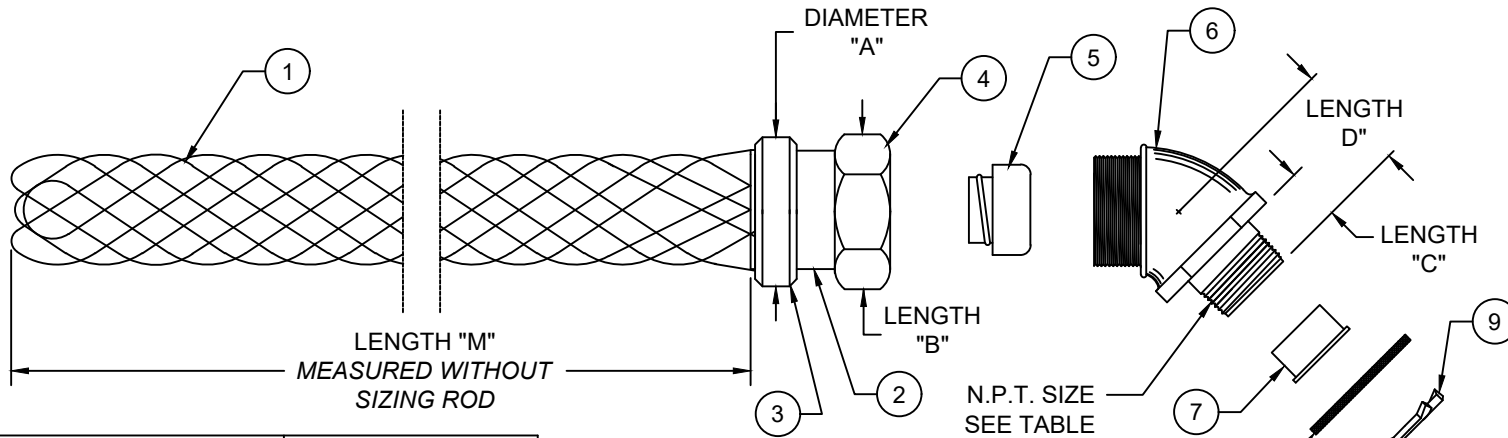


COOPER CATALOG NUMBER	MATERIAL NUMBER	CONDUIT SIZE	N.P.T. FITTING SIZE	LENGTH "M"	DIAMETER "A" REF.	LENGTH "B" REF.	LENGTH "C" REF.	LENGTH "D" REF.	PRODUCT SELECTION NUMBER	UL LISTED	CSA APRVD
36442	1300960057	3/8"	1/2"	3.875±0.500 / 98.43±12.70	1.0 / 25	1.13 / 28.7	0.63 / 16.0	0.88 / 22.4	STB038P-45	YES	YES
36390	1300960044	1/2"	1/2"	4.625±0.500 / 117.48±12.70	1.2 / 30	1.25 / 31.8	0.63 / 16.0	0.88 / 22.4	STB050P-45		
36392	1300960046	1"	1"	7.000±0.500 / 177.80±12.70	1.7 / 43	1.81 / 45.9	0.75 / 19.1	1.38 / 35.1	STB100P-45		
36393	1300960047	1-1/4"	1-1/4"	8.125±1.000 / 206.38±25.40	2.0 / 51	2.31 / 58.7	0.63 / 16.0	1.63 / 41.4	STB125P-45		
36394	1300960048	1-1/2"	1-1/2"	9.250±1.000 / 234.95±25.40	2.5 / 64	2.63 / 66.8	0.63 / 16.0	1.81 / 45.9	STB150P-45		
37036	-----	2-1/2"	2-1/2"	11.250±1.000 / 285.75±25.40	3.6 / 91	3.94 / 100.1	1.06 / 26.9	3.56 / 90.4	STB250P-45		
37037	1300960068	3"	3"	14.750±1.500 / 374.65±38.10	4.3 / 109	4.38 / 111.3	1.19 / 30.2	4.31 / 109.5	STB300P-45		
37038	-----	4"	4"	16.250±1.500 / 412.75±38.10	5.4 / 137	5.50 / 139.7	1.25 / 31.8	4.63 / 117.6	STB400P-45		



ITEM	DESCRIPTION	MATERIAL
1	WIRE MESH	STAINLESS STEEL
2	INNER RING	ZINC PLATED STEEL
3	OUTER RING	ALUMINUM
4	COMPRESSION NUT	ZINC PLATED STEEL OR MALLEABLE IRON
5	FERRULE	ZINC PLATED STEEL OR ALUMINUM
6	THREADED BODY	ZINC PLATED STEEL OR MALLEABLE IRON
7	THROAT INSULATION	PLASTIC
8	GASKET	NEOPRENE
9	LOCK NUT	ZINC PLATED STEEL

FUNCTIONAL SYMBOLS FA=0 FC=0 FE=0	THIS DRAWING CONTAINS INFORMATION THAT IS PROPRIETARY TO MOLEX ELECTRONIC TECHNOLOGIES, LLC AND SHOULD NOT BE USED WITHOUT WRITTEN PERMISSION											
	DIMENSION UNITS		SCALE		CURRENT REV DESC: OBSOLETE PART NUMBER AS PER PCN#510808						<p>molex</p> <p>STRAIN RELIEF</p> <p>LIQUID TIGHT CONDUIT 45 DEGREE-MALE</p>	
	INCH/MM		NTS		GENERAL TOLERANCES (UNLESS SPECIFIED)							
	DIVISIONAL SYMBOLS		mm		INCH		EC NO: 736640		DRWN: SUGEEB		2022/12/21	
		4 PLACES ± ---- ± ----				3 PLACES ± ---- ± 0.005		CHK'D: LIKITV		2023/02/14		
		2 PLACES ± 0.13 ± 0.01				1 PLACE ± 0.25 ± 0.02		APPR: GGA		2023/02/16		
		0 PLACES ± ---- ± ----				ANGULAR TOL ± 0.5 °		INITIAL REVISION:		DOCUMENT NUMBER		
		DRAFT WHERE APPLICABLE MUST REMAIN WITHIN DIMENSIONS		THIRD ANGLE PROJECTION		DRAWING		SERIES		MATERIAL NUMBER		
						A-SIZE		130096		SEE TABLE		
										CUSTOMER		
										GENERAL MARKET		
										SHEET NUMBER		
										1 OF 1		