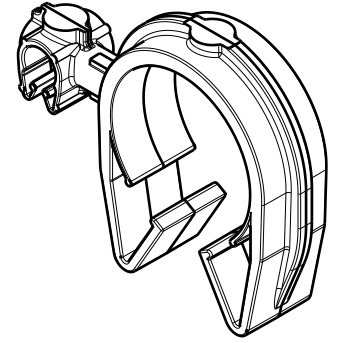
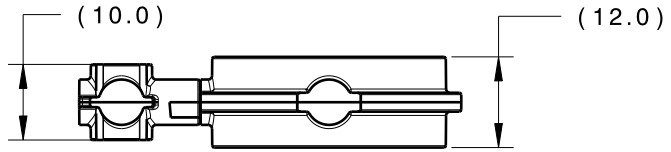
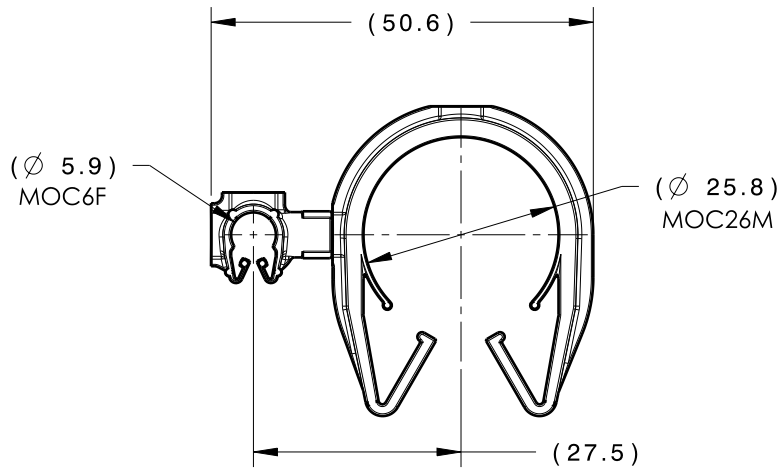


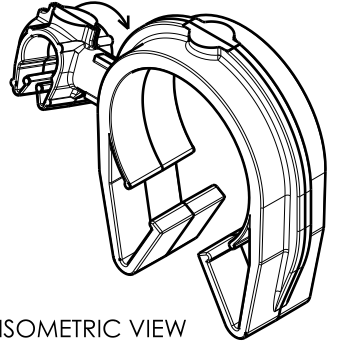
Revision Level			Revision Record	Changed	Date	Approved	Date
Drawing	State	Part					
01.2	DESIGN RELEASE		SEE ECN# 014407	FDS	4/20/18	EJH	4/20/18



ISOMETRIC VIEW



CLIPS ROTATE 360 DEGREES



ISOMETRIC VIEW ROTATED

TYPE	MOC6F	MOC26M
HARNESS	5.5MM-6.5MM	23.0MM-28.5MM
HOSE	5.5MM-6.5MM	23.0MM-28.5MM
HARD PIPE/TUBE	6.0MM-6.8MM	25.9MM-29.0MM

*RECOMMENDED SIZES MAY DIFFER DEPENDING ON THE APPLICATION, PRODUCT REQUIREMENTS AND MATERIALS USED

GLOBAL PART DESCRIPTION 	MOC6F			MOC26M		
	DRAWING	MATERIAL	COLOR	DRAWING	MATERIAL	COLOR
MOC6FMOC26M-PA66HIRHS-BK	16-0314-000-CSU	PA66HIRHS	BLACK	16-0325-000-CSU	PA66HIRHS	BLACK

Material SEE CHART COLOR: SEE CHART	Units millimeters	The copyright of this drawing is reserved by HellermannTyton. It is issued on condition that it is not reproduced, copied or disclosed to a third party, either wholly or in part, without the consent of HellermannTyton.	Drawn TAT 2/21/17	Article/Type-No MOC6FMOC26M	Scale 1:1	
	Tolerance defined on each dimension		Approved EJH 2/28/17	Title  6MM MOC COUPLED TO A 26MM MOC	Project Number 16-0326	
			 North America Email: corp@htamericas.com Web: www.hellermann.tyton.com		Drawing-No 16-0326-188-CSU 	Format AH
					PRODUCTION : Phase	Sheet 1/1